

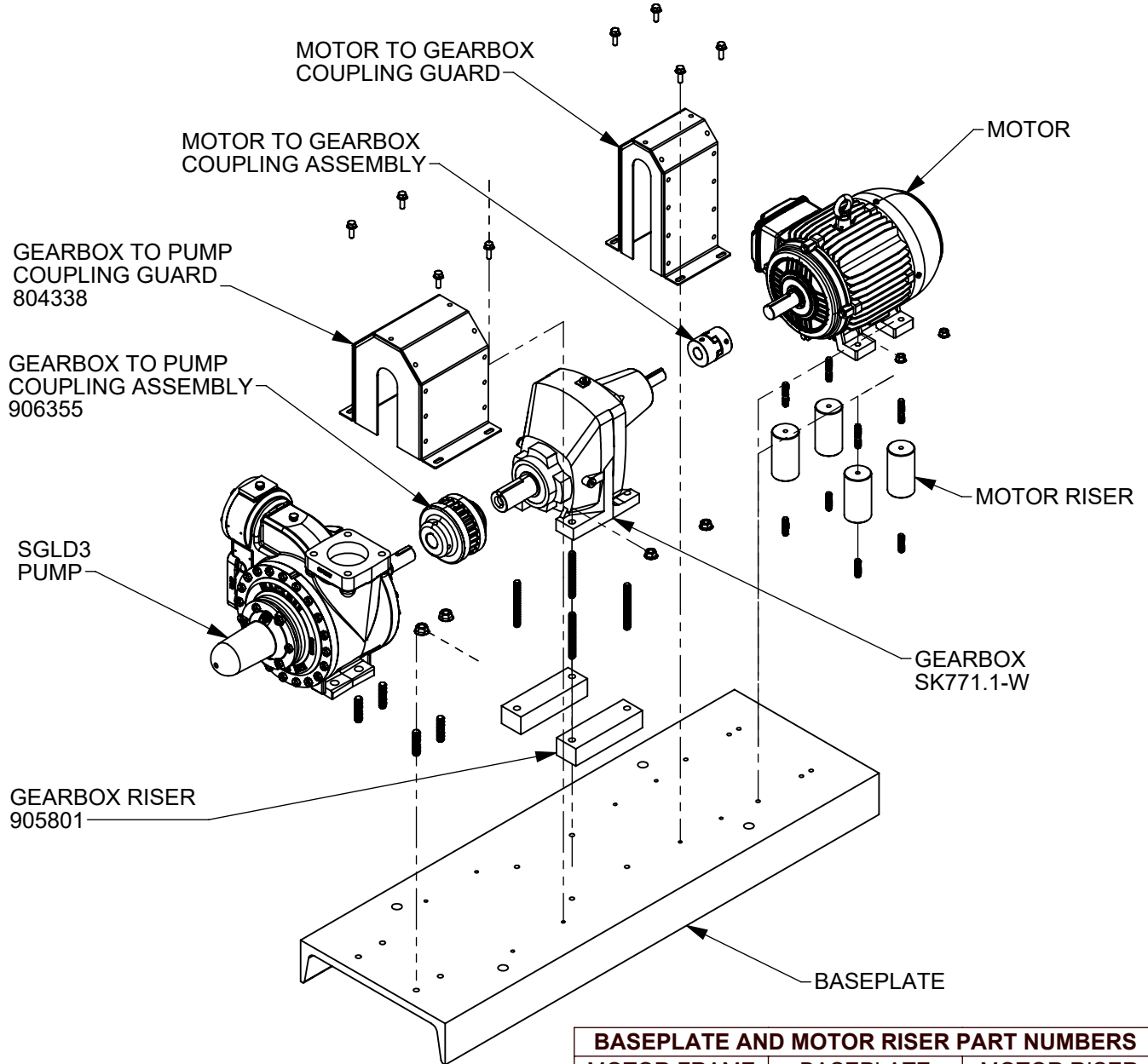


TYPE	SIZE	UNIT STYLE
SGL	3	SK771

DIMENSIONS 801-H12	
Section Effective Replaces Page 1 / 1	801 Dec 2023 Sept 2023

RIGHT HAND ROTATION SHOWN. FOR LEFT HAND ROTATION, SHAFT IS OPPOSITE THAT SHOWN.

MOUNTING STYLE: LONG COUPLED



BASEPLATE AND MOTOR RISER PART NUMBERS		
MOTOR FRAME	BASEPLATE	MOTOR RISER
182T/184T	901458	905812
213T/215T	901460	905818
254T/256T	901462	905824
COUPLING AND GUARD PART NUMBERS		
MOTOR FRAME	MOTOR TO GEARBOX COUPLING ASSY	MOTOR TO GEARBOX COUPLING GUARD
182T/184T	906310	804314
213T/215T	906311	804314
254T/256T	906309	804323

NORD SK771.1-W GEARBOX PART NUMBERS		
RATIO	SPEEDS 60Hz/50Hz	PART NUMBER
2.65:1	NA / 547 RPM	803108
3.38:1	518 RPM / 429 RPM	803109
3.75:1	467 RPM / 387 RPM	813132
4.14:1	423 RPM / 350 RPM	803110
4.96:1	353 RPM / 292 RPM	803111