



HD362C PARTS LIST

(See Instructions 901-B00 for Operation and Maintenance)

Serial # _____

ID# _____

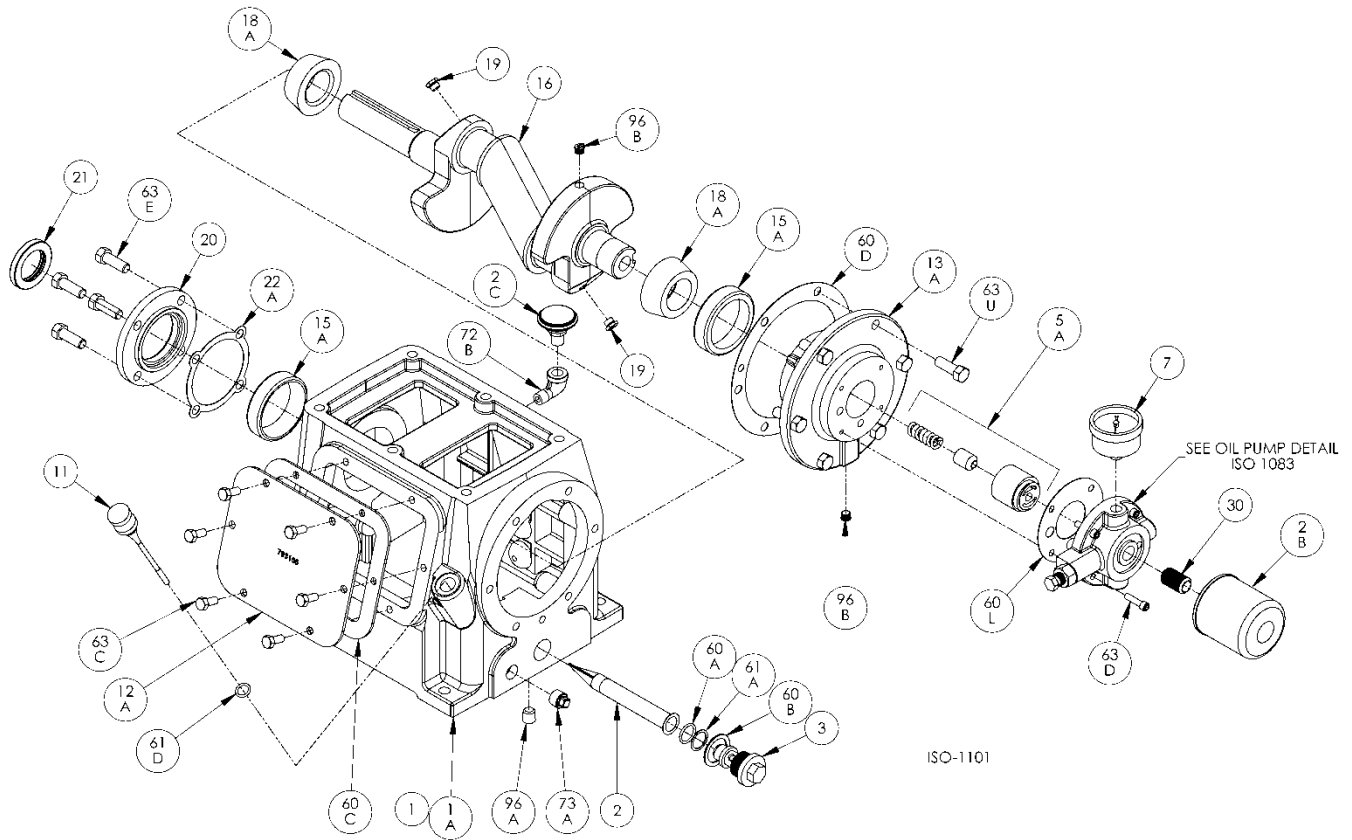
Gasket Sets and Special Tools

Gasket Set	Buna-N & Iron	793597
	PTFE & Iron	793596
	FKM & Iron	793595
	Neoprene & Iron	793591
	Ethylene Propylene & Iron	793588
Packing Installation Tool		790536
Spanner Wrench, 1/4" Adjustable		790316
Wrench for Valve Holdown Screw		790535
Piston Torque Tool		798004
Tool Kit		790199

Table of Contents

Cover Page	1
Crankcase	2
Oil Pump	3
Flywheel	4
Crosshead	5
Cylinder	6
Head	7
Head with Unloaders	8-9

Notes:



Crankcase Assembly:

Models HDL342B, HDL343B, HDL342C, HDL343C, HDL322C, HDL323C
 HDL362B, HDL363B, HDL362C, HDL363C

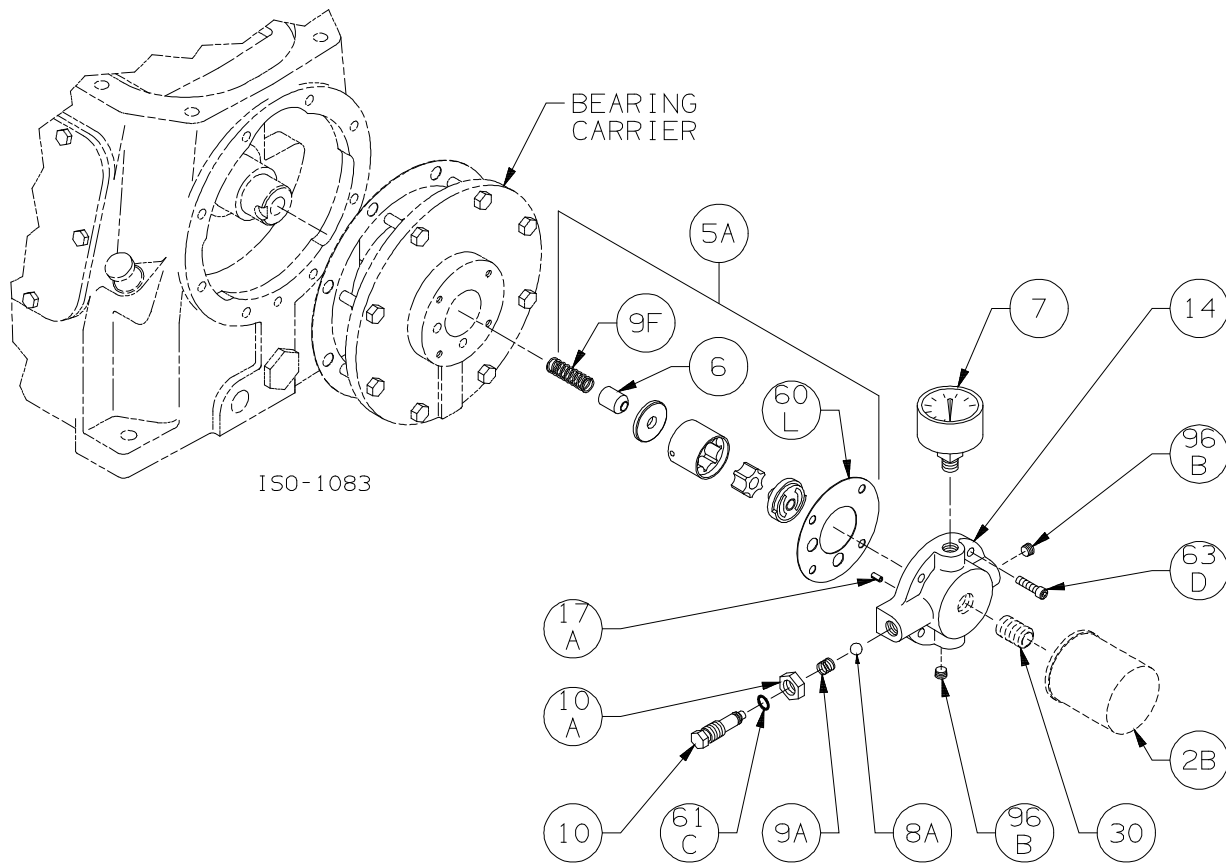
HD361B, HD361C, HD362B, HD362C, HD363B, HD363C, HDS362C,
 HD372B, HD372C, HD373B, HD373C, HDL372B, HDL372C, HDL373B, HDL373C, HDS372C

ISO1101

Ref	Description	Qty	Part No
1	Crankcase Assembly - Oil Filter	1	793100
	Crankcase Assembly - no Oil Filter		793103
	Crankcase Assy - Ext Shaft & Oil Filter		793171
	Crankcase Assy - Ext Shaft, no Oil Filter		793155
1A	Crankcase	1	793102
2	Oil Intake Screen	1	792135
2B	Oil Filter	1	794726
2C	Breather Filter	1	792070
3	Oil Screen Plug	1	792145
5A	Oil Pump Kit	1	794760
7	Oil Pressure Gauge	1	790012
11	Oil Bayonet Assembly	1	792162
12A	Inspection Plate	1	793105
13A	Bearing Carrier	1	793104
15A	Bearing Cup	2	793126
16	Crankshaft Assembly (w\ 18A,19,96B)	1	793157
	Crankshaft Assembly-Ext (w\ 18A,19,96B)		793191
18A	Bearing Cone	2	793142
19	Orifice	2	792146

Ref	Description	Qty	Part No
20	Bearing Cover Plate	1	793106
21	Oil Seal	1	793143
22A	Bearing Adjustment Shim Kit	1	793133
30	Oil Filter Fitting	1	794725
60A	Gasket - Oil Screen *	1	792136
60B	Gasket - Oil Screen Plug *	1	792123
60C	Gasket - Inspection Plate *	1	793122
60D	Gasket - Bearing Carrier Assembly*	1	793124
60L	Gasket - Oil Pump Cover *	1	794721
61A	O-Ring - Oil Screen *	1	792175
61D	O-Ring - Oil Bayonet *	1	792174
63C	Capscrew - Hex Hd	6	793116
63D	Capscrew - Soc Hd	4	790559
63E	Capscrew - Hex Hd	4	792093
63U	Capscrew - Hex Hd	6	792093
72B	Elbow	1	790453
73A	Pipe Plug	1	792166
96A	Pipe Plug	1	790488
96B	Pipe Plug	2	790309

* Included in Gasket Sets



Oil Pump Detail for Models:

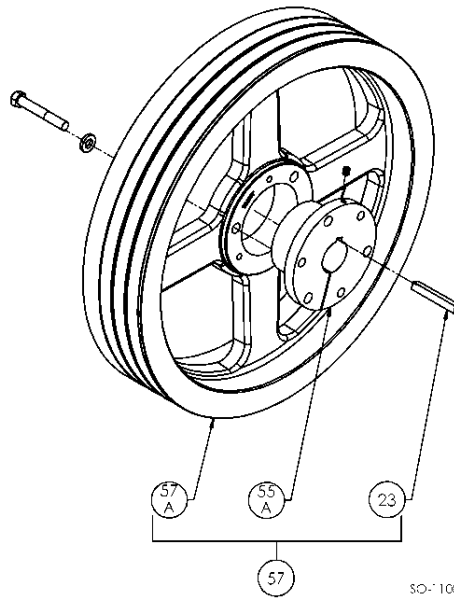
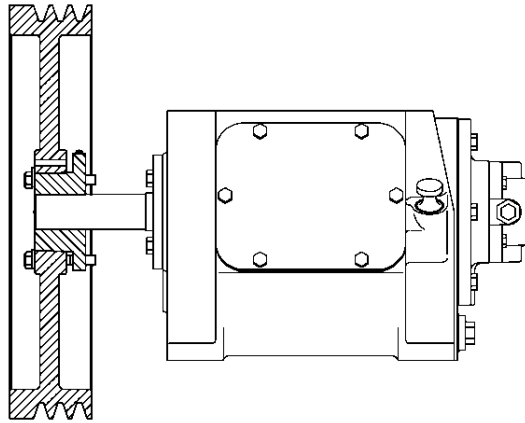
HD082C, HD161C|B, HD162C|B, HD163C, HDS162C
 HD172C|B, HD173C, HDL172C, HDL173C, HDS172C,
 HDL342C|B, HDL343C|B, HDL322C, HDL323C
 HD361C|B, HD362C|B, HD363|B, HDS362C, HDL362C|B, HDL363C|B,
 HD372C|B, HDL372C|B, HD373C, HDL373C|B, HDS372C
 HD601B, HD602C|B, HD603C|B, HDL602C|B, HDL603C|B, HDS602C, HDL642C|B, HDL643C|B,
 HD612C|B, HDL612C|B, HD613C|B, HDL613C|B, HDS612C|B
 HD942B|A, HDL942B|A, HDS942B, HD943B, HDL943B

ISO1083

Ref	Description	Qty	Part No
2B	Oil Filter	1	794726
5A	Oil Pump Kit (with 6, 9F, 60L)		794760
6	Oil Pump Cone	1	794750
7	Oil Pressure Gauge	1	790012
8A	Oil Pressure Adj. Ball	1	792154
9A	Oil Pressure Adj. Spring	1	792153
9F	Oil Pump Spring	1	794751
10	Oil Pressure Adj. Screw	1	792148
10A	Locknut	1	792152

Ref	Description	Qty	Part No
	Oil Pump Cover Assembly - For Filter		794764
14	Oil Pump Cover Assembly (both include 17A, 96B)	1	794763
17A	Roll Pin	1	794753
30	Oil Filter Fitting	1	794725
60L	Gasket - Oil Pump Cover *	1	794721
61C	O-Ring - Adjusting Screw *	1	792168
63D	Capscrew - Socket Head	4	790559
96B	Pipe Plug	2	790309

* Included in Gasket Sets



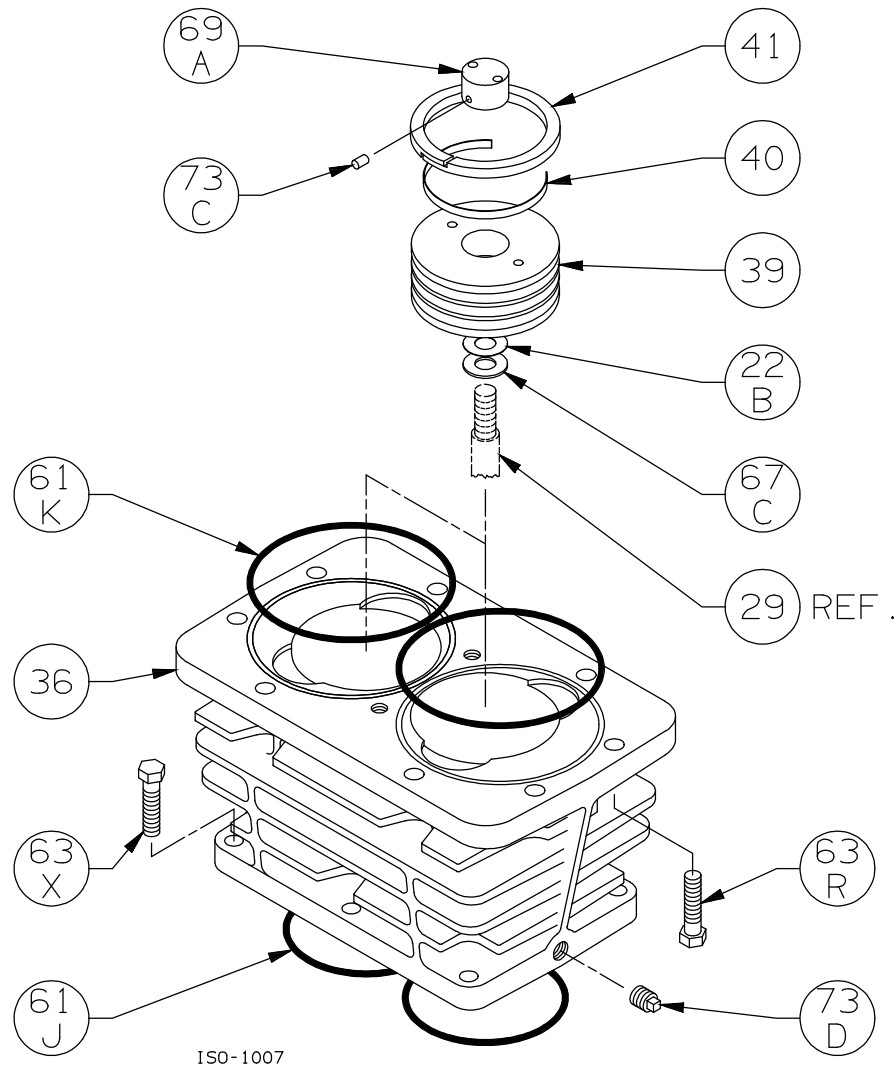
SO-108

MODELS:

- | | |
|----------------|------------------|
| HD361C, HD361B | HDL322C, HDL323C |
| HD362C, HD362B | HDL342C, HDL342B |
| HD363C, HD363B | HDL343C, HDL343B |
| HD372C, HD372B | HDL362C, HDL362B |
| HD373C, HD373B | HDL363C, HDL363B |
| HDS362C | HDL372C, HDL372B |
| HDS372C | HDL373C, HDL373B |

Ref	Description	Qty	Part No
23	Key	1	793167
55A	Hub (SF 1.375")	1	790143
57	Flywheel Assembly	1	793047
57A	Flywheel	1	792197

Note: Earlier HD372C, HD372, HD373C and HD373B air-cooled compressors had a fan fitted to the flywheel.



ISO-1007

Cylinder Assembly: Models HD361A, HD361B, HD361C,
HD362A, HD362B, HD362C, HD363A, HD363B, HD363C

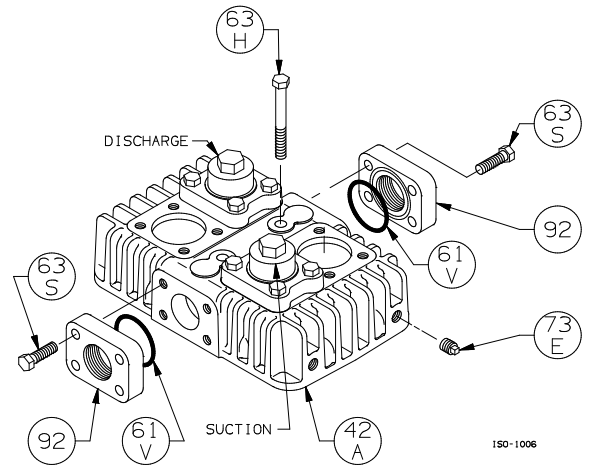
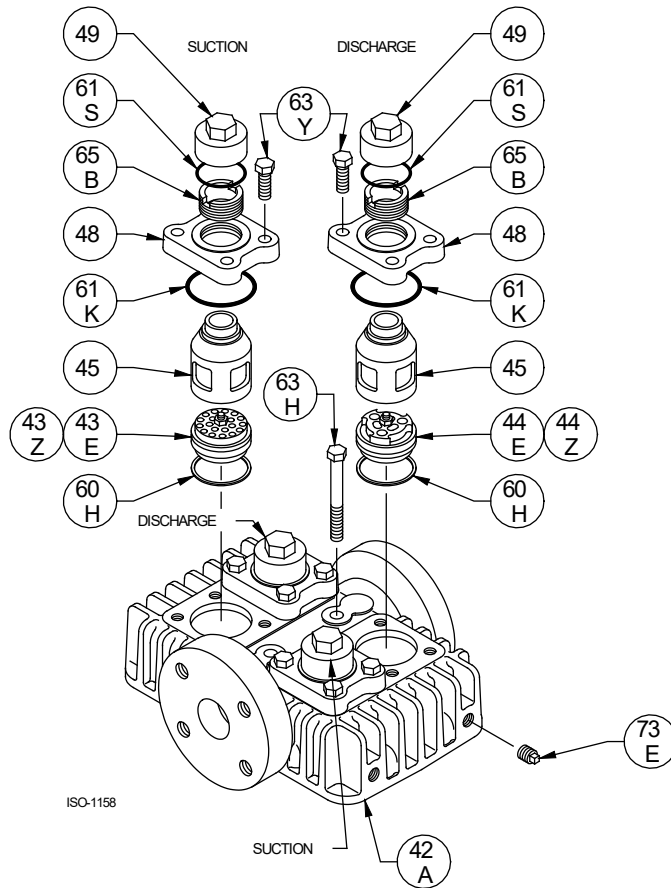
ISO1007

Ref	Description	Qty	Part No
22B	Piston Shim - 0.015	AR	792034
	Piston Shim - 0.007		792050
36	Cylinder	1	793045
	Cylinder TNT-12		792824
39	Piston	2	793421
	Piston TNT-12		792827
40	Expander	6	793415
41	Piston Ring – Glass/Moly Filled, Std	6	793406
	Piston Ring - Poly Filled		793407
61J	O-Ring (Buna N) Std *	2	793177
	O-Ring (FKM) *		793212
	O-Ring (PTFE) *		793210
	O-Ring (Neoprene) *		793216
	O-Ring (Ethylene Propylene) *		793206

Ref	Description	Qty	Part No
61K	O-Ring (Buna N) Std *	2	793641
	O-Ring (FKM) *		793643
	O-Ring (PTFE) *		793642
	O-Ring (Neoprene) *		793644
	O-Ring (Ethylene Propylene) *		793645
63R	Capscrew - Hex Hd	8	794097
	Capscrew – Stainless Steel #		793150
63X	Capscrew - Hex Hd	6	794096
	Capscrew – Stainless Steel #		793151
67C	Thrust Washer	2	792033
69A	Piston Nut	2	793022
	Piston Nut TNT-12		792808
73C	Lock Plug *	4	793028
73D	Pipe Plug	1	908198

* Included in Gasket Sets

Standard with TNT-12 Cylinder



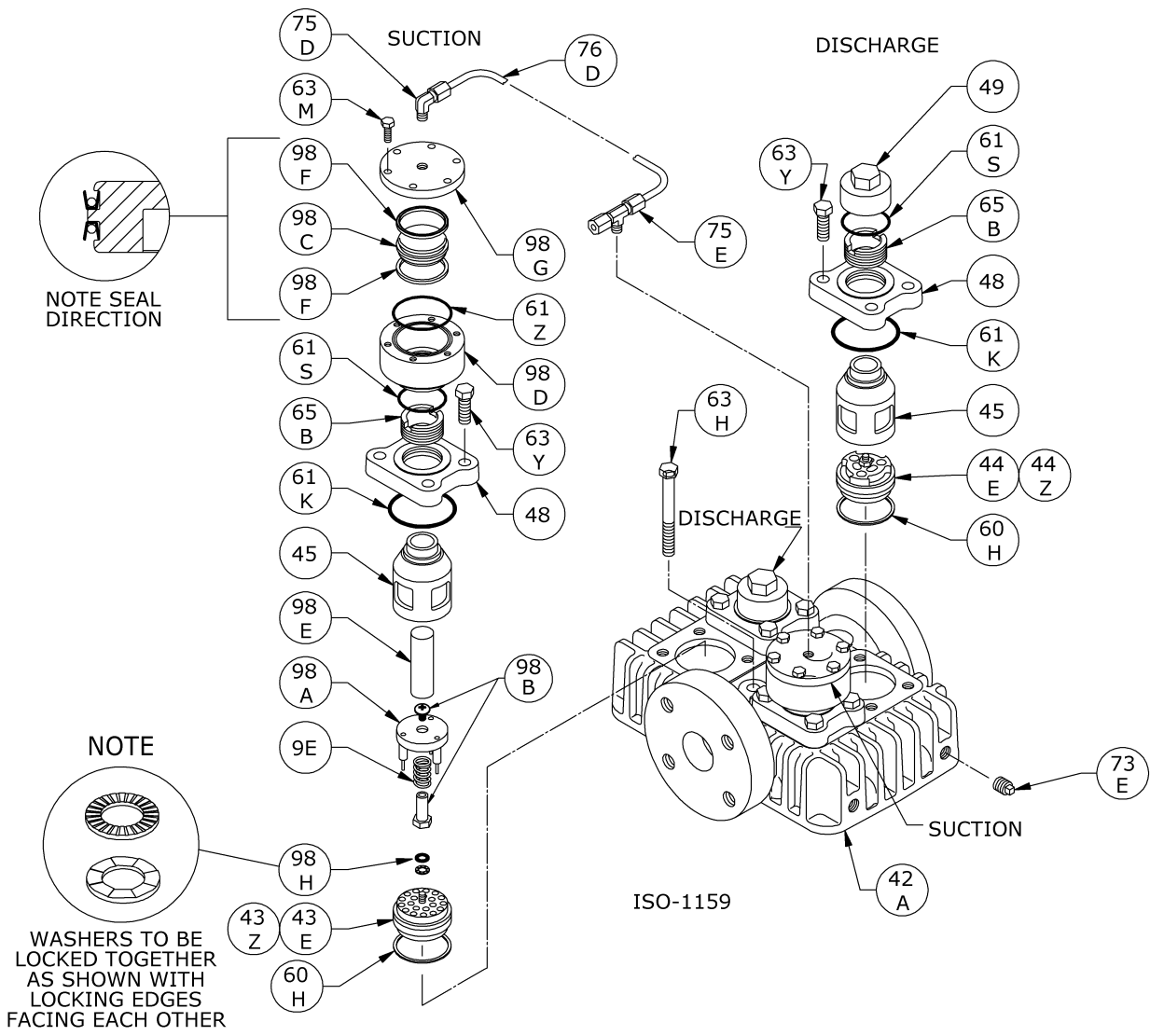
Head Style used on units built prior to July 2001. Replaced by the ANSI flanged head shown.

Head Assembly: Models HD361A, HD361B, HD361C, HD362A, HD362B, HD362C, HD363A, HD363B, HD363C ISO1158

Ref	Description	Qty	Part No
42A	Head (ANSI Flanges)	1	793042
	Head TNT-12 (ANSI Flanges)		792892
	Head (4-bolt flange style)		793044
	Head TNT-12 (4-bolt flange style)		792825
43E	Suction Valve Assembly	2	793459
	Suction Valve Assembly TNT-12		792870
	Suction Valve Assembly, Stainless Steel		793439
43Z	Valve Repair Kit - For 793459, 792870		793460
	Valve Repair Kit - For 793439		793440
44E	Discharge Valve Assembly	2	793479
	Discharge Valve Assembly TNT-12		792871
	Discharge Valve Assy, Stainless Steel		793449
44Z	Valve Repair Kit - For 793479, 792871		793460
	Valve Repair Kit - For 793449		793448
45	Cage	4	793420
	Cage TNT-12		792818
48	Valve Cover Plate	4	793284
	Valve Cover Plate TNT-12		792816
49	Valve Cap	4	792003
	Valve Cap TNT-12		792804
60H	Gasket - Valve *	4	793202
61K	O-Ring (Buna-N) Std *	4	793114
	O-Ring (FKM) *		793214
	O-Ring (PTFE) *		793208
	O-Ring (Neoprene) *		793110
	O-Ring (Ethylene Propylene) *		793205

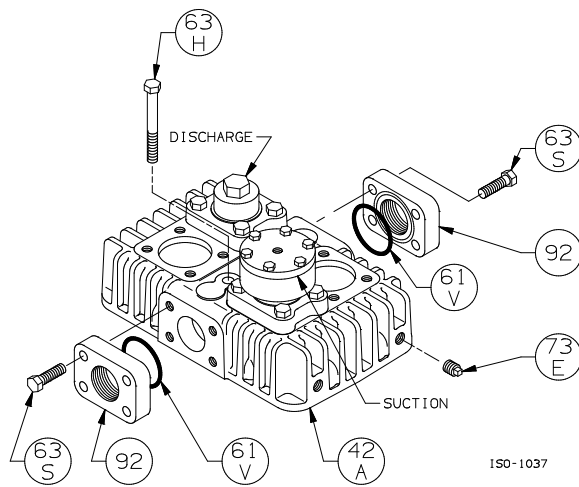
Ref	Description	Qty	Part No
61S	O-Ring (Buna-N) Std *	4	792306
	O-Ring (FKM) *		792308
	O-Ring (PTFE) *		792307
	O-Ring (Neoprene) *		792309
	O-Ring (Ethylene Propylene) *		792310
61V	O-Ring (Buna-N) Std *	2	792125
	O-Ring (FKM) *		793213
	O-Ring (PTFE) *		793211
	O-Ring (Neoprene) *		793215
	O-Ring (Ethylene Propylene) *		793207
63H	Capscrew - Hex Hd	2	793115
	Capscrew - Stainless Steel #		793152
63S	Capscrew - Hex Hd	8	794096
63Y	Capscrew - Hex Hd	16	793094
	Capscrew - Stainless Steel #		793153
65B	Valve Holddown Screw	4	792002
	Valve Holddown Screw TNT-12		792806
73E	Pipe Plug	2	908198
92	Flange (1.25 NPT) Std	2	793055
	Flange (1.25 NPT) TNT-12		792826
	Flange (1.25 Weld)		793056
	Flange (1.5 NPT)		793057
	Flange (1.5 NPT) TNT-12		792867
	Flange (1.5 Weld)		793058

* Included in Gasket Sets
Standard with TNT-12 Cylinder



Head Assembly with Unloaders
 Models HD361A, HD361B, HD361C,
 HD362A, HD362B, HD362C,
 HD363A, HD363B, HD363C

Head Style used on units built prior to July 2001. Replaced by the ANSI flanged head shown.



Over.....

Head Assembly with Unloaders
 Models HD361A, HD361B, HD361C,
 HD362A, HD362B, HD362C,
 HD363A, HD363B, HD363C

ISO1159

Ref	Description	Qty	Part No
9E	Unloader Spring	2	793293
42A	Head (ANSI Flanges)	1	793042
	Head TNT-12 (ANSI Flanges)		792892
	Head (4-bolt flange style)		793044
	Head TNT-12 (4-bolt flange style)		792825
43E	Suction Valve Assembly	2	793459
	Suction Valve Assembly TNT-12		792870
	Suction Valve Assy, Stainless Steel		793439
43Z	Valve Repair Kit - For 793459/793479		793460
	Valve Repair Kit - For 793439		793440
44E	Discharge Valve Assembly	2	793479
	Discharge Valve Assembly TNT-12		792871
	Discharge Valve Assy, Stainless Steel		793449
44Z	Valve Repair Kit - For 793459/793479		793460
	Valve Repair Kit - For 793449		793448
45	Cage	4	793420
	Cage TNT-12		792818
48	Valve Cover Plate	4	793284
	Valve Cover Plate TNT-12		792816
49	Valve Cap	2	792003
	Valve Cap TNT-12		792804
60H	Gasket - Valve *	4	793202
61K	O-Ring (Buna-N) Std *	4	793114
	O-Ring (FKM) *		793214
	O-Ring (PTFE) *		793208
	O-Ring (Neoprene) *		793110
	O-Ring (Ethylene Propylene) *		793205
61S	O-Ring (Buna-N) Std *	4	792306
	O-Ring (FKM) *		792308
	O-Ring (PTFE) *		792307
	O-Ring (Neoprene) *		792309
	O-Ring (Ethylene Propylene) *		792310

* Included in Gasket Sets

Standard with TNT-12 Cylinder

Ref	Description	Qty	Part No
61V	O-Ring (Buna-N) Std *	2	792125
	O-Ring (FKM) *		793213
	O-Ring (PTFE) *		793211
	O-Ring (Neoprene) *		793215
	O-Ring (Ethylene Propylene) *		793207
61Z	O-Ring (Buna-N) Std *	2	792311
	O-Ring (FKM) *		792313
	O-Ring (PTFE) *		792312
	O-Ring (Neoprene) *		792314
	O-Ring (Ethylene Propylene) *		792320
63H	Capscrew - Hex Hd	2	793115
	Capscrew - Stainless Steel #		793152
63M	Capscrew - Hex Hd	12	797093
63S	Capscrew - Hex Hd	8	794096
63Y	Capscrew - Hex Hd	16	793094
	Capscrew - Stainless Steel #		793153
65B	Valve Holddown Screw	4	792002
	Valve Holddown Screw TNT-12		792806
73E	Pipe Plug	2	908198
75D	Tube Elbow	1	790355
75E	Tube Tee	1	790356
76D	Tube	1	790196
92	Flange (1.25 NPT) Std	2	793055
	Flange (1.25 NPT) TNT-12		792826
	Flange (1.25 Weld)		793056
	Flange (1.5 NPT)		793057
	Flange (1.5 NPT) TNT-12		792867
98A	Actuator Assembly	2	793296
	Actuator Assembly, for SS Valve		793298
98B	Unloader Post w/bolt ¹	2	793291
	Unloader Post w/bolt ¹ , for SS Valve		794291
98C	Unloader Piston	2	793288
98D	Unloader Body	2	793286
98E	Unloader Plunger	2	793290
98F	Unloader Seal	4	792284
98G	Unloader Cap	2	793287
98H	Lockwasher (2 piece)	2	793473

¹ Unloader Post with bolt replaces earlier style unloader post with retainer ring.

Suggested Spare Parts for HD362C and HDL362C Compressors:

Part #	Description	Qty./ Unit	Comm. Qty.	Spare Qty.
793597	Gasket Set - Buna-N	1	1	1
793596	Gasket Set - PTFE *			
793595	Gasket Set - FKM *			
793591	Gasket Set - Neoprene *			
793588	Gasket Set - Ethylene Propylene *			
793460	Suction Valve Repair Kit - PEEK	2		2
793440	Suction Valve Repair Kit - Stainless Steel *			
793460	Discharge Valve Repair Kit - PEEK	2		2
793448	Discharge Valve Repair Kit - Stainless Steel *			
792284	Unloader Seal *	4		4
793406	Piston Ring - Glass/Moly Filled	6	6	6
793407	Piston Ring - Poly Filled *			
793415	Piston Ring Expander	6	6	6
793510	Packing Set	4	4	4
794726	Oil Filter	1		6
793307	Wrist Pin	2		2
793305	Wrist Pin Bearing	2	2	2
793002	Conrod Bearing	2	2	2
The following parts would normally be required only for major compressor overhaul.				
793142	Bearing Cone	2		2
793126	Bearing Cup	2		2
793501	Crosshead Assembly	2		1
793309	Conrod Assembly	2		1
794760	Oil Pump Repair Kit	1		
793157	Crankshaft Assembly	1		
793191	Extended Crankshaft Assembly *			
793133	Bearing Adjustment Shim Kit	1		
793045	HD362C Cylinder	1		
792824	HD362C Cylinder, TNT-12 PTFE/Nickel Treated *			
793752	HDL362C Cylinder	1		
792889	HDL362C Cylinder, TNT-12 PTFE/Nickel Treated *			

* Optional Equipment on New Compressors

Notes:

Notes: