



960541	PARTS LIST
Page 1 of 12	901-B11
Section	901
Effective	Dec 2023
Replaces	Sep 2022

## HDL362C PARTS LIST

(See Instructions 901-B00 for Operation and Maintenance)

Serial # \_\_\_\_\_

ID# \_\_\_\_\_

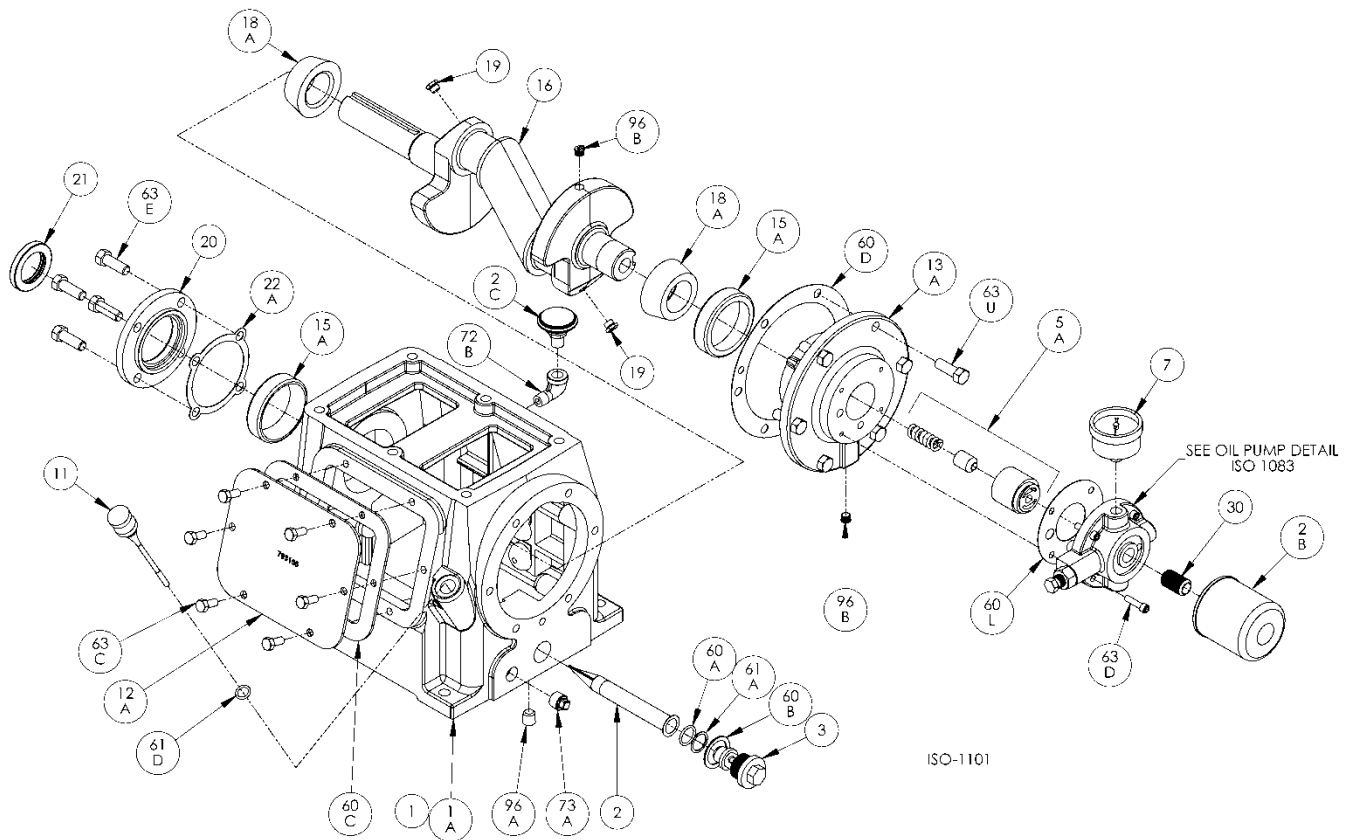
### Gasket Sets and Special Tools

Gasket Set	Buna-N & Iron	793597
	PTFE & Iron	793596
	FKM & Iron	793595
	Neoprene & Iron	793591
	Ethylene Propylene & Iron	793588
Packing Installation Tool		790536
Spanner Wrench, 1/4" Adjustable		790316
Wrench for Valve Hold Down Screw		790535
Piston Torque Tool		798004
Tool Kit		790199

### Table of Contents

Cover Page	1
Crankcase	2
Oil Pump	3
Flywheel	4
Crosshead	5
Cylinder	6
Head	7
Head with Unloaders	8-9

Notes:



**Crankcase Assembly:**

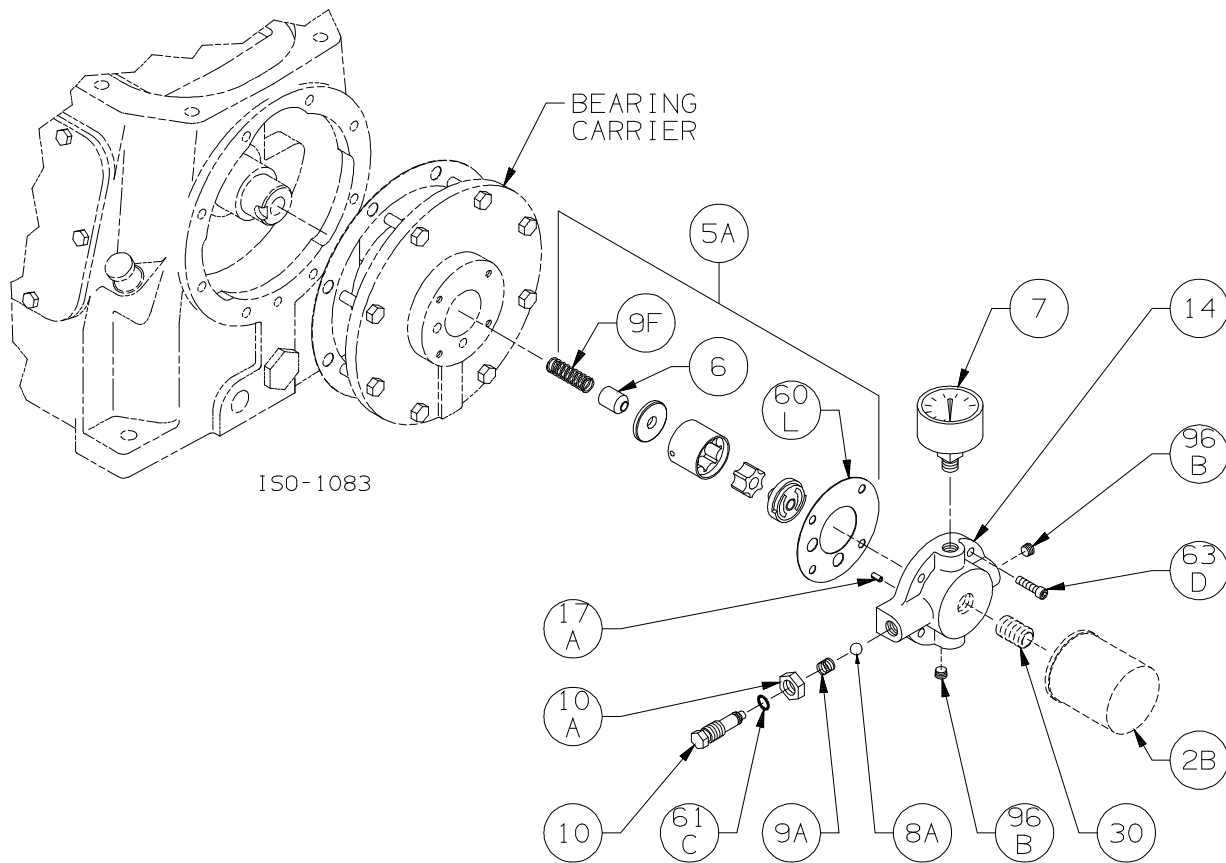
Models HDL342B, HDL343B, HDL342C, HDL343C, HDL322C, HDL323C  
 HDL362B, HDL363B, HDL362C, HDL363C  
 HD361B, HD361C, HD362B, HD362C, HD363B, HD363C, HDS362C,  
 HD372B, HD372C, HD373B, HD373C, HDL372B, HDL372C, HDL373B, HDL373C, HDS372C

ISO1101

Ref	Description	Qty	Part No
1	Crankcase Assembly - Oil Filter	1	793100
	Crankcase Assembly - no Oil Filter		793103
	Crankcase Assy - Ext Shaft & Oil Filter		793171
	Crankcase Assy - Ext Shaft, no Oil Filter		793155
1A	Crankcase	1	793102
2	Oil Intake Screen	1	792135
2B	Oil Filter	1	794726
2C	Breather Filter	1	792070
3	Oil Screen Plug	1	792145
5A	Oil Pump Kit	1	794760
7	Oil Pressure Gauge	1	790012
11	Oil Bayonet Assembly	1	792162
12A	Inspection Plate	1	793105
13A	Bearing Carrier	1	793104
15A	Bearing Cup	2	793126
16	Crankshaft Assembly (w\ 18A,19,96B)	1	793157
	Crankshaft Assembly-Ext (w\ 18A,19,96B)		793191
18A	Bearing Cone	2	793142
19	Orifice	2	792146

Ref	Description	Qty	Part No
20	Bearing Cover Plate	1	793106
21	Oil Seal	1	793143
22A	Bearing Adjustment Shim Kit	1	793133
30	Oil Filter Fitting	1	794725
60A	Gasket - Oil Screen *	1	792136
60B	Gasket - Oil Screen Plug *	1	792123
60C	Gasket - Inspection Plate *	1	793122
60D	Gasket - Bearing Carrier Assembly*	1	793124
60L	Gasket - Oil Pump Cover *	1	794721
61A	O-Ring - Oil Screen *	1	792175
61D	O-Ring - Oil Bayonet *	1	792174
63C	Capscrew - Hex Hd	6	793116
63D	Capscrew - Soc Hd	4	790559
63E	Capscrew - Hex Hd	4	792093
63U	Capscrew - Hex Hd	6	792093
72B	Elbow	1	790453
73A	Pipe Plug	1	792166
96A	Pipe Plug	1	790488
96B	Pipe Plug	2	790309

\* Included in Gasket Sets



Oil Pump Detail for Models:

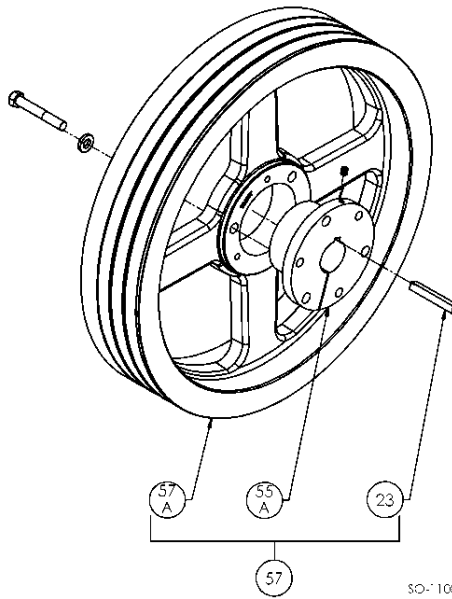
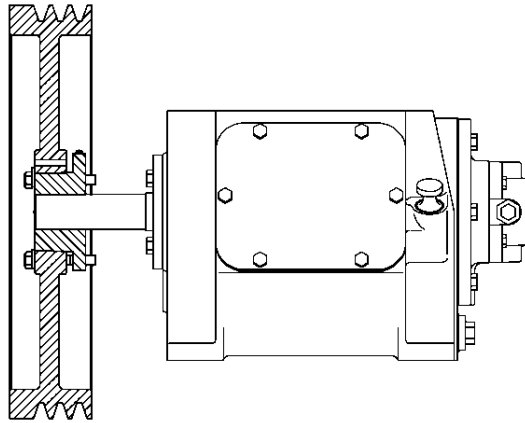
HD082C, HD161C|B, HD162C|B, HD163C, HDS162C  
 HD172C|B, HD173C, HDL172C, HDL173C, HDS172C,  
 HDL342C|B, HDL343C|B, HDL322C, HDL323C  
 HD361C|B, HD362C|B, HD363|B, HDS362C, HDL362C|B, HDL363C|B,  
 HD372C|B, HDL372C|B, HD373C, HDL373C|B, HDS372C  
 HD601B, HD602C|B, HD603C|B, HDL602C|B, HDL603C|B, HDS602C, HDL642C|B, HDL643C|B,  
 HD612C|B, HDL612C|B, HD613C|B, HDL613C|B, HDS612C|B  
 HD942B|A, HDL942B|A, HDS942B, HD943B, HDL943B

ISO1083

Ref	Description	Qty	Part No
2B	Oil Filter	1	794726
5A	Oil Pump Kit (with 6, 9F, 60L)		794760
6	Oil Pump Cone	1	794750
7	Oil Pressure Gauge	1	790012
8A	Oil Pressure Adj. Ball	1	792154
9A	Oil Pressure Adj. Spring	1	792153
9F	Oil Pump Spring	1	794751
10	Oil Pressure Adj. Screw	1	792148
10A	Locknut	1	792152

Ref	Description	Qty	Part No
	Oil Pump Cover Assembly - For Filter		794764
14	Oil Pump Cover Assembly (both include 17A, 96B)	1	794763
17A	Roll Pin	1	794753
30	Oil Filter Fitting	1	794725
60L	Gasket - Oil Pump Cover *	1	794721
61C	O-Ring - Adjusting Screw *	1	792168
63D	Capscrew - Socket Head	4	790559
96B	Pipe Plug	2	790309

\* Included in Gasket Sets



SO-108

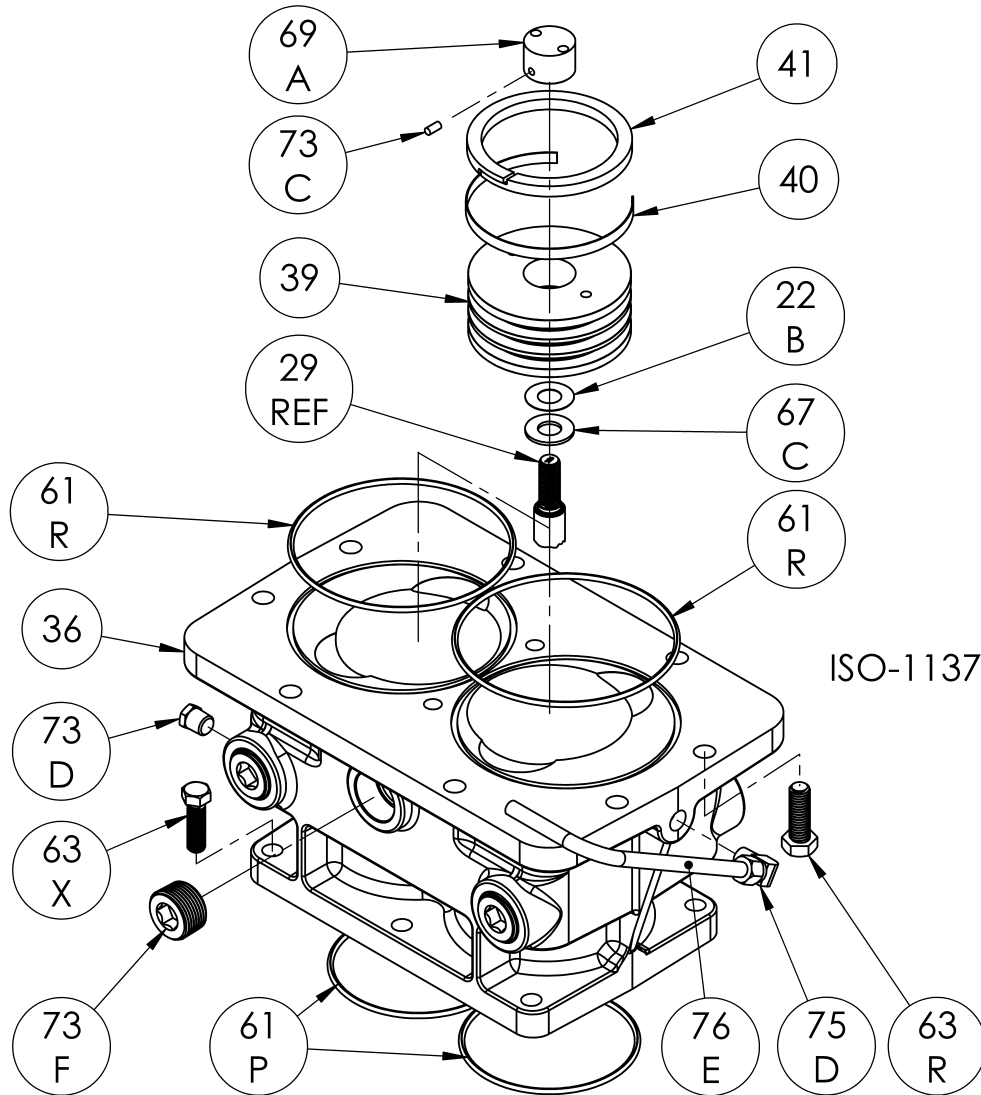
**MODELS:**

- |                |                  |
|----------------|------------------|
| HD361C, HD361B | HDL322C, HDL323C |
| HD362C, HD362B | HDL342C, HDL342B |
| HD363C, HD363B | HDL343C, HDL343B |
| HD372C, HD372B | HDL362C, HDL362B |
| HD373C, HD373B | HDL363C, HDL363B |
| HDS362C        | HDL372C, HDL372B |
| HDS372C        | HDL373C, HDL373B |

Ref	Description	Qty	Part No
23	Key	1	793167
55A	Hub (SF 1.375")	1	790143
57	Flywheel Assembly	1	793047
57A	Flywheel	1	792197

Note: Earlier HD372C, HD372, HD373C and HD373B air-cooled compressors had a fan fitted to the flywheel.





Cylinder Assembly: Models HDL362C, HDL363C

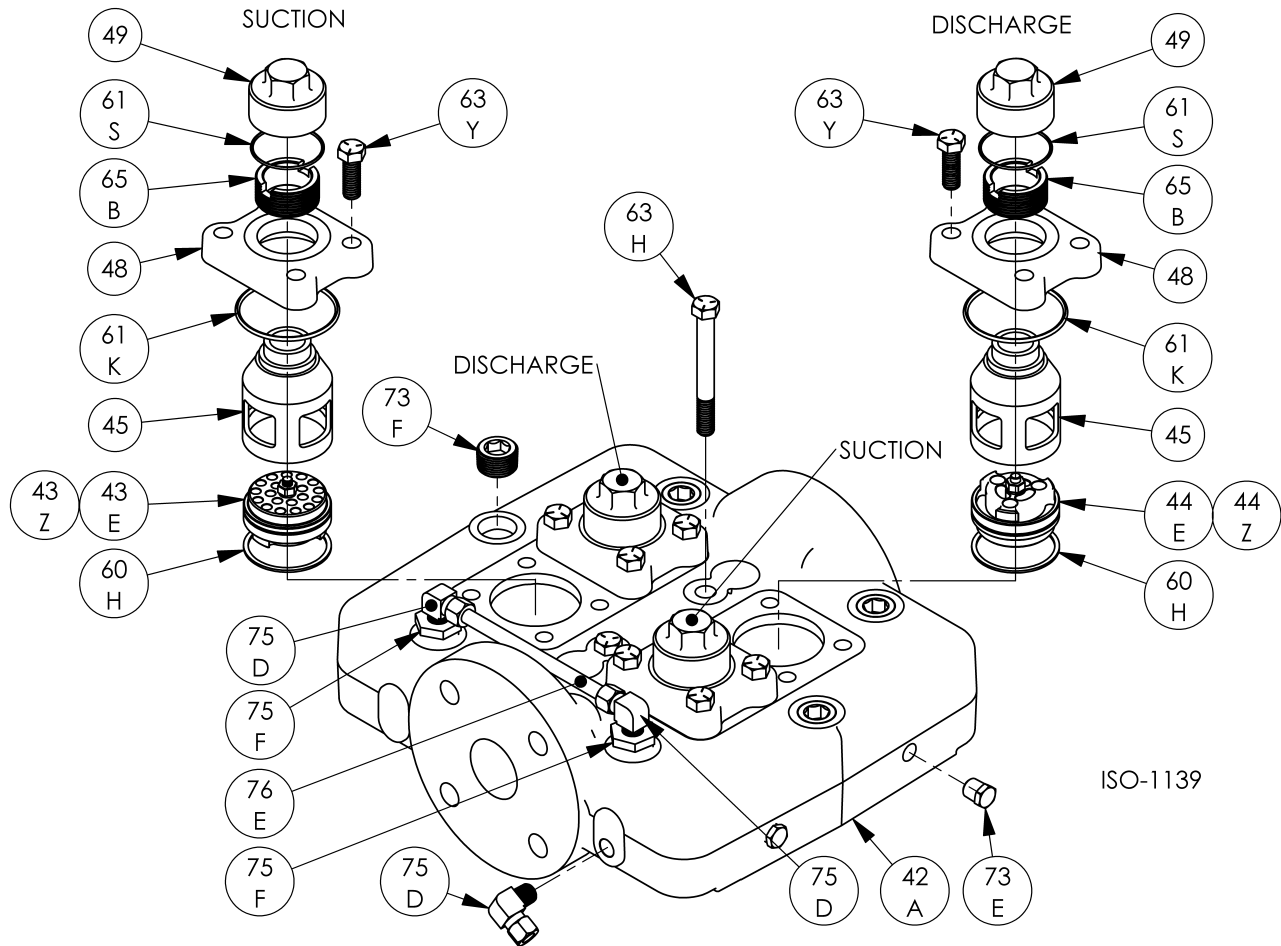
ISO1137

Ref	Description	Qty	Part No
22B	Piston Shim - 0.015	AR	792034
	Piston Shim - 0.007		792050
36	Cylinder	1	793752
	Cylinder TNT-12		792889
39	Piston	2	793421
	Piston TNT-12		792827
40	Expander	6	793415
41	Piston Ring - Glass/Moly Filled, Std	6	793406
	Piston Ring - Poly Filled		793407
61P	O-Ring (Buna N) Std *	2	793177
	O-Ring (FKM) *		793212
	O-Ring (PTFE) *		793210
	O-Ring (Neoprene) *		793216
	O-Ring (Ethylene Propylene) *		793206

Ref	Description	Qty	Part No
61R	O-Ring (Buna N) Std *	2	793641
	O-Ring (FKM) *		793643
	O-Ring (PTFE) *		793642
	O-Ring (Neoprene) *		793644
	O-Ring (Ethylene Propylene) *		793645
63R	Capscrew - Hex Hd	8	794097
	Capscrew - Stainless Steel #		793150
63X	Capscrew - Hex Hd	6	794096
	Capscrew - Stainless Steel #		793151
67C	Thrust Washer	2	792033
69A	Piston Nut	2	793022
	Piston Nut TNT-12		792808
73C	Lock Plug *	4	793028
73D	Pipe Plug	1	908198
73F	Pipe Plug 1"	6	790452
75D	Tube Elbow	1	790367
76E	Tube - 3/8" Copper	1	790369

\* Included in Gasket Sets

# Standard with TNT-12 Cylinder



Head Assembly:  
Models HDL362C, HDL363C

ISO1139

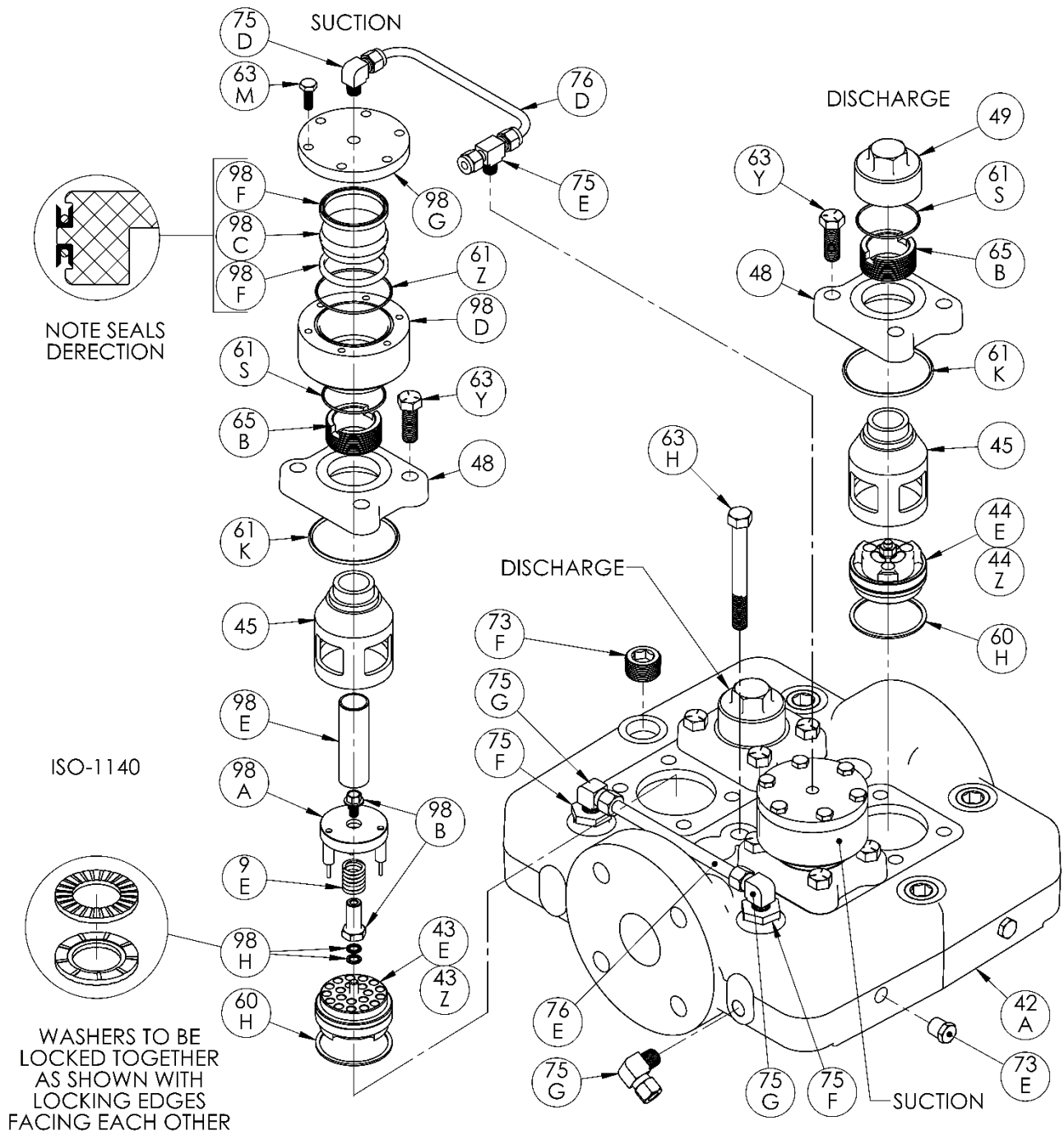
Ref	Description	Qty	Part No
42A	Head	1	793750
	Head TNT-12		792887
43E	Suction Valve Assembly	2	793459
	Suction Valve Assembly TNT-12		792870
	Suction Valve Assembly, Stainless Steel		793439
43Z	Valve Repair Kit - For 793459, 792870		793460
	Valve Repair Kit - For 793439		793440
44E	Discharge Valve Assembly	2	793479
	Discharge Valve Assembly TNT-12		792871
	Discharge Valve Assy, Stainless Steel		793449
44Z	Valve Repair Kit - For 793479, 792871		793460
	Valve Repair Kit - For 793449		793448
45	Cage	4	793420
	Cage TNT-12		792818
48	Valve Cover Plate	4	793284
	Valve Cover Plate TNT-12		792816
49	Valve Cap	4	792003
	Valve Cap TNT-12		792804

Ref	Description	Qty	Part No
60H	Gasket - Valve *	4	793202
61K	O-Ring (Buna-N) Std *	4	793114
	O-Ring (FKM) *		793214
	O-Ring (PTFE) *		793208
	O-Ring (Neoprene) *		793110
	O-Ring (Ethylene Propylene) *		793205
61S	O-Ring (Buna-N) Std *	4	792306
	O-Ring (FKM) *		792308
	O-Ring (PTFE) *		792307
	O-Ring (Neoprene) *		792309
	O-Ring (Ethylene Propylene) *		792310
63H	Capscrew - Hex Hd	2	793115
	Capscrew - Stainless Steel #		793152
63Y	Capscrew - Hex Hd	16	793094
	Capscrew - Stainless Steel #		793153
65B	Valve Hold Down Screw	4	792002
	Valve Hold Down Screw TNT-12		792806
73E	Pipe Plug	2	908198
73F	Pipe Plug 3/4"	4	790451
75D	Tube Elbow	3	790367
75F	Pipe Bushing	2	790450
76E	Tube - 3/8" Copper	1	790313

\* Included in Gasket Sets

# Standard with TNT-12 Cylinder





Head Assembly with Unloaders  
 Models HDL362C, HDL363C

over...



Head Assembly with Unloaders  
Models HDL362C, HDL363C

ISO1140

Ref	Description	Qty	Part No
9E	Unloader Spring	2	793293
42A	Head Head TNT-12	1	793750 792887
43E	Suction Valve Assembly Suction Valve Assembly TNT-12 Suction Valve Assy, Stainless Steel	2	793459 792870 793439
43Z	Valve Repair Kit - For 793459, 792870 Valve Repair Kit - For 793439		793460 793440
44E	Discharge Valve Assembly Discharge Valve Assembly TNT-12 Discharge Valve Assy, Stainless Steel	2	793479 792871 793449
44Z	Valve Repair Kit - For 793479, 792871 Valve Repair Kit - For 793449		793460 793448
45	Cage Cage TNT-12	4	793420 792818
48	Valve Cover Plate Valve Cover Plate TNT-12	4	793284 792816
49	Valve Cap Valve Cap TNT-12	2	792003 792804
60H	Gasket - Valve *	4	793202
61K	O-Ring (Buna-N) Std * O-Ring (FKM) * O-Ring (PTFE) * O-Ring (Neoprene) * O-Ring (Ethylene Propylene) *	4	793114 793214 793208 793110 793205
61S	O-Ring (Buna-N) Std * O-Ring (FKM) * O-Ring (PTFE) * O-Ring (Neoprene) * O-Ring (Ethylene Propylene) *	4	792306 792308 792307 792309 792310

Ref	Description	Qty	Part No
61Z	O-Ring (Buna-N) Std * O-Ring (FKM) * O-Ring (PTFE) * O-Ring (Neoprene) * O-Ring (Ethylene Propylene) *	2	792311 792313 792312 792314 792320
63H	Capscrew - Hex Hd Capscrew - Stainless Steel #	2	793115 793152
63M	Capscrew - Hex Hd	12	797093
63Y	Capscrew - Hex Hd Capscrew - Stainless Steel #	16	793094 793153
65B	Valve Holddown Screw Valve Holddown Screw TNT-12	4	792002 792806
73E	Pipe Plug	2	908198
73F	Pipe Plug 3/4"	4	790451
75D	Tube Elbow	1	790355
75E	Tube Tee	1	790356
75F	Pipe Bushing	2	790450
75G	Tube Elbow	3	790367
76D	Tube - 1/4" SS	1	790196
76E	Tube - 3/8" Copper	1	790313
98A	Actuator Assembly Actuator Assembly, for SS Valve	2	793296 793298
98B	Unloader Post w/bolt <sup>1</sup> Unloader Post w/bolt <sup>1</sup> , for SS Valve	2	793291 794291
98C	Unloader Piston	2	793288
98D	Unloader Body	2	793286
98E	Unloader Plunger	2	793290
98F	Unloader Seal	4	792284
98G	Unloader Cap	2	793287
98H	Lockwasher (2 piece)	2	793473

\* Included in Gasket Sets

# Standard with TNT-12 Cylinder

<sup>1</sup> Unloader Post with bolt replaces earlier style unloader post with retainer ring.

Suggested Spare Parts for HD362C and HDL362C Compressors:

Part #	Description	Qty./ Unit	Comm. Qty.	Spare Qty.
793597	Gasket Set - Buna-N	1	1	1
793596	Gasket Set - PTFE *			
793595	Gasket Set - FKM *			
793591	Gasket Set - Neoprene *			
793588	Gasket Set - Ethylene Propylene *			
793460	Suction Valve Repair Kit - PEEK	2		2
793440	Suction Valve Repair Kit - Stainless Steel *			
793460	Discharge Valve Repair Kit - PEEK	2		2
793448	Discharge Valve Repair Kit - Stainless Steel *			
792284	Unloader Seal *	4		4
793406	Piston Ring - Glass/Moly Filled	6	6	6
793407	Piston Ring - Poly Filled *			
793415	Piston Ring Expander	6	6	6
793510	Packing Set	4	4	4
794726	Oil Filter	1		6
793307	Wrist Pin	2		2
793305	Wrist Pin Bearing	2	2	2
793002	Conrod Bearing	2	2	2
The following parts would normally be required only for major compressor overhaul.				
793142	Bearing Cone	2		2
793126	Bearing Cup	2		2
793501	Crosshead Assembly	2		1
793309	Conrod Assembly	2		1
794760	Oil Pump Repair Kit	1		
793157	Crankshaft Assembly	1		
793191	Extended Crankshaft Assembly *			
793133	Bearing Adjustment Shim Kit	1		
793045	HD362C Cylinder	1		
792824	HD362C Cylinder, TNT-12 PTFE/Nickel Treated *			
793752	HDL362C Cylinder	1		
792889	HDL362C Cylinder, TNT-12 PTFE/Nickel Treated *			

\* Optional Equipment on New Compressors

**Notes:**

**Notes:**