



HD943B PARTS LIST

(See Instructions 901-E00 for Operation and Maintenance)

Serial # _____

ID# _____

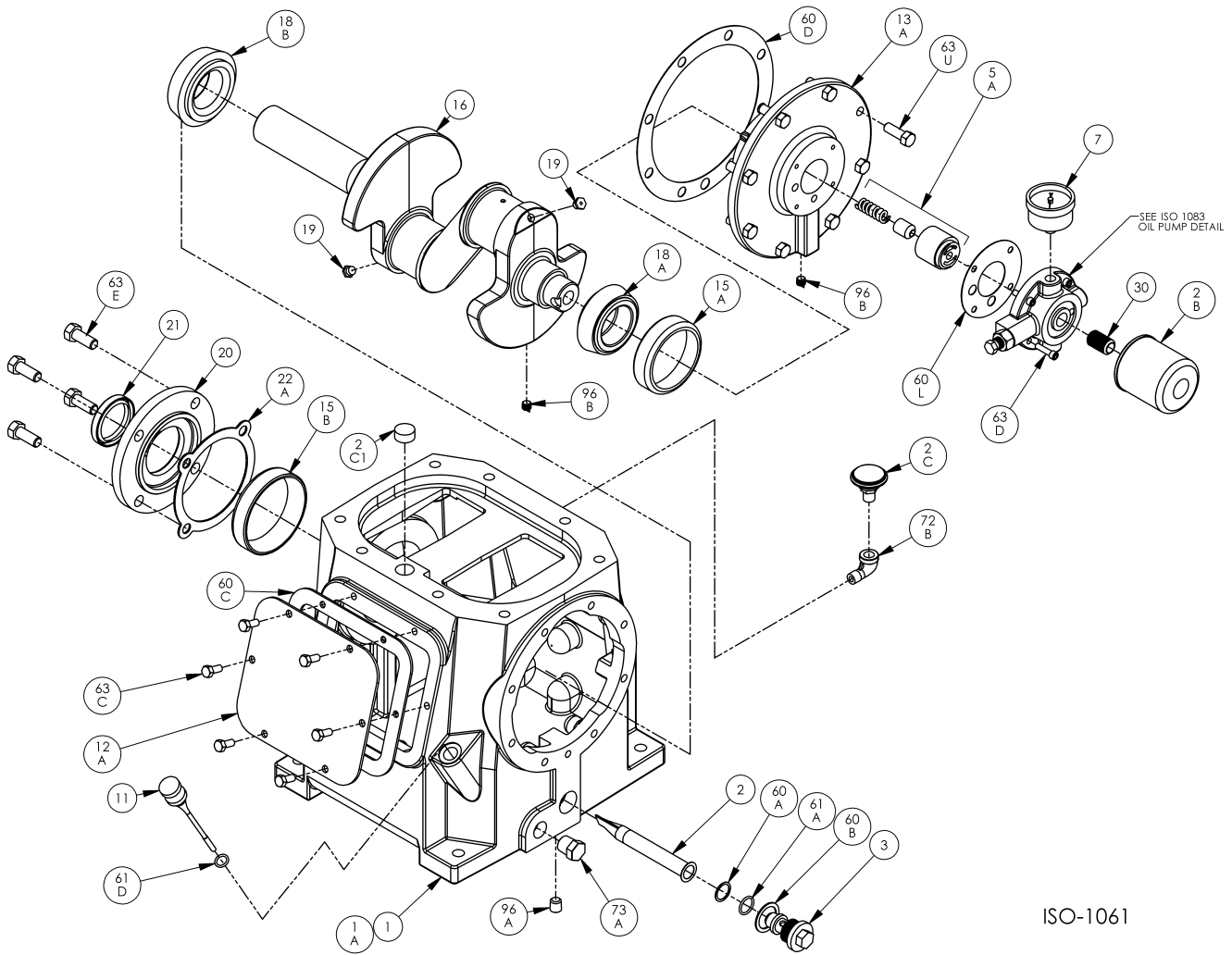
Gasket Sets and Special Tools

| | | |
|---------------------------------|---------------------------|--------|
| Gasket Set | Buna-N & Iron | 794992 |
| | PTFE & Iron | 794993 |
| | FKM & Iron | 794994 |
| | Neoprene & Iron | 794995 |
| | Ethylene Propylene & Iron | 794996 |
| Packing Installation Tool | | 790540 |
| Spanner Wrench, 1/4" Adjustable | | 790316 |
| Wrench for Valve Holdown Screw | | 790535 |

Table of Contents

| | |
|-------------------------|-------|
| Cover Page | 1 |
| Crankcase | 2 |
| Oil Pump | 3 |
| Flywheel | 4 |
| Crosshead | 5 |
| Upper Packing | 6 |
| Lower Packing | 7 |
| Cylinder | 8-9 |
| Cylinder with Unloaders | 10-11 |

Notes:



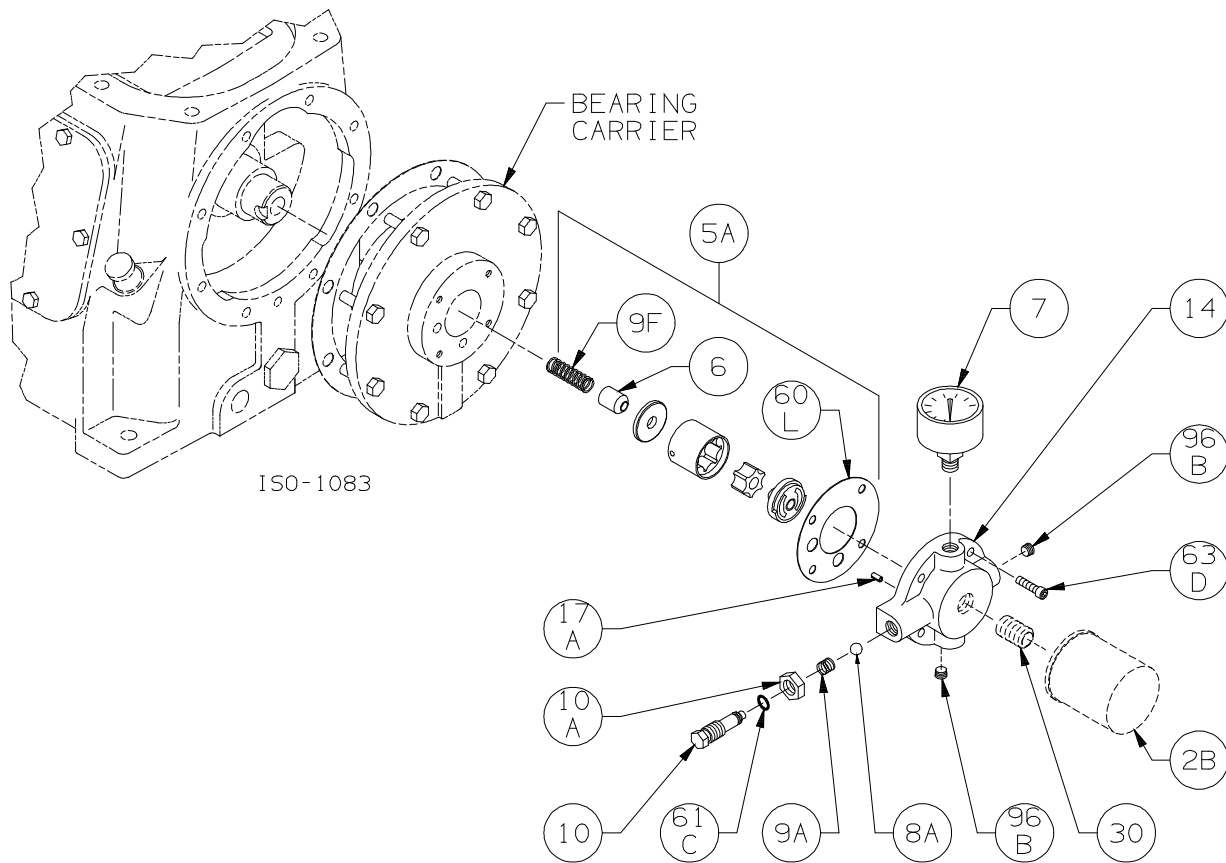
Crankcase Assembly: Models HD942A, HD942B, HDL942A, HDL942B, HD943B, HDL943B

ISO1056

| Ref | Description | Qty | Part No |
|-----|---|-----|---------|
| 1 | Crankcase Assembly - w\ Oil Filter | 1 | 794758 |
| 1A | Crankcase | 1 | 794709 |
| 2 | Oil Intake Screen | 1 | 792135 |
| 2B | Oil Filter | 1 | 794726 |
| 2C | Breather Filter (current) | 1 | 792070 |
| 2C1 | Breather Filter (previous construction) | | 794752 |
| 3 | Oil Screen Plug | 1 | 792145 |
| 5A | Oil Pump Kit | 1 | 794760 |
| 7 | Oil Pressure Gauge | 1 | 790012 |
| 11 | Oil Bayonet Assembly | 1 | 792162 |
| 12A | Inspection Plate | 1 | 794140 |
| 13A | Bearing Carrier | 1 | 794714 |
| 15A | Bearing Cup (Outboard) | 1 | 794131 |
| 15B | Bearing Cup (Inboard) | 1 | 794731 |
| 16 | Crankshaft Assembly (w\ 18A,18B,19,96B) | 1 | 794708 |
| 18A | Bearing Cone (Outboard) | 1 | 794130 |
| 18B | Bearing Cone (Inboard) | 1 | 794730 |
| 19 | Orifice | 2 | 792146 |
| 20 | Bearing Cover Plate | 1 | 794716 |

| Ref | Description | Qty | Part No |
|-----|------------------------------------|-----|---------|
| 21 | Oil Seal | 1 | 794732 |
| 22A | Bearing Adjustment Shim Kit | 1 | 794733 |
| 30 | Oil Filter Fitting | 1 | 794725 |
| 60A | Gasket - Oil Screen * | 1 | 792136 |
| 60B | Gasket - Oil Screen Plug * | 1 | 792123 |
| 60C | Gasket - Inspection Plate * | 1 | 794122 |
| 60D | Gasket - Bearing Carrier Assembly* | 1 | 794720 |
| 60L | Gasket - Oil Pump Cover * | 1 | 794721 |
| 61A | O-Ring - Oil Screen * | 1 | 792175 |
| 61D | O-Ring - Oil Bayonet * | 1 | 792174 |
| 63C | Capscrew - Hex Hd | 6 | 793116 |
| 63D | Capscrew - Soc Hd | 4 | 790559 |
| 63E | Capscrew - Hex Hd | 4 | 790484 |
| 63U | Capscrew - Hex Hd | 8 | 792093 |
| 72B | Elbow | 1 | 790453 |
| 73A | Pipe Plug | 1 | 790024 |
| 96A | Pipe Plug | 1 | 790488 |
| 96B | Pipe Plug | 2 | 790309 |

* Included in Gasket Sets



Oil Pump Detail for Models:

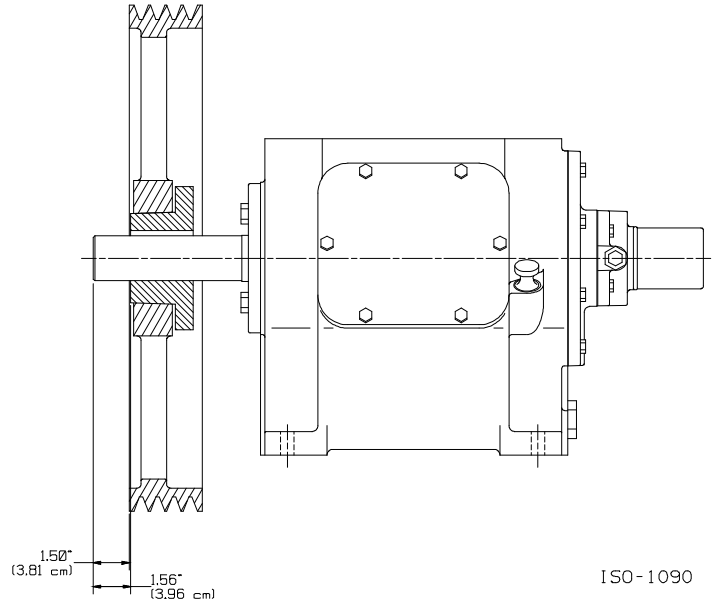
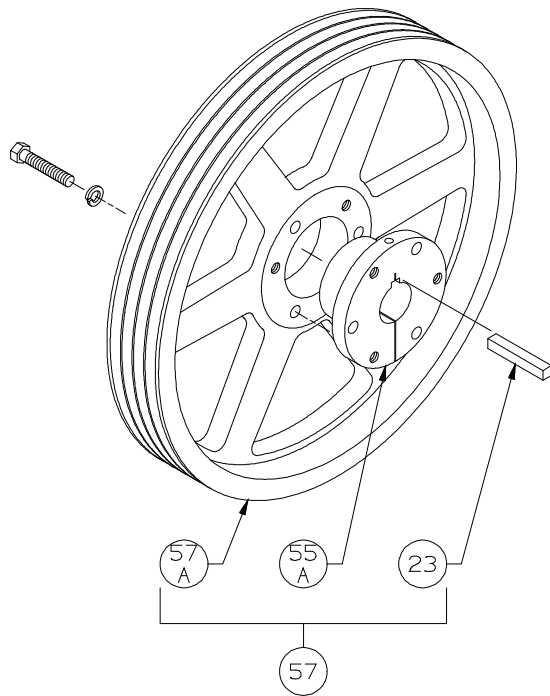
HD082C, HD161C|B, HD162C|B, HD163C, HDS162C
 HD172C|B, HD173C, HDL172C, HDL173C, HDS172C,
 HDL342C|B, HDL343C|B, HDL322C, HDL323C
 HD361C|B, HD362C|B, HD363|B, HDS362C, HDL362C|B, HDL363C|B,
 HD372C|B, HDL372C|B, HD373C, HDL373C|B, HDS372C
 HD601B, HD602C|B, HD603C|B, HDL602C|B, HDL603C|B, HDS602C, HDL642C|B, HDL643C|B,
 HD612C|B, HDL612C|B, HD613C|B, HDL613C|B, HDS612C|B
 HD942B|A, HDL942B|A, HDS942B, HD943B, HDL943B

ISO1083

| Ref | Description | Qty | Part No |
|-----|--------------------------------|-----|---------|
| 2B | Oil Filter | 1 | 794726 |
| 5A | Oil Pump Kit (with 6, 9F, 60L) | | 794760 |
| 6 | Oil Pump Cone | 1 | 794750 |
| 7 | Oil Pressure Gauge | 1 | 790012 |
| 8A | Oil Pressure Adj. Ball | 1 | 792154 |
| 9A | Oil Pressure Adj. Spring | 1 | 792153 |
| 9F | Oil Pump Spring | 1 | 794751 |
| 10 | Oil Pressure Adj. Screw | 1 | 792148 |
| 10A | Locknut | 1 | 792152 |

| Ref | Description | Qty | Part No |
|-----|--|-----|---------|
| | Oil Pump Cover Assembly - For Filter | | 794764 |
| 14 | Oil Pump Cover Assembly (both include 17A, 96B) | 1 | 794763 |
| 17A | Roll Pin | 1 | 794753 |
| 30 | Oil Filter Fitting | 1 | 794725 |
| 60L | Gasket - Oil Pump Cover * | 1 | 794721 |
| 61C | O-Ring - Adjusting Screw * | 1 | 792168 |
| 63D | Capscrew - Socket Head | 4 | 790559 |
| 96B | Pipe Plug | 2 | 790309 |

* Included in Gasket Sets



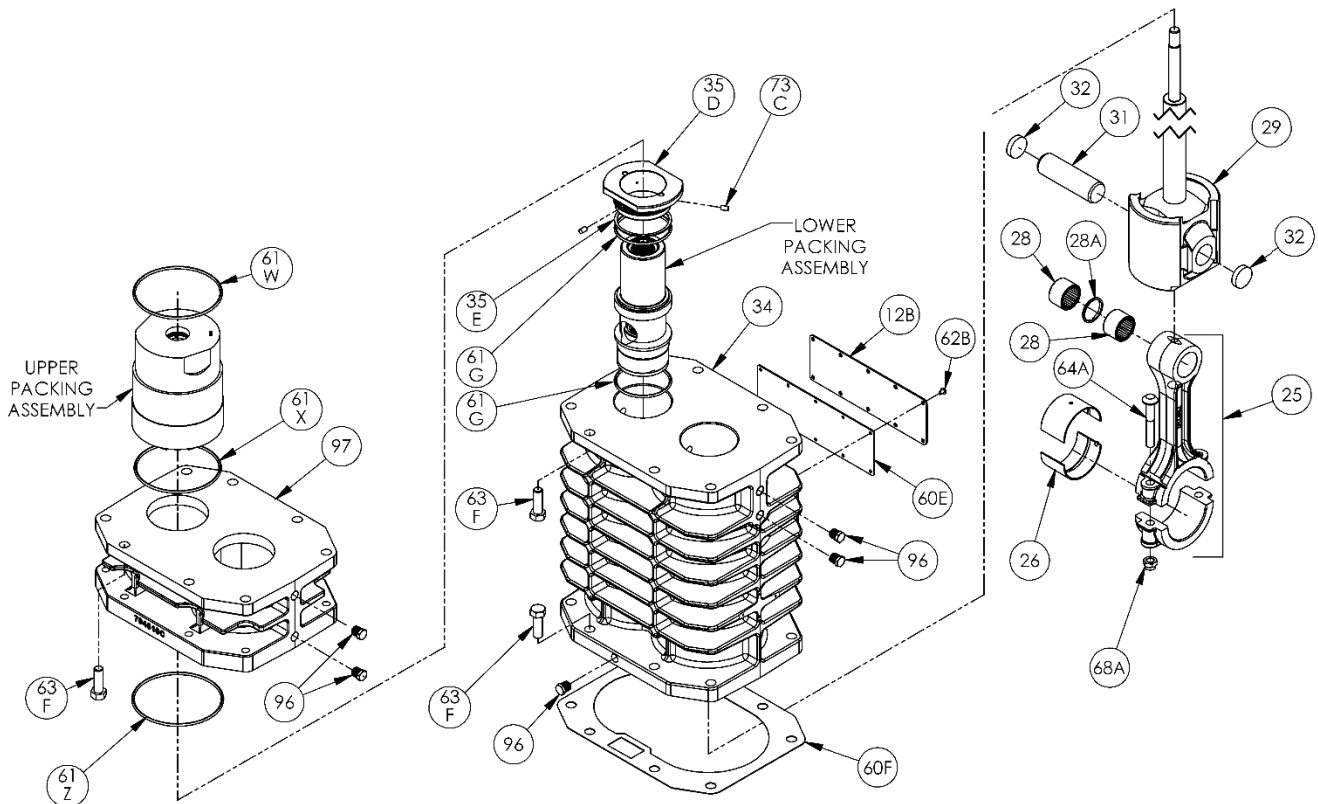
ISO-1090

Flywheel Assembly:

HD942B, HD942A, HDL942B, HDL942A, HD943B,
HDL943B

ISO1090

| Ref | Description | Qty | Part No |
|-----|-------------------|-----|---------|
| 23 | Key | 1 | 794267 |
| 55A | Hub (E 1.875") | 1 | 790505 |
| 57 | Flywheel Assembly | 1 | 794755 |
| 57A | Flywheel | 1 | 790539 |



Crosshead Assembly: HD943B, HDL943B

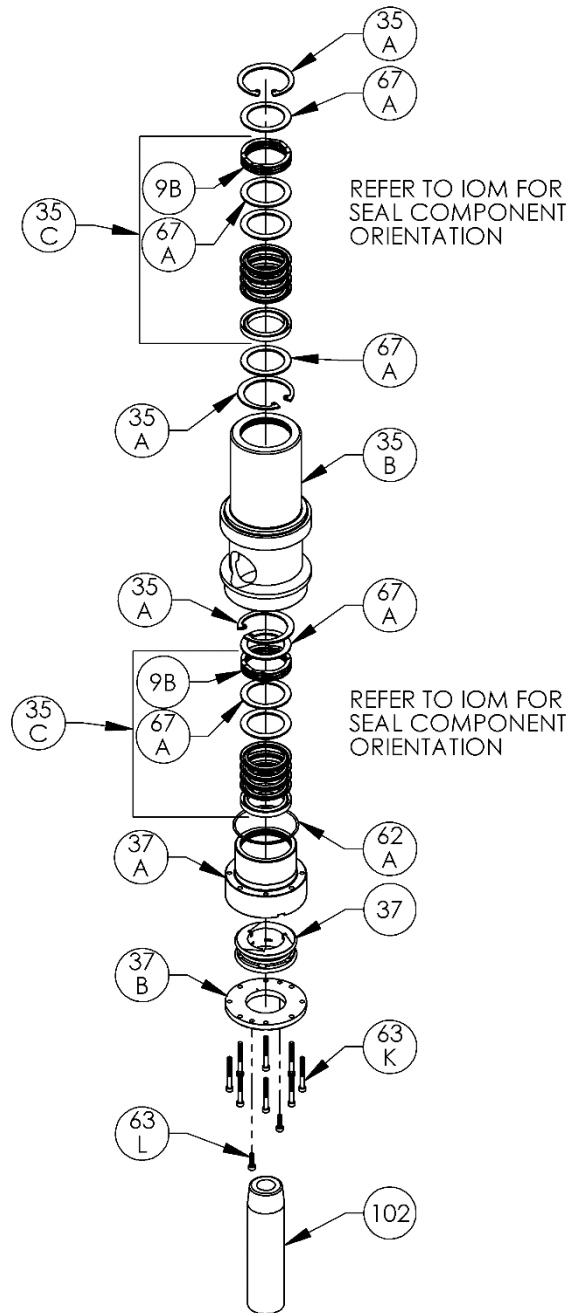
ISO1174

| Ref | Description | Qty | Part No |
|-----|---|-----|------------------|
| 12B | Inspection Plate | 1 | 794093 |
| 25 | Connecting Rod Assembly | 2 | 794767 |
| 26 | Connecting Rod Bearing | 2 | 794710 |
| 28 | Wrist Pin Bearing | 4 | 794776 |
| 28A | Bearing Spacer | 2 | 794770 |
| 29 | Crosshead Assembly | 2 | 794823 |
| 31 | Wrist Pin | 2 | 794727 |
| 32 | Wrist Pin Plug | 4 | 794724 |
| 34 | Crosshead Guide | 1 | 794430 |
| 35D | Hold-down Ring Hold-down Ring TNT-12 | 2 | 794224 792924 |
| 35E | Spacer Ring | 2 | 794403 |
| 60E | Gasket - Inspection Plate * | 1 | 794092 |
| 60F | Gasket - Crankcase * | 1 | 794121 |
| 61G | O-Ring (Buna-N) * | 4 | 794082 |
| | O-Ring (FKM) * | | 794213 |
| | O-Ring (PTFE) * | | 794208 |
| | O-Ring (Neoprene) * | | 794090 |
| | O-Ring (Ethylene Propylene) * | | 794206 |

| Ref | Description | Qty | Part No |
|-----|----------------------------------|-----|---------|
| 61W | O-Ring (Buna-N) * | 2 | 792315 |
| | O-Ring (FKM) * | | 792316 |
| | O-Ring (PTFE) * | | 792317 |
| | O-Ring (Neoprene) * | | 792318 |
| | O-Ring (Ethylene Propylene) * | | 792319 |
| 61X | O-Ring (Buna-N) * | 2 | 792252 |
| | O-Ring (FKM) * | | 792253 |
| | O-Ring (PTFE) * | | 792254 |
| | O-Ring (Neoprene) * | | 792255 |
| | O-Ring (Ethylene Propylene) * | | 792256 |
| 61Z | O-Ring (Buna-N) * | 2 | 794126 |
| | O-Ring (FKM) * | | 794214 |
| | O-Ring (PTFE) * | | 794125 |
| | O-Ring (Neoprene) * | | 794142 |
| | O-Ring (Ethylene Propylene) * | | 794110 |
| 62B | Machine Screw - Inspection Plate | 10 | 793096 |
| 63F | Capscrew - Hex Hd | 24 | 794094 |
| | Capscrew - Stainless Steel # | | 920467 |
| 64A | Connecting Rod Bolt | 4 | 794012 |
| 68A | Connecting Rod Bolt Nut | 4 | 794013 |
| 73C | Lock Plug * | 6 | 794028 |
| 96 | Pipe Plug | 9 | 908198 |
| 97 | Distance Piece | 1 | 794810 |

* Included in Gasket Sets

Standard with TNT-12 Cylinder



Lower Packing Box Detail: HD943B, HDL943B

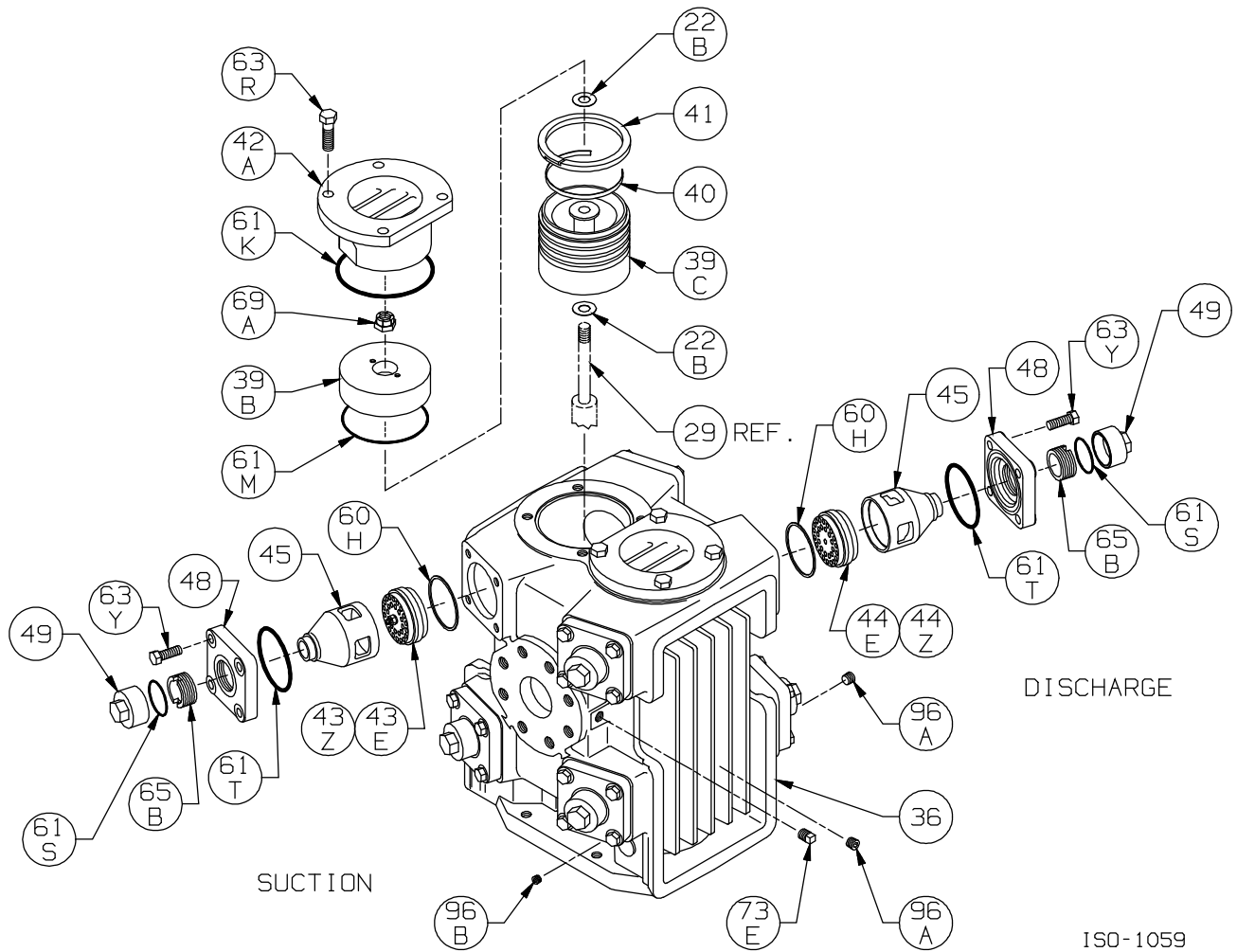
S1175

| Ref | Description | Qty | Part No |
|-----|----------------------------|-----|---------|
| 9B | Packing Spring | 4 | 794041 |
| 35A | Retainer Ring | 6 | 794080 |
| 35B | Packing Box - Lower | 2 | 794445 |
| | Packing Box - Lower TNT-12 | | 794463 |
| 35C | Packing Set | 4 | 794498 |
| 37 | S3R Seal | 2 | 794456 |
| 37A | Seal Cup | 2 | 794455 |
| | Seal Cup - TNT-12 | | 794462 |
| 37B | Seal Cup Cover | 2 | 794454 |

| Ref | Description | Qty | Part No |
|-----|-------------------------------|-----|---------|
| | O-Ring (Buna-N) * | | 792311 |
| | O-Ring (FKM) * | | 792313 |
| 62A | O-Ring (PTFE) * | 2 | 792312 |
| | O-Ring (Neoprene) * | | 792314 |
| | O-Ring (Ethylene Propylene) * | | 792320 |
| 63K | Capscrew - Socket Hd | 16 | 794460 |
| 63L | Capscrew - Socket Hd | 4 | 794461 |
| 67A | Washer - Packing Box | 10 | 794084 |
| 102 | Packing Installation Tool | 1 | 790540 |

*Included in Gasket Sets

Refer to the Compressor IOM for proper orientation of components.



Cylinder Assembly: HD942B, HD942A, HD943B

OVER....

Cylinder Assembly: HD942B, HD942A, HD943B

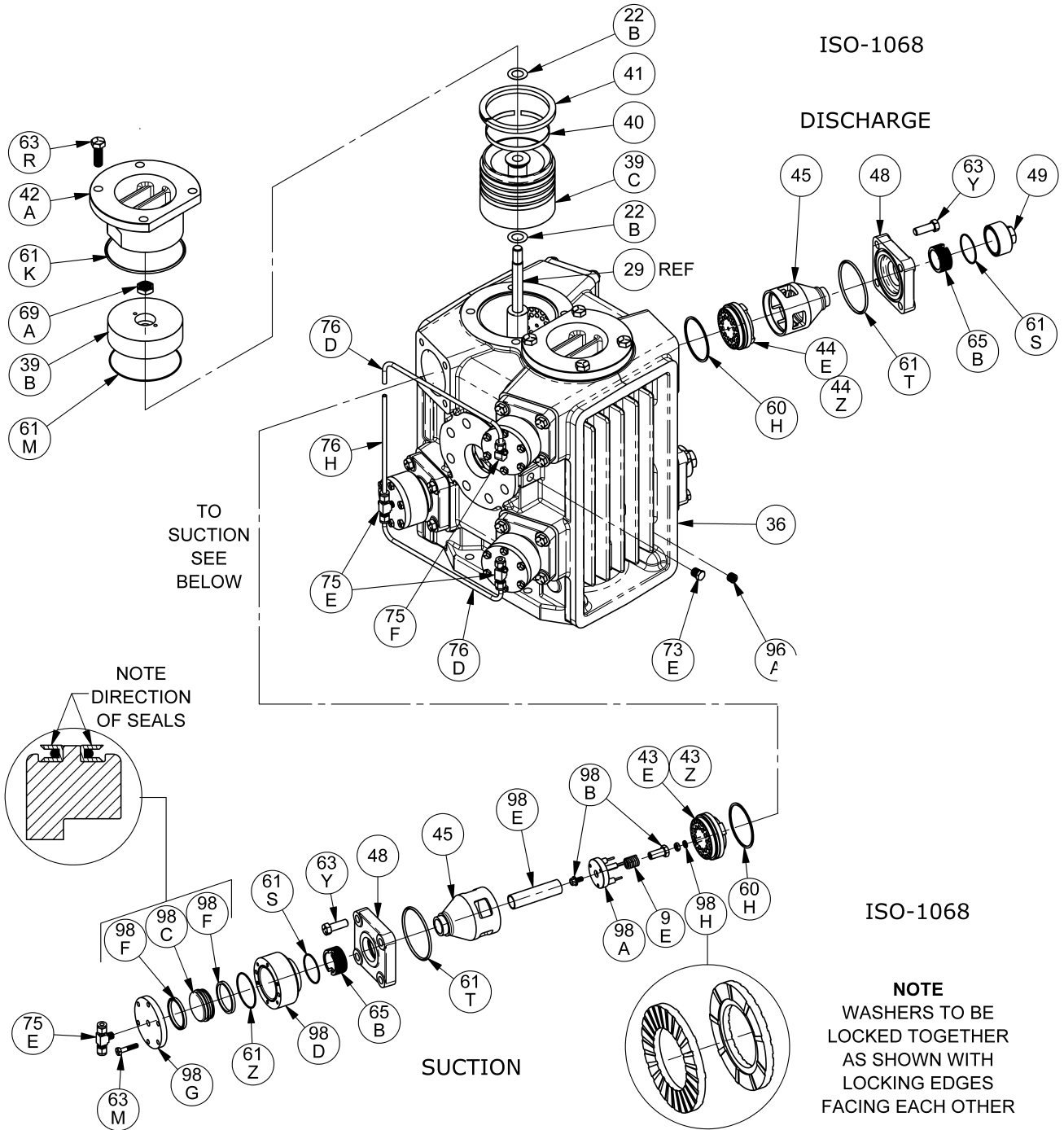
ISO1059

| Ref | Description | Qty | Part No |
|-----|--|-----|----------------------------|
| 22B | Piston Shim - 0.007" | AR | 794761 |
| | Piston Shim - 0.015" | | 794762 |
| | Piston Shim - 0.025" | | 797022 |
| | Piston Shim - 0.035" | | 797023 |
| | Piston Shim - 0.040" | | 797024 |
| 36 | Cylinder Cylinder TNT-12 | 1 | 794704 792855 |
| 39B | Piston Cap Piston Cap TNT-12 | 2 | 794719 792853 |
| 39C | Piston Piston TNT-12 | 2 | 794718 792854 |
| 40 | Expander | 8 | 793614 |
| 41 | Piston Ring – Glass/Moly Filled, Std Piston Ring - Poly Filled | 8 | 793610 793612 |
| 42A | Head Head TNT-12 | 2 | 794702 792856 |
| 43E | Suction Valve Assembly Suction Valve Assembly TNT-12 Suction Valve Assy, Stainless Steel | 4 | 793659 792872 793629 |
| 43Z | Valve Repair Kit - For 793659/793679 Valve Repair Kit - For 793629 | | 793660 793630 |
| 44E | Discharge Valve Assembly Discharge Valve Assembly TNT-12 Discharge Valve Assy, Stainless Steel | 4 | 793679 792873 793649 |
| 44Z | Valve Repair Kit - For 793659/793679 Valve Repair Kit - For 793649 | | 793660 793650 |
| 45 | Cage Cage TNT-12 | 8 | 794620 792835 |
| 48 | Valve Cover Plate Valve Cover Plate TNT-12 | 8 | 794284 792817 |
| 49 | Valve Cap Valve Cap TNT-12 | 8 | 792003 792804 |

| Ref | Description | Qty | Part No |
|-----|---|-----|---|
| 60H | Gasket - Valve * | 8 | 794198 |
| 61K | O-Ring (Buna-N) Std * | 2 | 792315 |
| | O-Ring (FKM) * | | 792316 |
| | O-Ring (PTFE) * | | 792317 |
| | O-Ring (Neoprene) * | | 792318 |
| | O-Ring (Ethylene Propylene) * | | 792319 |
| 61M | O-Ring (Buna-N) Std * | 2 | 792060 |
| | O-Ring (FKM) * | | 792061 |
| | O-Ring (PTFE) * | | 792062 |
| | O-Ring (Neoprene) * | | 792063 |
| 61S | O-Ring (Ethylene Propylene) * | 8 | 792075 |
| | O-Ring (Buna-N) Std * | | 792306 |
| | O-Ring (FKM) * | | 792308 |
| | O-Ring (PTFE) * | | 792307 |
| | O-Ring (Neoprene) * | | 792309 |
| 61T | O-Ring (Ethylene Propylene) * | 8 | 792310 |
| | O-Ring (Buna-N) Std * | | 792112 |
| | O-Ring (FKM) * | | 792213 |
| | O-Ring (PTFE) * | | 792210 |
| | O-Ring (Neoprene) * | | 792110 |
| 63R | O-Ring (Ethylene Propylene) * | 8 | 792206 |
| | Capscrew - Hex Hd Capscrew – Stainless Steel # | | 794097 920518 |
| 63Y | Capscrew - Hex Hd Capscrew – Stainless Steel # | 32 | 793094 793153 |
| | 65B | | Valve Holddown Screw Valve Holddown Screw TNT-12 |
| 69A | Piston Nut Piston Nut TNT-12 | 2 | 790487 792857 |
| 73E | Pipe Plug - 1/4 | 4 | 908198 |
| 96A | Pipe Plug - 1/4 Socket | 4 | 790488 |
| 96B | Pipe Plug - 1/8 Socket | 2 | 790309 |

* Included in Gasket Sets

Standard with TNT-12 Cylinder



Cylinder with Unloader Assembly: HD942B, HD942A, HD943B

OVER...

| Ref | Description | Qty | Part No |
|-----|---------------------------------------|-----|---------|
| 9E | Unloader Spring | 4 | 793293 |
| 22B | Piston Shim - 0.007" | AR | 794761 |
| | Piston Shim - 0.015" | | 794762 |
| | Piston Shim - 0.025" | | 797022 |
| | Piston Shim - 0.035" | | 797023 |
| | Piston Shim - 0.045" | | 797024 |
| 36 | Cylinder | 1 | 794704 |
| | Cylinder TNT-12 | | 792855 |
| 39B | Piston Cap | 2 | 794719 |
| | Piston Cap TNT-12 | | 792853 |
| 39C | Piston | 2 | 794718 |
| | Piston TNT-12 | | 792854 |
| 40 | Expander | 8 | 793614 |
| 41 | Piston Ring – Glass/Moly Filled, Std | 8 | 793610 |
| | Piston Ring - Poly Filled | | 793612 |
| 42A | Head | 2 | 794702 |
| | Head TNT-12 | | 792856 |
| 43E | Suction Valve Assembly | 4 | 793659 |
| | Suction Valve Assembly TNT-12 | | 792872 |
| | Suction Valve Assy, Stainless Steel | | 793629 |
| 43Z | Valve Repair Kit - For 793659/793679 | | 793660 |
| | Valve Repair Kit - For 793629 | | 793630 |
| 44E | Discharge Valve Assembly | 4 | 793679 |
| | Discharge Valve Assembly TNT-12 | | 792873 |
| | Discharge Valve Assy, Stainless Steel | | 793649 |
| 44Z | Valve Repair Kit - For 793659/793679 | | 793660 |
| | Valve Repair Kit - For 793649 | | 793650 |
| 45 | Cage | 8 | 794620 |
| | Cage TNT-12 | | 792835 |
| 48 | Valve Cover Plate | 8 | 794284 |
| | Valve Cover Plate TNT-12 | | 792817 |
| 49 | Valve Cap | 4 | 792003 |
| | Valve Cap TNT-12 | | 792804 |
| 60H | Gasket - Valve * | 8 | 794198 |
| 61K | O-Ring (Buna-N) Std * | 2 | 792315 |
| | O-Ring (FKM) * | | 792316 |
| | O-Ring (PTFE) * | | 792317 |
| | O-Ring (Neoprene) * | | 792318 |
| | O-Ring (Ethylene Propylene) * | | 792319 |
| 61M | O-Ring (Buna-N) Std * | 2 | 792060 |
| | O-Ring (FKM) * | | 792061 |
| | O-Ring (PTFE) * | | 792062 |
| | O-Ring (Neoprene) * | | 792063 |
| | O-Ring (Ethylene Propylene) * | | 792064 |

| Ref | Description | Qty | Part No |
|-----|--|-----|---------|
| 61S | O-Ring (Buna-N) Std * | 8 | 792306 |
| | O-Ring (FKM) * | | 792308 |
| | O-Ring (PTFE) * | | 792307 |
| | O-Ring (Neoprene) * | | 792309 |
| | O-Ring (Ethylene Propylene) * | | 792310 |
| 61T | O-Ring (Buna-N) Std * | 8 | 792112 |
| | O-Ring (FKM) * | | 792213 |
| | O-Ring (PTFE) * | | 792210 |
| | O-Ring (Neoprene) * | | 792110 |
| 61Z | O-Ring (Ethylene Propylene) * | 4 | 792206 |
| | O-Ring (Buna-N) Std * | | 792311 |
| | O-Ring (FKM) * | | 792313 |
| | O-Ring (PTFE) * | | 792312 |
| | O-Ring (Neoprene) * | | 792314 |
| 63M | O-Ring (Ethylene Propylene) * | | 792320 |
| | Capscrew - Hex Hd | | 24 |
| 63R | Capscrew - Hex Hd | 8 | 797093 |
| | Capscrew – Stainless Steel # | | 794097 |
| 63Y | Capscrew - Hex Hd | 32 | 920518 |
| | Capscrew – Stainless Steel # | | 793094 |
| 65B | Valve Holddown Screw | 8 | 793153 |
| | Valve Holddown Screw TNT-12 | | 792002 |
| 69A | Piston Nut | 2 | 792806 |
| | Piston Nut TNT-12 | | 790487 |
| 73E | Pipe Plug - 1/4 | 4 | 792857 |
| 75D | Tube Elbow | 1 | 908198 |
| 75E | Tube Tee | 3 | 790355 |
| 76D | Tube 1/4" SS | 2 | 790356 |
| 76H | Tube 1/4" SS | 1 | 790115 |
| 96A | Pipe Plug - 1/4 Socket | 4 | 790116 |
| 96B | Pipe Plug - 1/8 Socket | 2 | 790488 |
| 98A | Actuator Assembly | 4 | 790309 |
| | Actuator Assembly, for SS Valve | | 794296 |
| 98B | Unloader Post w/bolt ¹ | 4 | 794298 |
| | Unloader Post w/bolt ¹ , for SS Valve | | 793291 |
| 98C | Unloader Piston | 4 | 794291 |
| 98D | Unloader Body | 4 | 793288 |
| 98E | Unloader Plunger | 4 | 793286 |
| 98F | Unloader Seal | 8 | 794290 |
| 98H | Lockwasher (2 piece) | 4 | 792284 |
| 98G | Unloader Cap | 4 | 793473 |

* Included in Gasket Sets

Standard with TNT-12 Cylinder

¹ Unloader Post with bolt replaces earlier style unloader post with retainer ring.

Suggested Spare Parts for HD943B and HDL943B Compressors:

| HD943B Part # | HDL943B Part # | Description | Qty./ Unit | Comm. Qty. | Spare Qty. |
|--|----------------|--|------------|------------|------------|
| 794992 | 794992 | Gasket Set - Buna-N, Iron | 1 | 1 | 1 |
| 794993 | 794993 | Gasket Set - PTFE, Iron * | | | |
| 794994 | 794994 | Gasket Set - FKM, Iron * | | | |
| 794995 | 794995 | Gasket Set - Neoprene, Iron * | | | |
| 794996 | 794996 | Gasket Set - Ethylene Propylene, Iron * | | | |
| 793660 | 793660 | Suction Valve Repair Kit | 4 | | 4 |
| 793630 | 793630 | Suction Valve Repair Kit - Stainless Steel * | | | |
| 793660 | 793660 | Discharge Valve Repair Kit | 4 | | 4 |
| 793650 | 793650 | Discharge Valve Repair Kit - Stainless Steel * | | | |
| 792284 | 792284 | Unloader Seal * | 8 | | 8 |
| 793610 | 793610 | Piston Ring - Glass/Moly Filled | 8 | 8 | 8 |
| 793612 | 793612 | Piston Ring - Poly Filled * | | | |
| 793614 | 793614 | Piston Ring Expander | 8 | | 8 |
| 794746 | 794746 | Upper Packing Ring - R/T | 10 | 10 | 10 |
| 794747 | 794747 | Upper Packing Ring - T/T | 2 | 2 | 2 |
| 794498 | 794498 | Lower Packing Set | 4 | 4 | 4 |
| 790540 | 790540 | Packing Installation Tool | 1 | | 1 |
| 794726 | 794726 | Oil Filter | 1 | 1 | 6 |
| 794727 | 794727 | Wrist Pin | 2 | | 2 |
| 794776 | 794776 | Wrist Pin Roller Bearing | 4 | 4 | 4 |
| 794710 | 794710 | Conrod Bearing | 2 | 2 | 2 |
| The following parts would normally be required only for major compressor overhaul. | | | | | |
| 794730 | 794730 | Inboard Bearing Cone | 1 | | 1 |
| 794731 | 794731 | Inboard Bearing Cup | 1 | | 1 |
| 794130 | 794130 | Outboard Bearing Cone | 1 | | 1 |
| 794131 | 794131 | Outboard Bearing Cup | 1 | | 1 |
| 794823 | 794823 | Crosshead Assembly | 2 | | 1 |
| 794767 | 794767 | Conrod Assembly | 2 | | 1 |
| 794456 | 794456 | S3R Seal | 2 | | 2 |
| 794760 | 794760 | Oil Pump Repair Kit | 1 | | |
| 794708 | 794708 | Crankshaft Assembly | 1 | | |
| 794733 | 794733 | Bearing Adjustment Shim Kit | 1 | | |
| 794704 | 794703 | Cylinder | 1 | | |
| 792855 | 792865 | Cylinder – TNT-12 * | | | |

* Optional Equipment on New Compressors