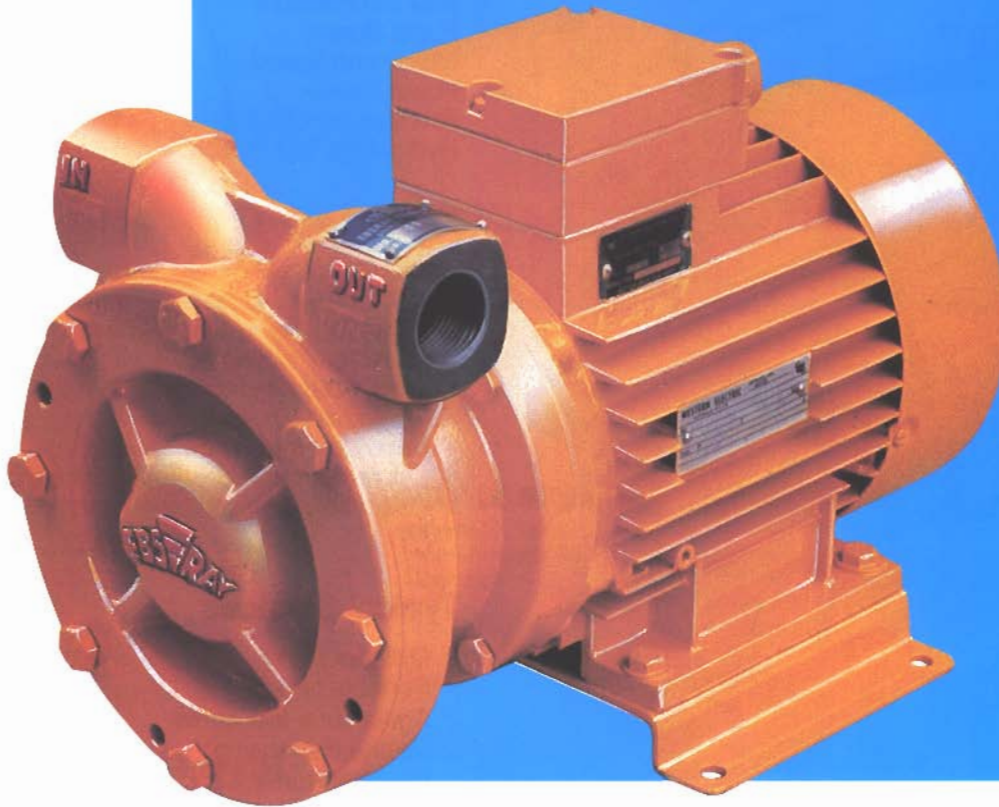


EBSRAY PUMPS



R Series Model R11

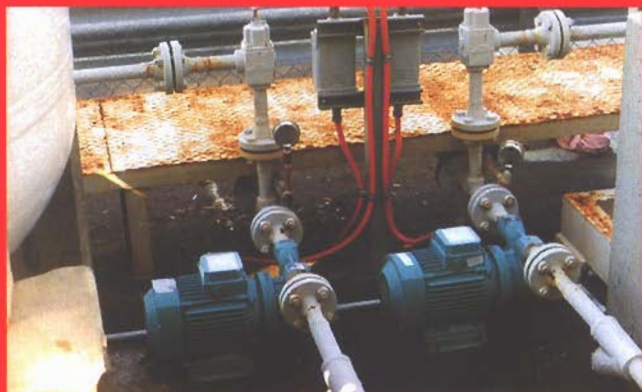
...for LPG applications

Quality System
Quality Endorsed Company
ISO 9001
Lic 3332
Standards Australia

HEAD OFFICE AND WORKS

EBSRAY
AUSTRALIA

R Series Model R11



THE EBSRAY MODEL R11 REGENERATIVE TURBINE PUMP is designed and precision built for low flow/high pressure transfer of LPG, PROPANE, BUTANE, DME etc.

Specifications

Max Flow	50 L/min @ 2880 RPM
Max Diff Pressure	1150 kPa @ 2880 RPM
Pump Speed	2880 RPM @ 50hz
Max Pump Speed	3600 RPM @ 60hz
Power Range	to 2.2 kW
Port size (inlet/outlet)	1" NPT
Hydrostatic Test Pressure	7000 kPa

Features

- ▽ Quiet operation
- ▽ Close coupled to 2 Pole motors - Three Phase or Single Phase
- ▽ Low maintenance
- ▽ Balanced mechanical seal - precision lapped faces - excellent service life
- ▽ Screwed porting - simple installation
- ▽ Throttle bush - increased safety.

Typical Services

- ✓ Cylinder filling
- ✓ Forklift refuelling
- ✓ Portable tanks
- ✓ Aerosol industries
- ✓ Agricultural industries
- ✓ Industrial dispensing
- ✓ Marine dispensing
- ✓ Driveway dispensing
- ✓ Direct burner or vaporiser feed

Allied Equipment

Manufactured by Ebsray includes Submersible, underground, aboveground and tanker/depot pumps, Bypass Valves and vented tamperproof/acoustic enclosures.

Assured Quality and Performance

EBSRAY's ISO 9001 Quality System assures compliance with the high safety and quality standards demanded by the LPG industry. All EBSRAY R11 pumps are manufactured under strict guidelines. Quality checks during production guarantee pump integrity and performance in accordance with the specifications.

All Ebsray LPG Pumps, Pumpsets and Bypass Valves are designed and manufactured in Australia and comply with the requirements of Australian Standard AS1596

Features

SHAFT SEAL

- ▼ EBSRAY balanced mechanical seal
- ▼ Lapped to precision tolerances
- ▼ Carbon against Niresist - standard sealing faces

IMPELLER

- ▼ Axially self aligning
- ▼ Quiet operation
- ▼ Gunmetal (Ductile Iron Optional)

THROTTLE BUSH

- ▼ Increased safety
- ▼ Industry accepted
- ▼ Gunmetal

CASING

- ▼ Robust
- ▼ Hydrostatically tested to 7000 kPa after assembly
- ▼ 'O' ring sealed
- ▼ Ductile Iron to ASTM A395

SHAFT SEAL

- ▼ EBSRAY balanced mechanical seal
- ▼ Lapped to precision tolerances
- ▼ Carbon against Niresist - standard sealing faces

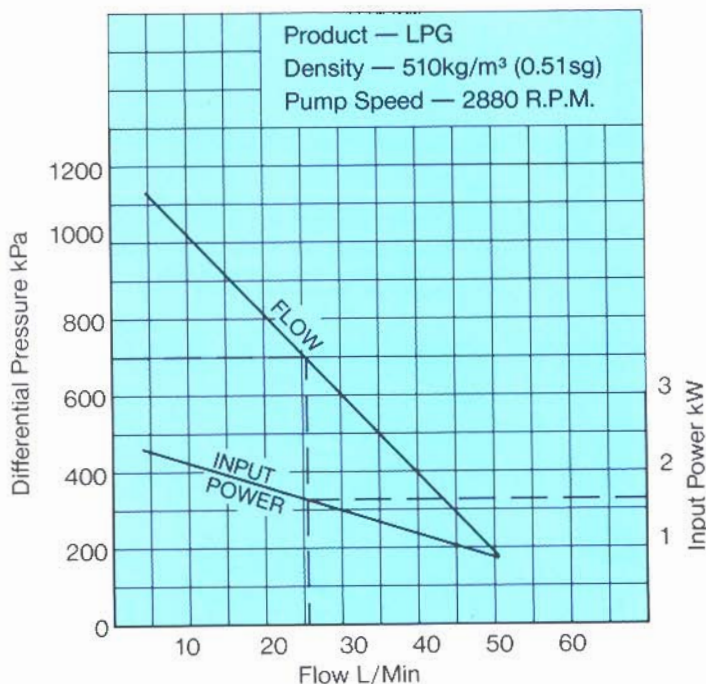
CLOSE COUPLED UNIT CONSTRUCTION

- ▼ Compact
- ▼ Ease of installation
- ▼ No coupling to align

MOTOR

- ▼ Class 1 Zone 1 Group II for hazardous locations
- ▼ Fully enclosed ball bearing housings
- ▼ Lubrication sufficient for several years of normal service
- ▼ IP55 Protection
- ▼ **Single phase:** 50hz 240 volts 1.8 kW
- ▼ **Three phase:** 50hz 380 to 440 volts 2.2 kW

Performance



Example:

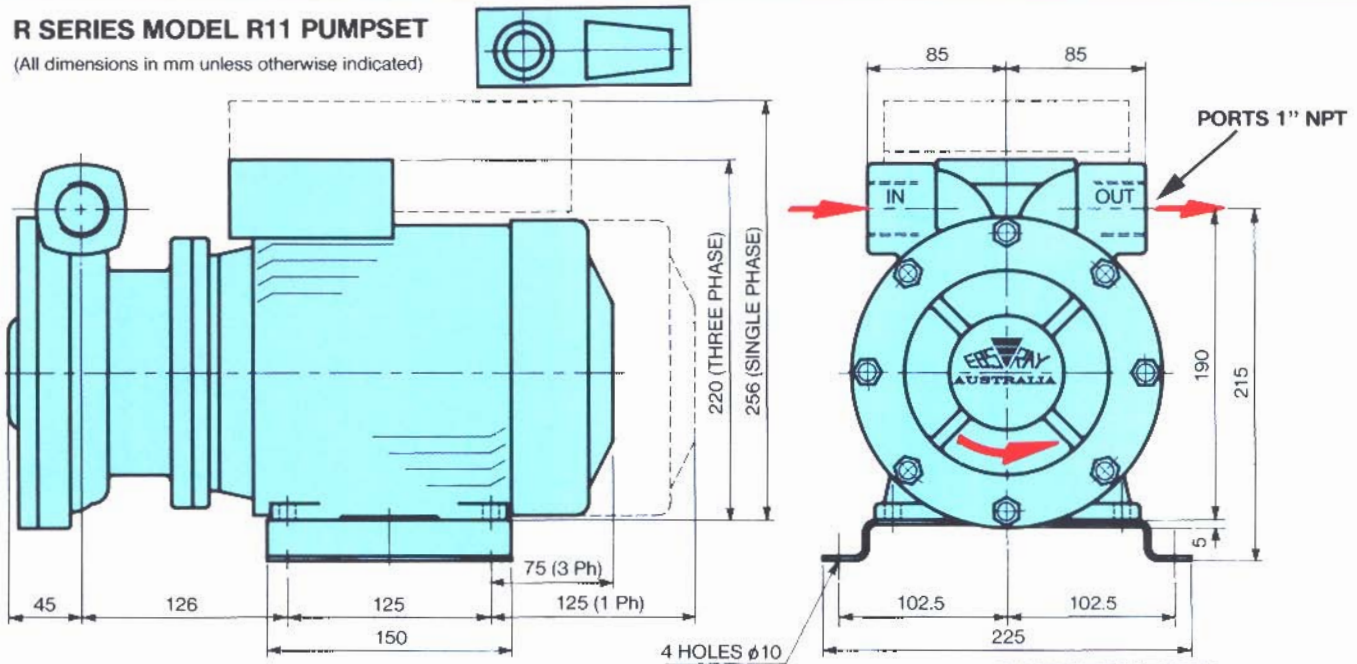
Differential Pressure	700kPa
Flow	26.5 l/min
Input Power	1.6kW

Note:
For 60 Hz (3500 RPM) operation, refer to specific performance curve

Dimensions

R SERIES MODEL R11 PUMPSET

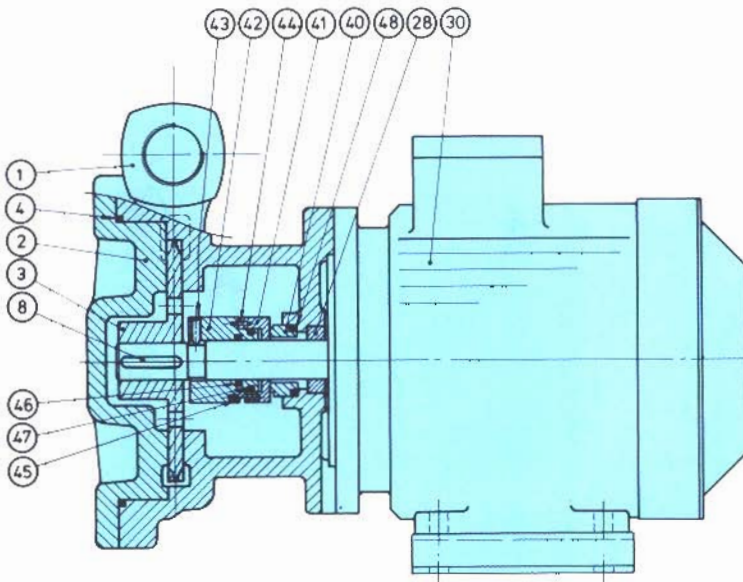
(All dimensions in mm unless otherwise indicated)



PUMPSET WEIGHT

Single Phase (unpacked)	37 kg
Three Phase (unpacked)	31 kg

Parts Designation



No.	Description	Material	Qty
1	Body	Ductile Iron	1
2	Cover	Ductile Iron	1
3	Impeller	Gunmetal	1
4	'O' Ring - Cover	Nitrile	1
8	Impeller Key	Steel	1
28	Throttle Bush	Gunmetal	1
30	Motor	Commercial	1
40	Seal Seat - Static	Carbon	1
41	Seal Face - Dynamic	Niresist	1
42	Seal Sleeve	Steel	1
43	Grub Screw - Seal Sleeve	Stainless Steel	2
44	Drive Pin - Seal Face	Steel	1
45	Seal Spring	Stainless Steel	6
46	'O' Ring - Shaft	Nitrile	1
47	'O' Ring - Seal Sleeve	Nitrile	1
48	'O' Ring - Seal Seat	Nitrile	1

NOTE: All specifications and illustrations are typical only and subject to revision without notice. Certified data available on request

DISTRIBUTED BY

EBS-RAY PUMPS PTY. LIMITED

ACN 000 061 003

Head Office and Works
628 Pittwater Road
Brookvale NSW 2100 Australia
Telephone (61 2) 9905 0234
Fax (61 2) 9938 3825
www.ebsraypumps.com.au

Branch Office Victoria
Phone (03) 9706 7263
Fax (03) 9706 7312
Branch Office Queensland
Phone (07) 3260 7411
Fax (07) 3260 7422

