

Established Flow Measurement for Extracorporeal Applications



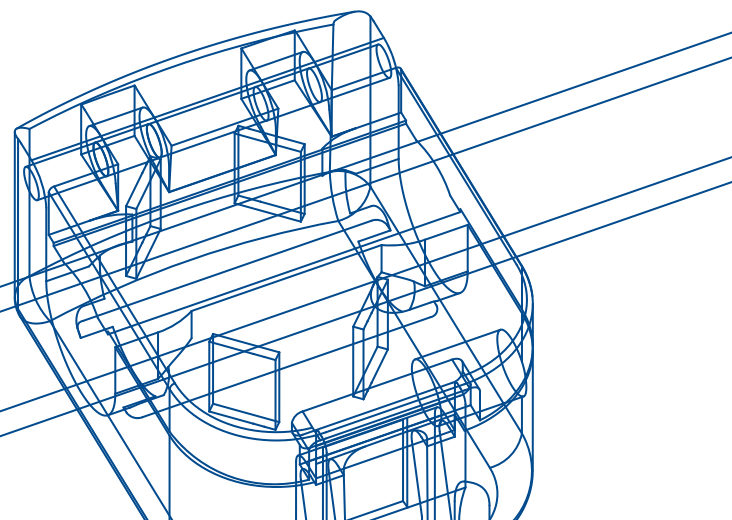
em-tec offers reliable and established products for the non-invasive flow measurement on extracorporeal circulation systems.

For decades, our products have been successfully used on circulating loops of heart-lung-machines, ECMOs and in the field or organ perfusion.

The SonoTT™ FlowMeasurement System was developed for the independent flow measurement without media contact on all common medical tube systems and allows for an additional monitoring of the arterial supply line.

30 Years Passion for Flow

Use our expertise and integrate the SonoTT™ FlowMeasurement System into your application!



Established Flow Measurement for Extracorporeal Applications



SonoTT™ Ultrasonic FlowComputer

Compact device for the evaluation and display of the flow on extracorporeal tubing systems.

- Addition to flow monitoring on heart-lung machines and ECMOs.
- Additional monitoring of another supply line of the artery, such as in the distal leg perfusion.
- Ultrasonic safety according to IEC 60601-2-37.
- Easy handling.
- Numerical and graphic display of flow values.
- Measurement of flow rates of up to 32 l/min.
- Transfer of flow values to a computer through digital interfaces (RS-232).
- Acoustic information for upper and lower flow limits.
- Optional: second flow channel.

SonoTT™ Clamp-On Transducer

Ultrasonic sensor for the flow measurement on flexible tubing – hygienic and without media contact.

- Easy attachment through simple click-fastening.
- Water-proof design for surface disinfection and reusability.
- Customer-specific calibration for maximum measurement accuracy (temperature, medium, tube material).
- For the highest possible flexibility up to seven calibration tables and their respective applications per sensor.
- Sensors for all common medical tube sizes.
- Always used in combination with the SonoTT™ Ultrasonic FlowComputer.

Product Range and Order Number

SonoTT™ Clamp-On Transducer

Sensor Type	Max Flow Rate* [l/min]	Tube Size**				Order Number
		ID [in]	WT [in]	ID [mm]	WT [mm]	
CT 6,8 mm	up to ± 6	11/64	3/64	4.30	1.25	13479
CT 3/16 x 1/16"	up to ± 6	3/16	1/16	4.76	1.59	13481
CT 1/4 x 1/16"	up to ± 8	1/4	1/16	6.35	1.59	13475
CT 1/4 x 3/32"	up to ± 8	1/4	3/32	6.35	2.38	13478
CT 3/8 x 1/16"	up to ± 10	3/8	1/16	9.53	1.59	13480
CT 3/8 x 3/32"	up to ± 10	3/8	3/32	9.53	2.38	13476
CT 1/2 x 3/32"	up to ± 20	1/2	3/32	12.70	2.38	13477

* dependent on the medium, bi-directional, standard calibration for 37°C/blood, calibration is done using water

** ID = inner diameter, WT= wall thickness

SonoTT™ Ultrasonic FlowComputer

FlowComputer Variant	Order Number
1-Channel	13338
2-Channel	13339

SonoTT™ LFM en - V2.3 | EMT-20000-F-02-A4

Copyright 2021 PSG®, a Dover company

Authorized PSG® Partner:

Where Innovation Flows



em-tec

MEDICAL

em-tec GmbH

Lerchenberg 20

86923 Finning, Germany

P: +49 8806 9236 0

F: +49 8806 9236 50

E: em-tec-info@psgdover.com

em-tec.de