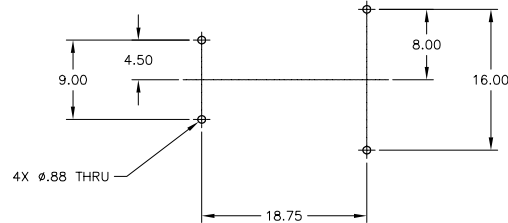
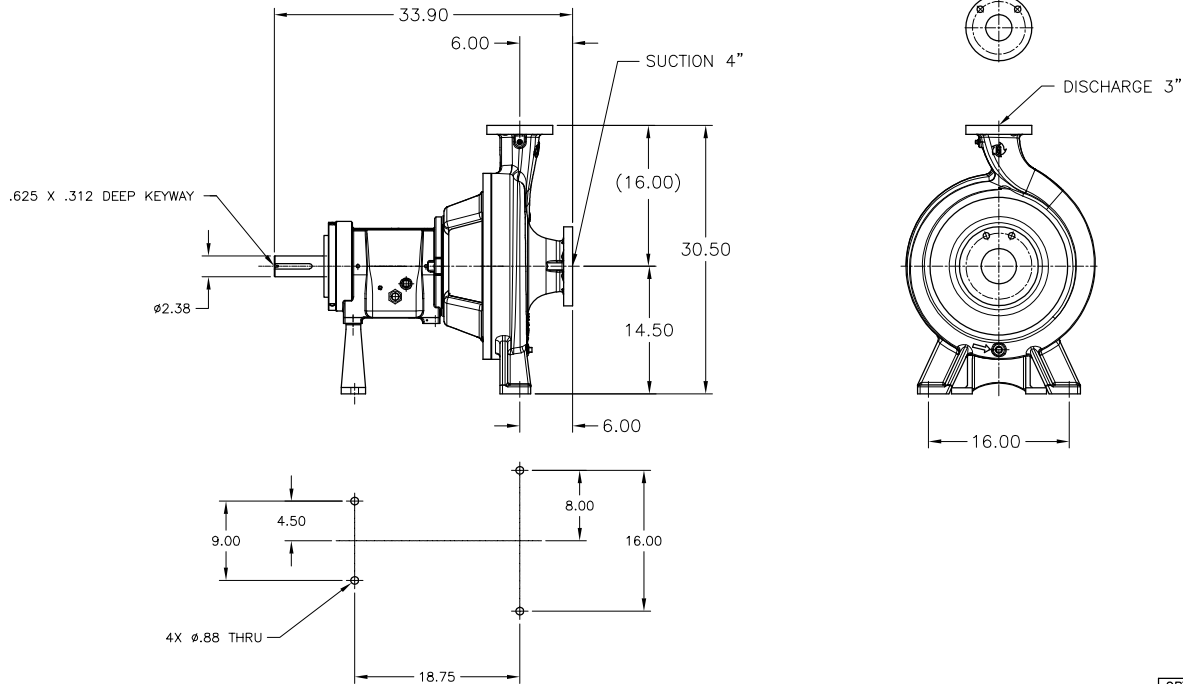


REV.	DESCRIPTION	BY	CHK.	APP.	DATE
A	RELEASED INTO PRODUCTION SEE ECN #GRT001468	-	-	-	-

NOTES: UNLESS OTHERWISE SPECIFIED

1. DIMENSIONS AND TOLERANCES PER ASME Y14.5M-1994.
2. * INDICATES DIMENSIONS AND/OR FEATURES MODIFIED ON CURRENT REVISION LEVEL.
3. DIMENSIONS REFLECT STANDARD MFG TOLERANCES.
4. WEIGHTS ARE APPROXIMATE AND MAY VARY BASED ON MANUFACTURER'S MATERIALS AND PUMP CONFIGURATION.



**CERTIFIED
FOR
CONSTRUCTION**

ONLY WHEN SIGNED

Signature _____
Date _____

Customer _____

Customer P.O. # _____

OPTION	AVAILABLE OPTIONS
<input checked="" type="checkbox"/>	PUMP MATERIAL
	N6 DUCTILE IRON
	N6 DUCTILE IRON / 91 SS IMPELLER
	91 STAINLESS STEEL
	20 HASTELLOY
	X4 CD4MCU SS
	OTHER
	FLANGE FACE
	FLAT FACE
	RAISED FACE

FLANGE OPTION DIMENSIONS

OPTION	NOMINAL PIPE SIZE	FLANGE DIAMETER	BOLT CIRCLE DIAMETER	NO. OF BOLTS	DIAMETER OF BOLTS	BOLT HOLE	FLANGE
<input checked="" type="checkbox"/>	3" ASME 150# (SHOWN)						DISCHARGE
	3.00	7.50	6.00	4	0.63	0.75	
<input checked="" type="checkbox"/>	4" ASME 150# (SHOWN)						SUCTION
	4.00	9.00	7.50	8	0.63	0.75	
<input checked="" type="checkbox"/>	3" ASME 300#						DISCHARGE
	3.00	8.25	6.62	8	0.75	0.88	
<input checked="" type="checkbox"/>	4" ASME 300#						SUCTION
	4.00	10.00	7.88	8	0.75	0.88	

4. PUMP WT. - 637 LBS

DO NOT SCALE DRAWING UNLESS OTHERWISE SPECIFIED DIMENSIONS ARE IN INCHES TOLERANCES ARE:			GRISWOLD PUMP COMPANY 22869 VAN BUREN STREET GRAND TERRACE, CA 92313-5667 PHONE: (909) 843-8222 / (229) 228-5255 WWW.GRISWOLDPUMP.COM	
	TITLE: 4 x 3 - 17 ANSI PEO, XL PF			
DECIMALS .XX ± -	DRAWN BY R. ANDRADE	DATE 00/00/00	ASSY. NO. .	
ANGLES ± -	CHECKED BY T. VOVAN	DATE 08/04/21	DRAWING NO. .	
SCALE NONE	APPROVED BY R. BEACH	DATE 08/04/21	REV. .	
SHEET 1 OF 1			LG2021	

THIS DOCUMENT AND ITS CONTENTS ARE PROPRIETARY TO GRISWOLD PUMP. ANY REPRODUCTION, DISCLOSURE OR USE OF THIS DOCUMENT IS EXPRESSLY PROHIBITED EXCEPT AS OTHERWISE AGREED TO IN WRITING.