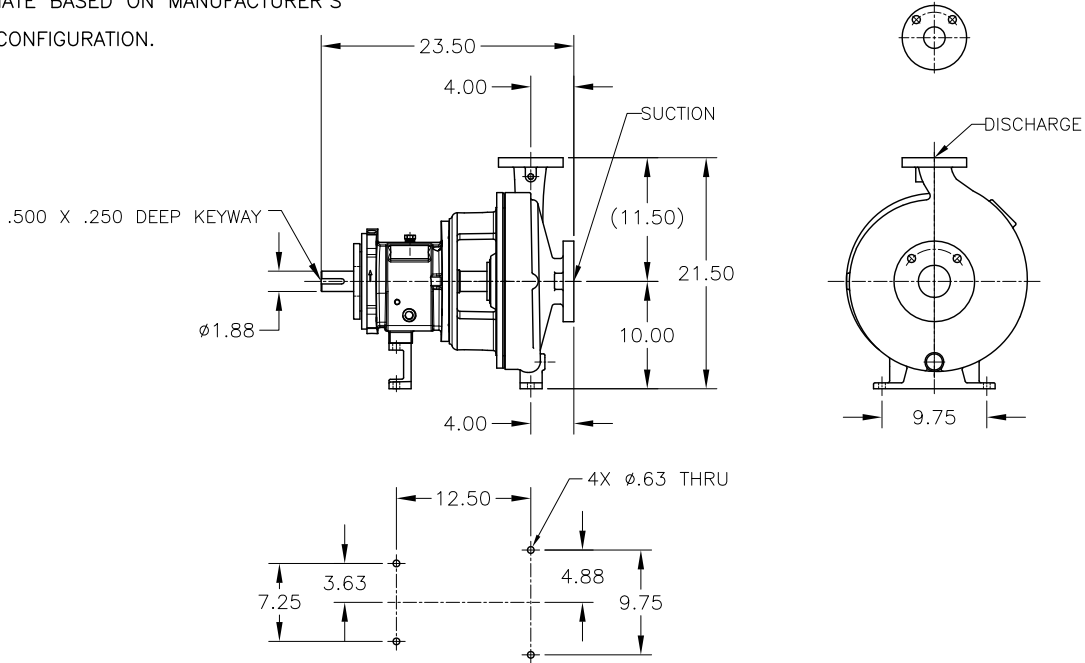


NOTES: UNLESS OTHERWISE SPECIFIED

1. DIMENSIONS AND TOLERANCES PER ASME Y14.5M-1994.
2. * INDICATES DIMENSIONS AND/OR FEATURES MODIFIED ON CURRENT REVISION LEVEL.
3. DIMENSIONS REFLECT STANDARD MFG TOLERANCES.
4. WEIGHTS ARE APPROXIMATE BASED ON MANUFACTURER'S MATERIALS AND PUMP CONFIGURATION.

REV.	DESCRIPTION	BY	CHK.	APP.	DATE
A	RELEASED INTO PRODUCTION SEE ECN #G01031	-	-	-	-



FLANGE OPTION DIMENSIONS							
OPTION	NOMINAL PIPE SIZE	FLANGE DIAMETER	BOLT CIRCLE DIAMETER	NO. OF BOLTS	DIAMETER OF BOLTS	BOLT HOLE	FLANGE
✓	2" ASME 150# (SHOWN)						DISCHARGE
	2.00	6.00	4.75	4	0.63	0.75	
✓	3" ASME 150# (SHOWN)						SUCTION
	3.00	7.50	6.00	4	0.63	0.75	
✓	2" ASME 300#						DISCHARGE
	2.00	6.50	5.00	8	0.63	0.75	
✓	3" ASME 300#						SUCTION
	3.00	8.25	6.62	8	0.75	0.88	
✓	50 mm DIN PN16						DISCHARGE
	50 mm	165 mm	125 mm	4	16 mm	19 mm	
✓	80 mm DIN PN16						SUCTION
	80 mm	200 mm	160 mm	8	16 mm	19 mm	

CERTIFIED FOR CONSTRUCTION

ONLY WHEN SIGNED

Signature _____
Date _____

Customer _____

Customer P.O. # _____

OPTION	AVAILABLE OPTIONS
✓	PUMP MATERIAL
	N6 DUCTILE IRON
	N6 DUCTILE IRON CASE / 91 SS IMPELLER
	91 STAINLESS STEEL
	20 HASTELLOY
	X4 CD4MCU SS
	OTHER:
	FLANGE FACE
	FLAT FACE
	RAISED FACE

4. PUMP WT.- 309 LBS

DO NOT SCALE DRAWING UNLESS OTHERWISE SPECIFIED DIMENSIONS ARE IN INCHES TOLERANCES ARE:	
DECIMALS .XX ± -	
.XXX ± -	
ANGLES ± -	
SCALE -	SHEET 1 OF 1

		GRISWOLD PUMP COMPANY 22965 VAN BUREN STREET GRAND TERRACE, CA 92314-9697 PHONE: (909) 942-2022 / (925) 226-5255 WWW.GRISWOLDPUMP.COM	
TITLE 3x2-13 (A30), ANSI PEO, LG PF			
DRAWN BY	R. Schwartz	DATE	1/17/17
CHECKED BY	R. Beach	DATE	1/26/17
APPROVED BY	B. Backman	DATE	1/26/17
ASSY. NO.		DRAWING NO.	LG0774
REV.			A

THIS DOCUMENT AND ITS CONTENTS ARE PROPRIETARY TO GRISWOLD PUMP. ANY REPRODUCTION, DISCLOSURE OR USE OF THIS DOCUMENT IS EXPRESSLY PROHIBITED EXCEPT AS OTHERWISE AGREED TO IN WRITING.