

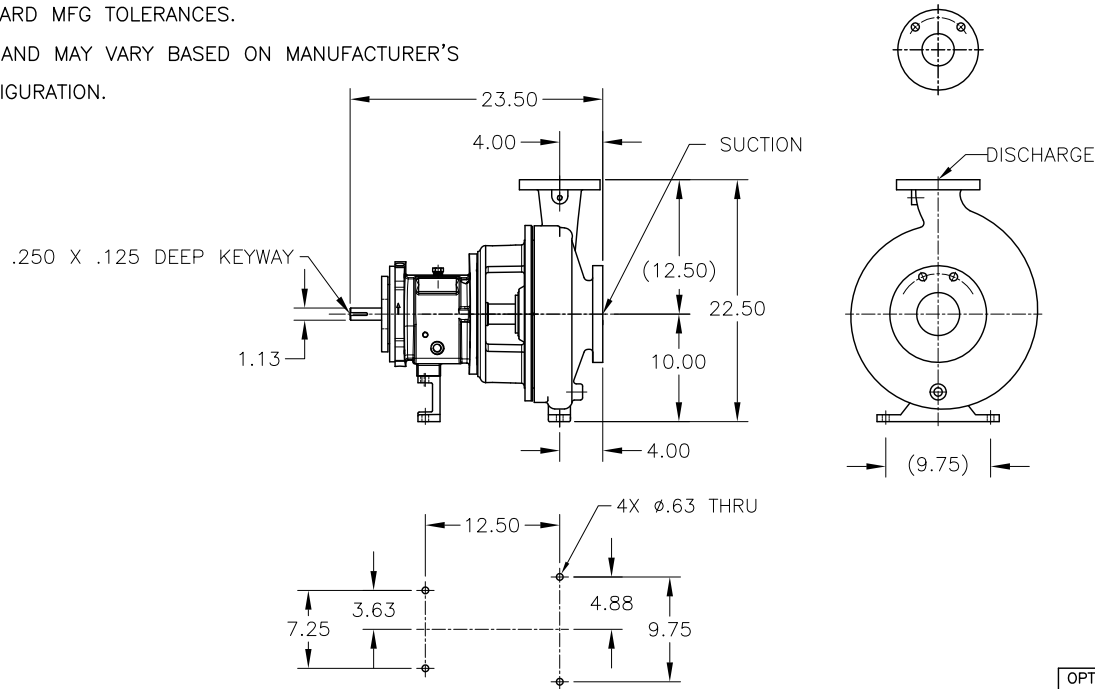
REV.	DESCRIPTION	BY	CHK.	APP.	DATE
A	RELEASED INTO PRODUCTION SEE ECN #G01031	-	-	-	-

NOTES: UNLESS OTHERWISE SPECIFIED

- DIMENSIONS AND TOLERANCES PER ASME Y14.5M-1994.
- \* INDICATES DIMENSIONS AND/OR FEATURES MODIFIED ON CURRENT REVISION LEVEL.

3. DIMENSIONS REFLECT STANDARD MFG TOLERANCES.

4. WEIGHTS ARE APPROXIMATE AND MAY VARY BASED ON MANUFACTURER'S MATERIALS AND PUMP CONFIGURATION.



FLANGE OPTION DIMENSIONS

OPTION	NOMINAL PIPE SIZE	FLANGE DIAMETER	BOLT CIRCLE DIAMETER	NO. OF BOLTS	DIAMETER OF BOLTS	BOLT HOLE	FLANGE
✓	3" ASME 150# (SHOWN)						DISCHARGE
	3.00	7.50	6.00	4	0.63	0.75	
	4" ASME 150# (SHOWN)						SUCTION
	4.00	9.00	7.50	8	0.63	0.75	
	3" ASME 300#						DISCHARGE
	3.00	8.25	6.62	8	0.75	0.88	
	4" ASME 300#						SUCTION
	4.00	10.00	7.88	8	0.75	0.88	
	80 mm DIN PN16						DISCHARGE
	80 mm	200 mm	160 mm	8	16 mm	19 mm	
	100 mm DIN PN16						SUCTION
	100 mm	220 mm	180 mm	8	16 mm	19 mm	

**CERTIFIED FOR CONSTRUCTION**

ONLY WHEN SIGNED

Signature \_\_\_\_\_  
Date \_\_\_\_\_  
Customer \_\_\_\_\_  
Customer P.O. # \_\_\_\_\_

⚠ PUMP WT.- 343 LBS

OPTION	AVAILABLE OPTIONS
✓	PUMP MATERIAL
	N6 DUCTILE IRON
	N6 DUCTILE IRON CASE / 91 SS IMPELLER
	91 STAINLESS STEEL
	20 HASTELLOY
	X4 CD4MCU SS
	OTHER:
	FLANGE FACE
	FLAT FACE
	RAISED FACE

DO NOT SCALE DRAWING UNLESS OTHERWISE SPECIFIED DIMENSIONS ARE IN INCHES TOLERANCES ARE:		GRISWOLD PUMP COMPANY 22960 VAN BUREN STREET GRAND TERRACE, CA 92313-9697 PHONE: (909) 942-2222 / (925) 226-5255 WWW.GRISWOLDPUMP.COM	
DECIMALS .XX ± -	.XXX ± -	TITLE 4x3-13 (A40) PEO, MD PF	
ANGLES ± -	SCALE 1/8	SHEET 1 OF 1	DRIVEN BY R. Schwartz DATE 1/18/17 ASSY. NO. _____
			CHECKED BY R. Beach DATE 1/26/17 DRAWING NO. _____
			APPROVED BY B. Backman DATE 1/26/17 LG0781 REV. A

THIS DOCUMENT AND ITS CONTENTS ARE PROPRIETARY TO GRISWOLD PUMP ANY REPRODUCTION, DISCLOSURE OR USE OF THIS DOCUMENT IS EXPRESSLY PROHIBITED EXCEPT AS OTHERWISE AGREED TO IN WRITING.