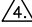
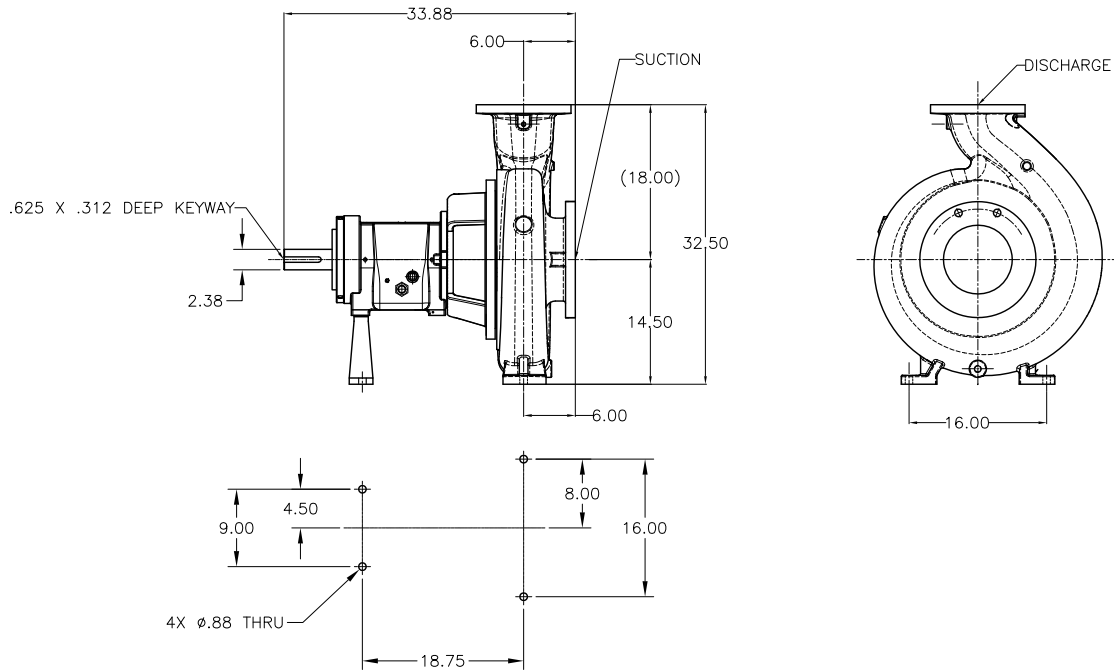


CAD generated and maintained drawing. All printed and electronic copies outside of Griswold's engineering database are "Uncontrolled" and shall be used for reference only.

REV.	DESCRIPTION	BY	CHK.	APP.	DATE
A	RELEASED INTO PRODUCTION SEE ECN #G01031	-	-	-	-

NOTES: UNLESS OTHERWISE SPECIFIED

- DIMENSIONS AND TOLERANCES PER ASME Y14.5M-1994.
- * INDICATES DIMENSIONS AND/OR FEATURES MODIFIED ON CURRENT REVISION LEVEL.
- DIMENSIONS REFLECT STANDARD MFG TOLERANCES.
-  WEIGHTS ARE APPROXIMATE AND MAY VARY BASED ON MANUFACTURER'S MATERIALS AND PUMP CONFIGURATION.



OPTION	AVAILABLE OPTIONS
<input checked="" type="checkbox"/>	PUMP MATERIAL
	N6 DUCTILE IRON
	N6 DUCTILE IRON CASE / 91 SS IMPELLER
	91 STAINLESS STEEL
	20 HASTELLOY
	X4 CD4MCU SS
	OTHER:
	FLANGE FACE
	RAISED FACE

FLANGE OPTION DIMENSIONS							
OPTION	NOMINAL PIPE SIZE	FLANGE DIAMETER	BOLT CIRCLE DIAMETER	NO. OF BOLTS	DIAMETER OF BOLTS	BOLT HOLE	FLANGE
<input checked="" type="checkbox"/>	6" ASME 150# (SHOWN)						DISCHARGE
	6.00	11.00	9.50	8	0.75	0.88	
<input checked="" type="checkbox"/>	8" ASME 150# (SHOWN)						SUCTION
	8.00	13.50	11.75	8	0.75	0.88	
<input type="checkbox"/>	6" ASME 300#						DISCHARGE
	6.00	12.50	10.62	12	0.75	0.88	
<input type="checkbox"/>	8" ASME 300#						SUCTION
	8.00	15.00	13.00	12	0.88	1.00	
<input type="checkbox"/>	150 mm DIN PN16						DISCHARGE
	150 mm	285 mm	240 mm	8	20 mm	23 mm	
<input type="checkbox"/>	200 mm DIN PN16						SUCTION
	200 mm	340 mm	295 mm	12	20 mm	23 mm	

CERTIFIED FOR CONSTRUCTION

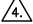
ONLY WHEN SIGNED


Signature _____

Date _____

Customer _____

Customer P.O. # _____

 PUMP WT. - 703 LBS

DO NOT SCALE DRAWING UNLESS OTHERWISE SPECIFIED DIMENSIONS ARE IN INCHES TOLERANCES ARE:				GRISWOLD PUMP COMPANY 22965 VAN BUREN STREET GRAND TERRACE, CA 92313-9697 PHONE: (909) 943-2222 / (925) 226-5255 WWW.GRISWOLDPUMP.COM	
DECIMALS .XX ± -		TITLE 8 X 6 - 17 A110 ANSI PEO, XL PF			
.XXX ± -		DRAWN BY R. Schwartz		DATE 01/26/17	
ANGLES ± -		CHECKED BY R. Beach		DATE 1/26/17	
SCALE 1/8		SHEET 1 OF 1		APPROVED BY B. Backman	
		DATE 1/26/17		DRAWING NO. LG0792	
				REV. A	

THIS DOCUMENT AND ITS CONTENTS ARE PROPRIETARY TO GRISWOLD PUMP ANY REPRODUCTION, DISCLOSURE OR USE OF THIS DOCUMENT IS EXPRESSLY PROHIBITED EXCEPT AS OTHERWISE AGREED TO IN WRITING.