



Model 3X1.5-10 & 3X1.5-10T – Close-Coupled Configuration

PERFORMANCE

850CC/3X1.5-10/4P

Max. Flow Rate: 145 gpm

Max. Head: 11 ft.

Max. Working Temperature: 120° F

Max. Working Pressure: 100 psi

Max. Rated Speed: 1800 RPM

Max. Particle Size: 0.5" Diameter

Hydrotest Pressure: 150 psi

850CC/3X1.5-10T/2P

Max. Flow Rate: 316 gpm

Max. Head: 438 ft.

Max. Working Temperature: 120° F

Max. Working Pressure: 225 psi

Max. Rated Speed: 3600 RPM

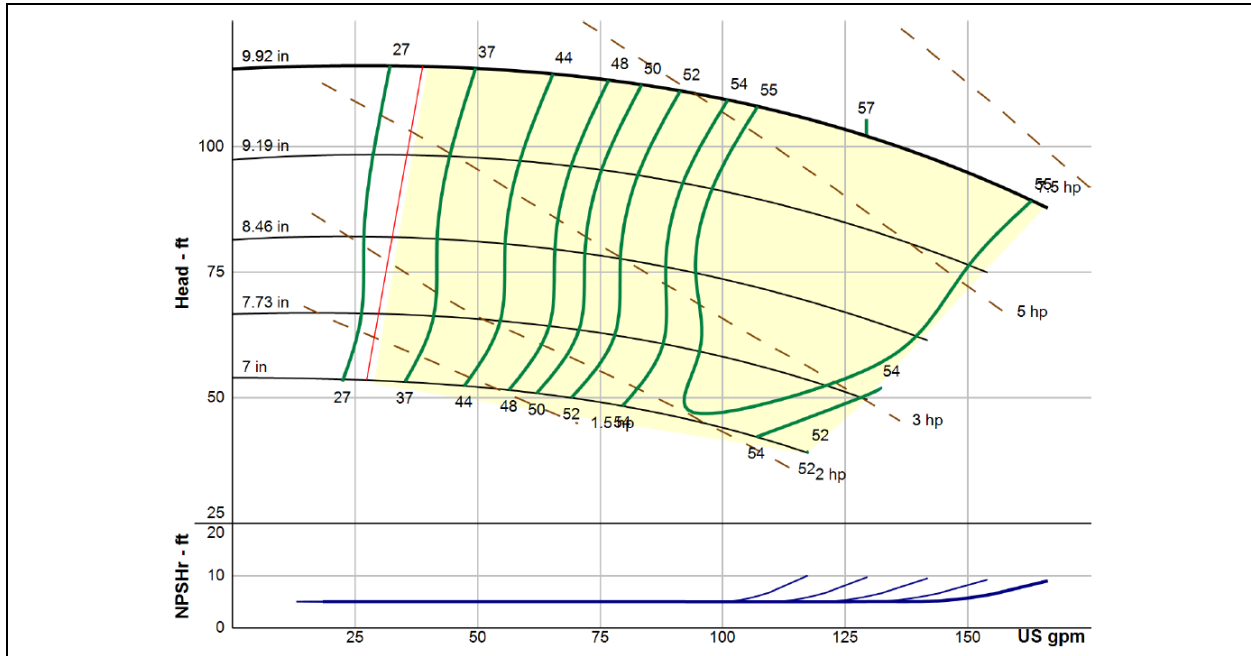
Max. Particle Size: 0.5" Diameter

Hydrotest Pressure: 338 psi

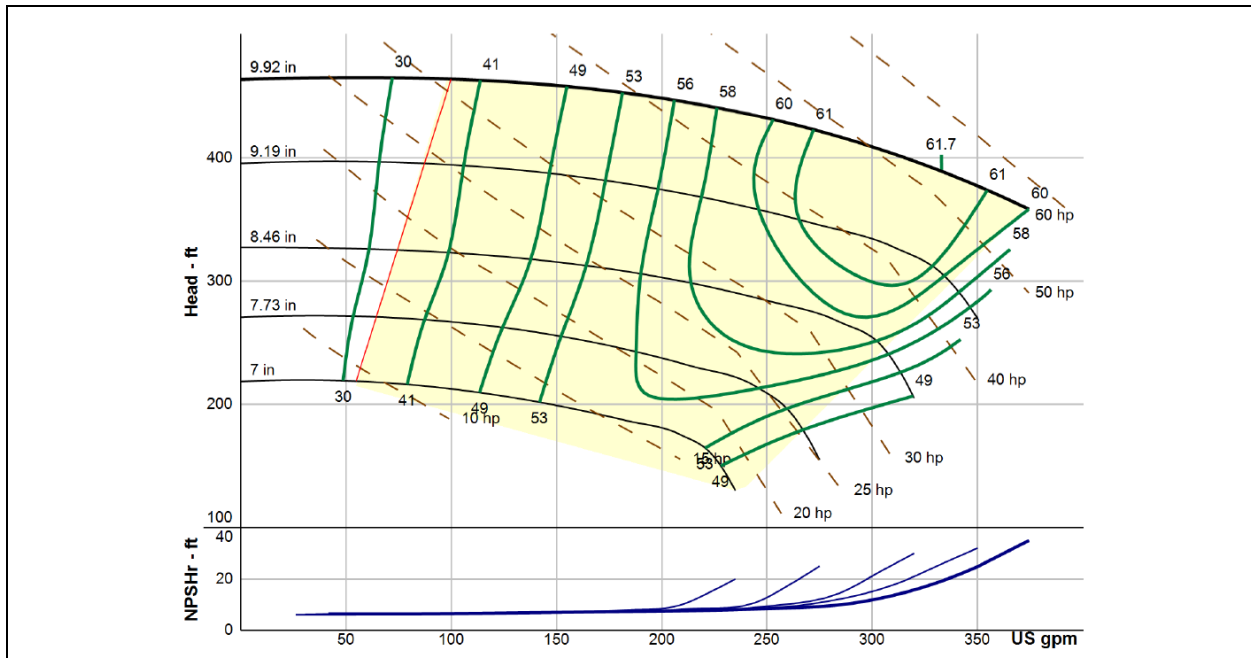
850 Series Model: 850CC/3X1.5-10/4P	PEI_{CL} 0.93	Impeller Diameter: 9.920 in.
850 Series Model: 850CC/3X1.5-10T/2P	PEI_{CL} 0.93	Impeller Diameter: 9.920 in.



PERFORMANCE CURVE – 850CC/3X1.5-10/4P, 1800 RPM

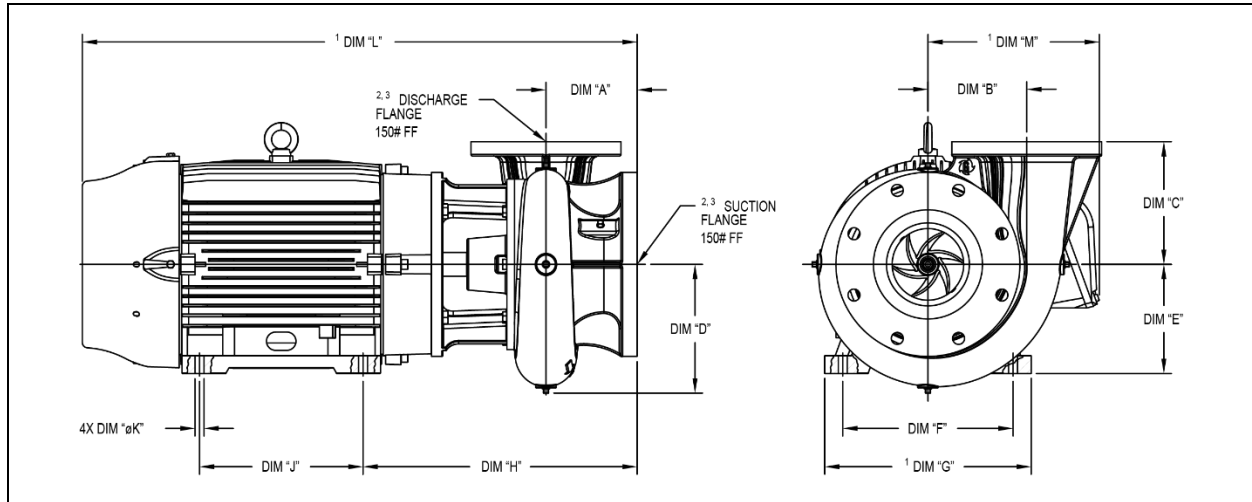


PERFORMANCE CURVE – 850CC/3X1.5-10T/2P, 3600 RPM



850 Series Model: 850CC/3X1.5-10/4P	PEI_{CL} 0.93	Impeller Diameter: 9.920 in.
850 Series Model: 850CC/3X1.5-10T/2P	PEI_{CL} 0.93	Impeller Diameter: 9.920 in.

DIMENSIONS (INCHES)



Motor Frame	Suction	Discharge	DIM "A"	DIM "B"	DIM "C"	DIM "D"	DIM "E"	DIM "F"	DIM "G"	DIM "H"	DIM "J"	DIM "ØK"	DIM "L"	DIM "M"
143JM	3.00	1.50	4.00	5.50	6.75	6.81	3.50	5.50	6.46	7.07	4.00	0.34	18.93	6.26
145JM	3.00	1.50	4.00	5.50	6.75	6.81	3.50	5.50	6.46	7.06	5.00	0.34	19.92	6.22
182JM	3.00	1.50	4.00	5.50	6.75	6.81	4.50	7.50	8.66	7.26	4.50	0.41	20.65	7.56
184JM	3.00	1.50	4.00	5.50	6.75	6.81	4.50	7.50	8.66	7.26	5.50	0.41	21.65	7.54
213JM	3.00	1.50	4.00	5.50	6.75	6.81	5.25	8.50	9.76	8.01	5.50	0.41	23.17	8.67
215JM	3.00	1.50	4.00	5.50	6.75	6.81	5.25	8.50	9.76	8.01	7.00	0.41	24.63	8.66
254JP	3.00	1.50	4.00	5.50	6.75	6.81	6.25	10.00	12.13	11.79	8.25	0.53	30.76	10.40
256JP	3.00	1.50	4.00	5.50	6.75	6.81	6.25	10.00	12.13	11.79	10.00	0.53	32.49	10.19
284JP	3.00	1.50	4.00	5.50	6.75	6.81	7.00	11.00	13.78	16.26	9.50	0.53	33.30	11.07
286JP	3.00	1.50	4.00	5.50	6.75	6.81	7.00	11.00	13.78	16.26	11.00	0.53	34.80	11.07
324JP	3.00	1.50	4.00	5.50	6.75	6.81	8.00	12.50	15.16	16.75	10.50	0.66	35.85	12.57
326JP	3.00	1.50	4.00	5.50	6.75	6.81	8.00	12.50	15.16	16.75	12.00	0.66	37.34	12.57

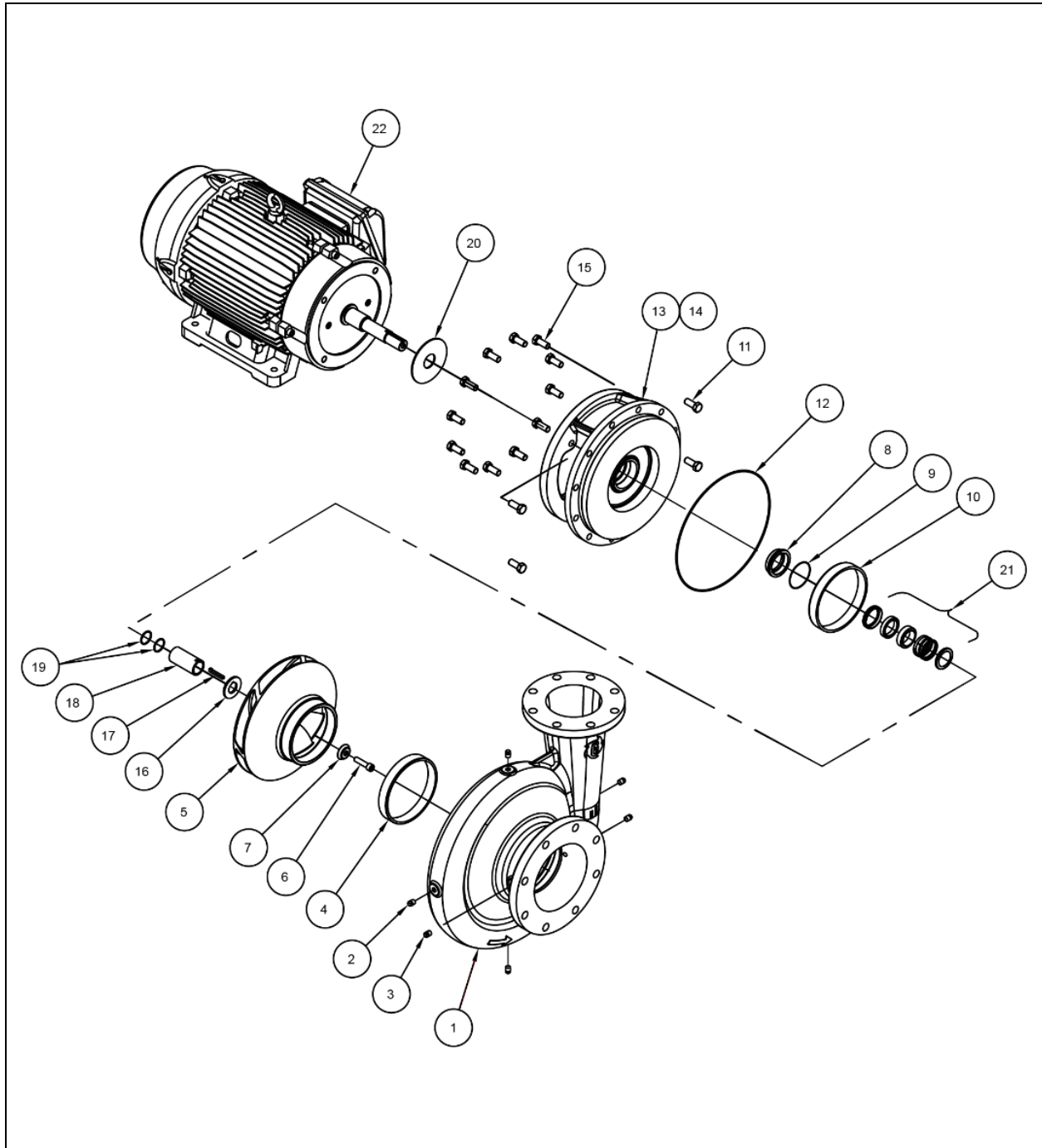
¹Dimension may vary with motor model and manufacturer

²150# Flange is dimensionally identical to a 125# Flange

³Bolt holes straddle pump centerlines

850 Series Model: 850CC/3X1.5-10/4P	PEI_{CL} 0.93	Impeller Diameter: 9.920 in.
850 Series Model: 850CC/3X1.5-10T/2P	PEI_{CL} 0.93	Impeller Diameter: 9.920 in.

EXPLODED VIEW



LG1818 REV. A

850 Series Model: 850CC/3X1.5-10/4P	PEI _{CL} 0.93	Impeller Diameter: 9.920 in.
850 Series Model: 850CC/3X1.5-10T/2P	PEI _{CL} 0.93	Impeller Diameter: 9.920 in.

850 SERIES – Model 3X1.5-10 & 3X1.5-10T



PARTS LISTING

Compatible Motor Frame Family			3x1.5-10		3x1.5-10T		Material of Construction	
			143JM, 145JM 182JM, 184JM (JM1)	213JM, 215JM (JM2)	213JP, 215JP 254JP, 256JP (JP2)	284JP, 286JP 324JP, 326JP (JP3)		
Item	Description	Qty.	P/N					
Case Kit								
1	Case Kit ^{1,3}	1	3300000K					Ductile Iron, ASTM A395
2	Case Plugs 1/4" MNPT	6	31005911					Steel
3	Case Plugs 1/2" MNPT							
4	Case Wear Ring	1	8030100					Bismuth Tin Bronze (Lead Free)
Impeller Kit								
5	Impeller, Only ⁴	1	5300200		5305400		Aluminum Bronze, ASTM B148	
	Impeller, Kit ^{4,5}	1	5300200K		5305400K		Aluminum Bronze, ASTM B148	
Back Pull Out Kit								
6	Impeller Bolt SHCS, 3/8-16 x 2.00 Lg	1	S14C375B00SH8A1				Stainless Steel	
	Impeller Bolt SHCS, 1/2-13 x 1.25 Lg	1	S14C500A25SH8A1				Stainless Steel	
7	Impeller Washer	1	14412209		14412308		300 Series Stainless Steel	
8	Seal Adapter ⁷							
9	Seal Adapter O-Ring							
10	Bracket Wear Ring	1	8030200					Bismuth Tin Bronze (Lead Free)
11	Bracket/Motor Bolts HHCS, 3/8-16 x .88 Lg	4	14129324				Steel – Grade 5	
	Bracket/Motor Bolts HHCS, 1/2-13 x 1.00 Lg	4		14178701			Steel – Grade 5	
	Bracket/Motor Bolts HHCS, 1/2-13 x 1.25 Lg	4			14133003		Steel – Grade 5	
	Bracket/Motor Bolts HHCS, 5/8-11 x 1.50 Lg	4				14135008	Steel – Grade 5	
12	Case/Bracket O-Ring -279 Buna	1	47027404					Buna-N
13	Bracket ^{2,3}	1	2159408K	2119907K	2374800K	2384800K	Ductile Iron, ASTM A395	
14	Bracket Plug 1/2" MNPT	1	31006117					Steel
15	Case/Bracket Bolts HHCS, 1/2-13 x 1.00 Lg	8	14178701					Steel – Grade 5
16	Impeller Spacer	1						300 Series Stainless Steel
17	Impeller Key	1	14412407		22056007		Stainless Steel	
18	Sleeve, Kit ⁶	1	8222400K		8243600K		Bismuth Tin Bronze (Lead Free)	
19	Sleeve O-Ring -022 Buna	2	47002209					Buna-N
	Sleeve O-Ring -126 Buna	2				47012604	Buna-N	
20	Deflector	1	22020408		22020507		Neoprene	
21	Mechanical Seal	1	See mechanical seal list for P/N					
22	Motor	1	Contact factory for P/N					

LG1820 REV. B

¹Case Kit includes item 2, 3, 4, 12, and 15

²Bracket Kit includes item 11, 14 and 20

³Part is available with epoxy coating of interior or interior + exterior. Specified part number is for uncoated part, contact factory for part numbers.

⁴Part is available with epoxy coating. Append 'PC' to the indicated part number when referring to the coated part

⁵Impeller Kit includes item 6, 7, 10, 16 and 17

⁶Sleeve Kit includes item 19

⁷Seal Adapter Kit includes item 9

850 Series Model: 850CC/3X1.5-10/4P	PEI_{CL} 0.93	Impeller Diameter: 9.920 in.
850 Series Model: 850CC/3X1.5-10T/2P	PEI_{CL} 0.93	Impeller Diameter: 9.920 in.

GRS-17101-T-01

PAGE 5 OF 5



Copyright 2019 PSG®, a Dover® Company.

PSG® reserves the right to modify the information and illustrations contained in this document without prior notice. This is a non-contractual document.