



## Model 3X2-8 – Close-Coupled Configuration

### PERFORMANCE

#### 850CC/3X2-8/2P

**Max. Flow Rate:** 348 gpm

**Max. Head:** 253 ft.

**Max. Working Temperature:** 120° F

**Max. Working Pressure:** 175 psi

**Max. Rated Speed:** 3600 RPM

**Max. Particle Size:** 0.28" Diameter

**Hydrotest Pressure:** 263 psi

#### 850CC/3X2-8/4P

**Max. Flow Rate:** 185 gpm

**Max. Head:** 65 ft.

**Max. Working Temperature:** 120° F

**Max. Working Pressure:** 175 psi

**Max. Rated Speed:** 1800 RPM

**Max. Particle Size:** 0.28" Diameter

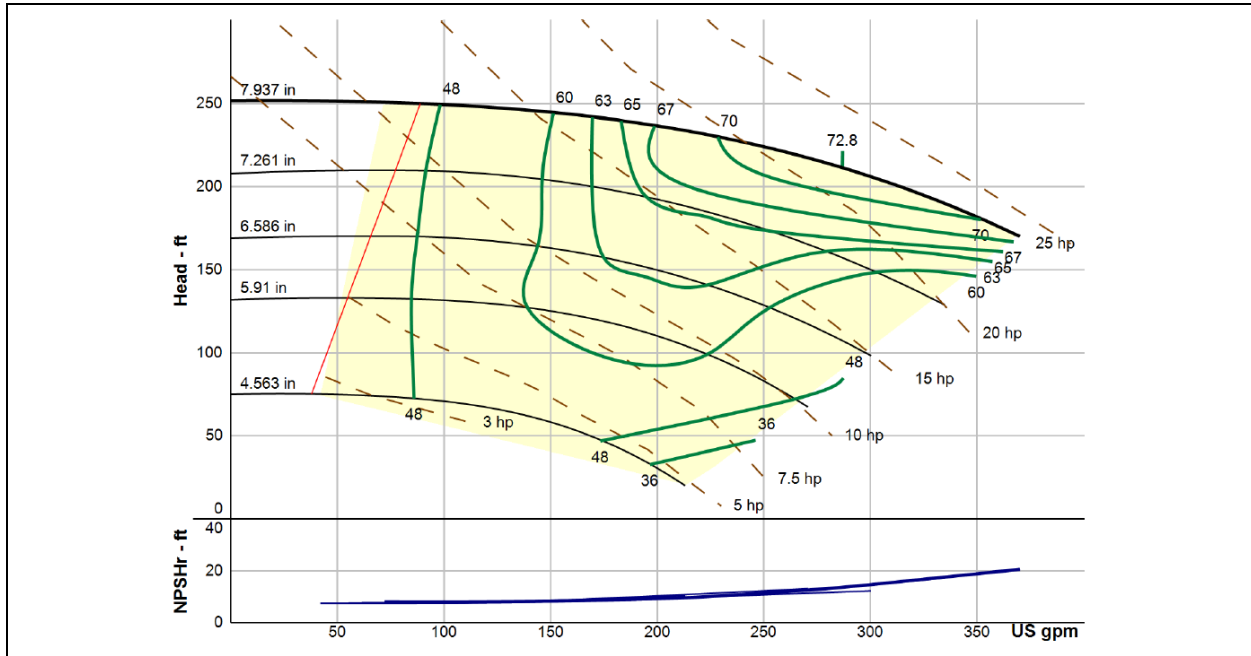
**Hydrotest Pressure:** 263 psi

<b>850 Series Model: 850CC/3X2-8/2P</b>	<b>PEI<sub>CL</sub> 0.92</b>	<b>Impeller Diameter: 7.937 in.</b>
<b>850 Series Model: 850CC/3X2-8/4P</b>	<b>PEI<sub>CL</sub> 0.90</b>	<b>Impeller Diameter: 7.937 in.</b>

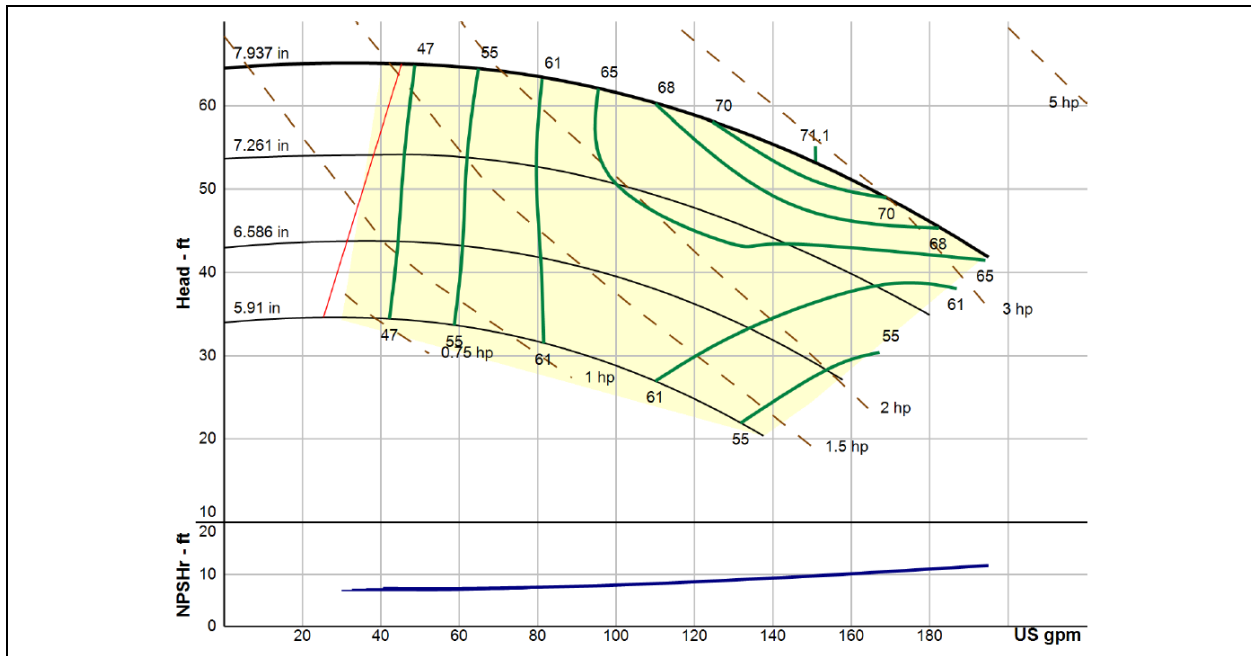
# 850 SERIES – Model 3X2-8



## PERFORMANCE CURVE – 850CC/3X2-8/2P, 3450 RPM



## PERFORMANCE CURVE – 850CC/3X2-8/4P, 1750 RPM

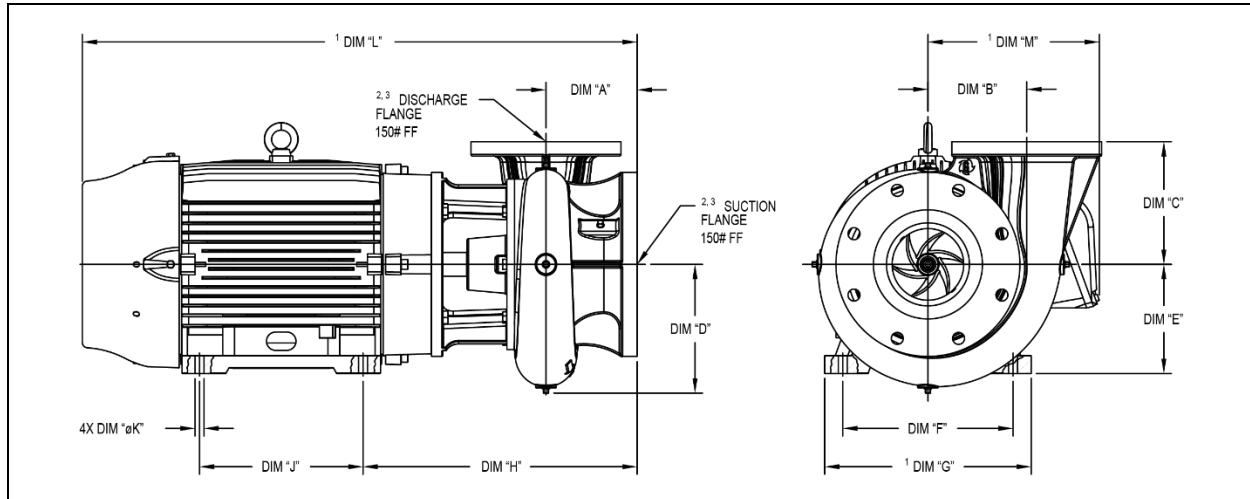


850 Series Model: 850CC/3X2-8/2P	PEI <sub>CL</sub> 0.92	Impeller Diameter: 7.937 in.
850 Series Model: 850CC/3X2-8/4P	PEI <sub>CL</sub> 0.90	Impeller Diameter: 7.937 in.

# 850 SERIES – Model 3X2-8



## DIMENSIONS (INCHES)



Motor Frame	Suction	Discharge	DIM "A"	DIM "B"	DIM "C"	DIM "D"	DIM "E"	DIM "F"	DIM "G"	DIM "H"	DIM "J"	DIM "ØK"	DIM "L"	DIM "M"
143JM	3.00	2.00	3.63	4.75	6.13	6.18	3.50	5.50	6.46	10.32	4.00	0.34	18.18	6.24
145JM	3.00	2.00	3.63	4.75	6.13	6.18	3.50	5.50	6.46	10.31	5.00	0.34	19.17	6.24
182JM	3.00	2.00	3.63	4.75	6.13	6.18	4.50	7.50	8.66	10.51	4.50	0.41	19.90	7.56
184JM	3.00	2.00	3.63	4.75	6.13	6.18	4.50	7.50	8.66	10.51	5.50	0.41	20.90	7.54
213JM	3.00	2.00	3.63	4.75	6.13	6.18	5.25	8.50	9.76	11.26	5.50	0.41	22.42	8.67
215JM	3.00	2.00	3.63	4.75	6.13	6.18	5.25	8.50	9.76	11.26	7.00	0.41	23.88	8.67
254JM	3.00	2.00	3.63	4.75	6.13	6.18	6.25	10.00	12.13	12.88	8.25	0.53	27.85	10.40
256JM	3.00	2.00	3.63	4.75	6.13	6.18	6.25	10.00	12.13	12.88	10.00	0.53	29.58	10.02

<sup>1</sup>Dimension may vary with motor model and manufacturer

<sup>2</sup>150# Flange is dimensionally identical to a 125# Flange

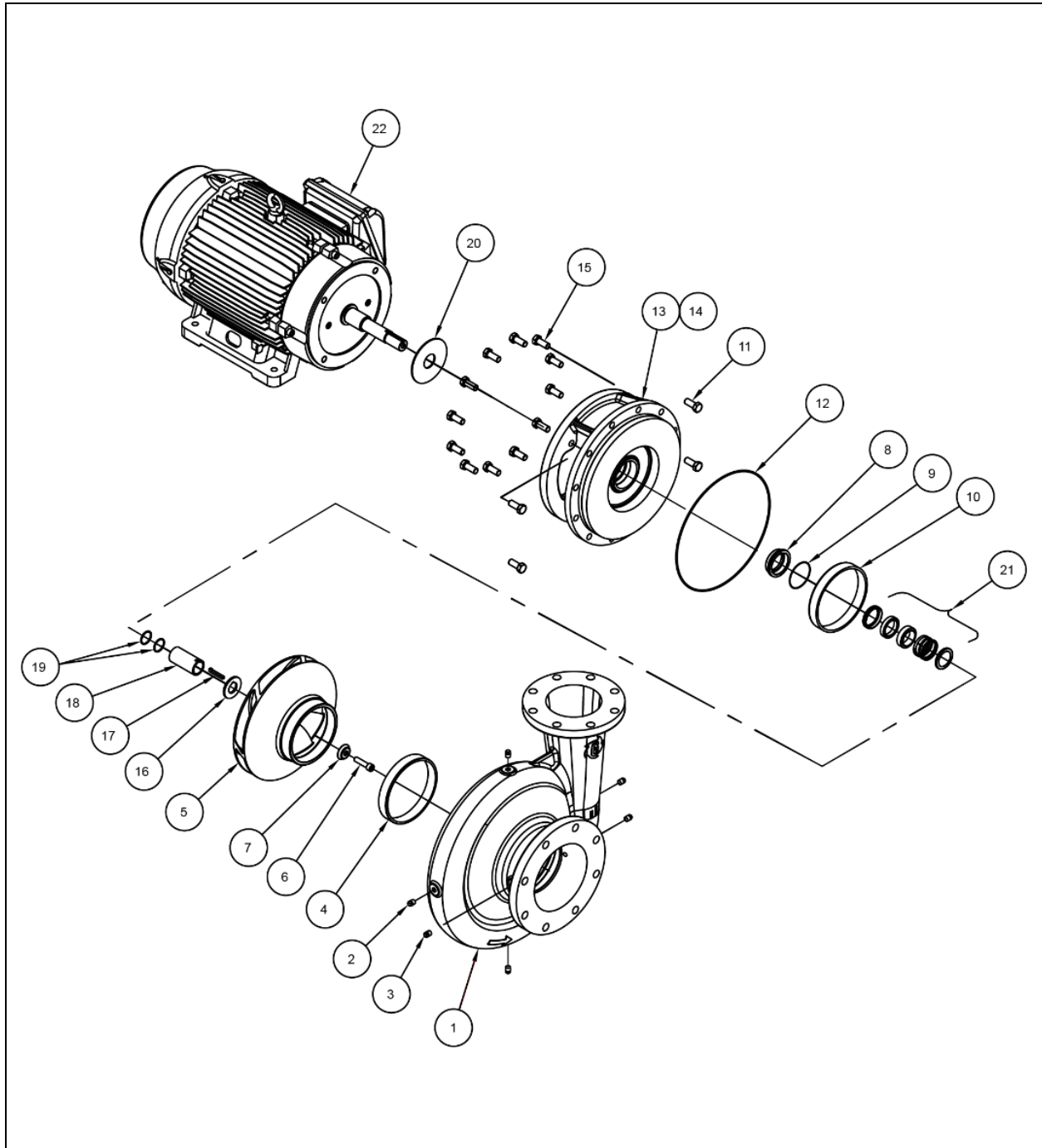
<sup>3</sup>Bolt holes straddle pump centerlines

<b>850 Series Model: 850CC/3X2-8/2P</b>	<b>PEI<sub>CL</sub> 0.92</b>	<b>Impeller Diameter: 7.937 in.</b>
<b>850 Series Model: 850CC/3X2-8/4P</b>	<b>PEI<sub>CL</sub> 0.90</b>	<b>Impeller Diameter: 7.937 in.</b>

# 850 SERIES – Model 3X2-8



## EXPLODED VIEW



LG1818 REV. A

<b>850 Series Model: 850CC/3X2-8/2P</b>	<b>PE<sub>ICL</sub> 0.92</b>	<b>Impeller Diameter: 7.937 in.</b>
<b>850 Series Model: 850CC/3X2-8/4P</b>	<b>PE<sub>ICL</sub> 0.90</b>	<b>Impeller Diameter: 7.937 in.</b>

# 850 SERIES – Model 3X2-8



## PARTS LISTING

Compatible Motor Frame Family			143JM, 145JM 182JM, 184JM (JM1)	213JM, 215JM (JM2)	254JM, 256JM (JM3)	Material of Construction
Item	Description	Qty.	P/N	P/N	P/N	
<b>Case Kit</b>						
1	Case Kit <sup>1,3</sup>	1	3078409K			Cast Iron, ASTM A48 Class 30
2	Case Plugs 1/4" MNPT	5	31005911			Steel
3	Case Plugs 1/2" MNPT					
4	Case Wear Ring	1	8015100			Bismuth Tin Bronze (Lead Free)
<b>Impeller Kit</b>						
5	Impeller, Only <sup>4</sup>	1	5100200	5100400		Aluminum Bronze, ASTM B148
	Impeller, Kit <sup>4,5</sup>	1	5100200K	5100400K		Aluminum Bronze, ASTM B148
<b>Back Pull Out Kit</b>						
6	Impeller Bolt SHCS, 3/8-16 x 1.25 Lg	1	S14C375A25SH8A1			Stainless Steel
	Impeller Bolt SHCS, 1/2-13 x 1.50 Lg	1			S14C500A50SH8A1	Stainless Steel
7	Impeller Washer	1	14412209	14412308		300 Series Stainless Steel
8	Seal Adapter Kit <sup>7</sup>					
9	Seal Adapter O-Ring					
10	Bracket Wear Ring					
11	Bracket/Motor Bolts HHCS, 3/8-16 x .88 Lg	4	14129324			Steel – Grade 5
	Bracket/Motor Bolts HHCS, 1/2-13 x 1.00 Lg	4	14178701			Steel – Grade 5
	Bracket/Motor Bolts HHCS, 1/2-13 x 1.75 Lg	4			14389803	Steel – Grade 5
12	Case/Bracket O-Ring -171 Buna	1	47017108			Buna-N
13	Bracket <sup>2,3</sup>	1	2159200K	2156909K	2137503K	Cast Iron, ASTM A48 Class 30
14	Bracket Plug 1/2" MNPT					
15	Case/Bracket Bolts HHCS, 3/8-16 x .75 Lg	8	S01C375750WA2A2			Steel – Grade 5
16	Impeller Spacer					
17	Impeller Key	1	14412407	14412506		Stainless Steel
18	Sleeve, Kit <sup>6</sup>	1	8222400K	8243400K		Bismuth Tin Bronze (Lead Free)
19	Sleeve O-Ring -022 Buna	2	47002209			Buna-N
	Sleeve O-Ring -126 Buna	2			47012604	Buna-N
20	Deflector	1	22020408	22020507		Neoprene
21	Mechanical Seal	1	See mechanical seal list for P/N			
22	Motor	1	Contact factory for P/N			

LG1821 REV. B

<sup>1</sup>Case Kit includes item 2, 3, 4, 12, and 15

<sup>2</sup>Bracket Kit includes item 11, 14 and 20

<sup>3</sup>Part is available with epoxy coating of interior or interior + exterior. Specified part number is for uncoated part, contact factory for part numbers.

<sup>4</sup>Part is available with epoxy coating. Append 'PC' to the indicated part number when referring to the coated part

<sup>5</sup>Impeller Kit includes item 6, 7, 10, 16 and 17

<sup>6</sup>Sleeve Kit includes item 19

<sup>7</sup>Seal Adapter Kit includes item 9

<b>850 Series Model: 850CC/3X2-8/2P</b>	<b>PEI<sub>CL</sub> 0.92</b>	<b>Impeller Diameter: 7.937 in.</b>
<b>850 Series Model: 850CC/3X2-8/4P</b>	<b>PEI<sub>CL</sub> 0.90</b>	<b>Impeller Diameter: 7.937 in.</b>

GRS-17102-T-01

PAGE 5 OF 5



Copyright 2019 PSG®, a Dover® Company.

PSG® reserves the right to modify the information and illustrations contained in this document without prior notice. This is a non-contractual document.