

# 850 SERIES – Model 3X2-8M



## Model 3X2-8M – Close-Coupled Configuration

### PERFORMANCE

850CC/3X2-8M/2P

Max. Flow Rate: 230 gpm

Max. Head: 219 ft.

Max. Working Temperature: 120° F

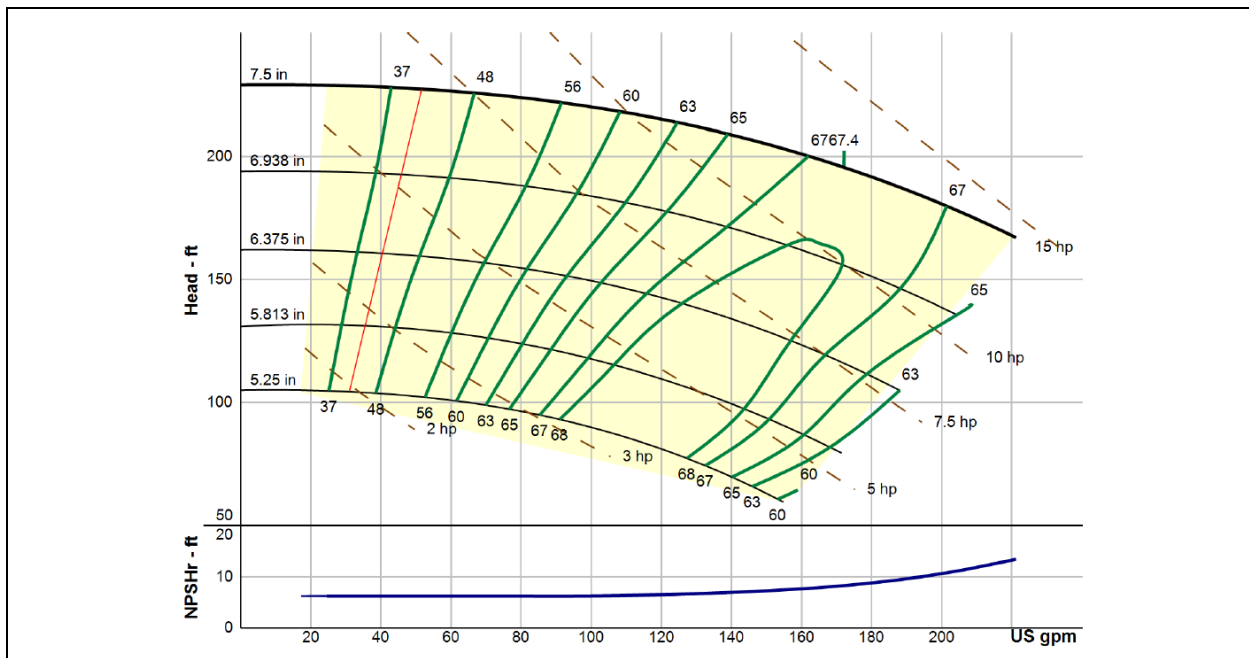
Max. Working Pressure: 175 psi

Max. Rated Speed: 3600 RPM

Max. Particle Size: 0.4" Diameter

Hydrotest Pressure: 263 psi

### PERFORMANCE CURVE – 850CC/3X2-8M/2P, 3600 RPM



850 Series Model: 850CC/3X2-8M/2P

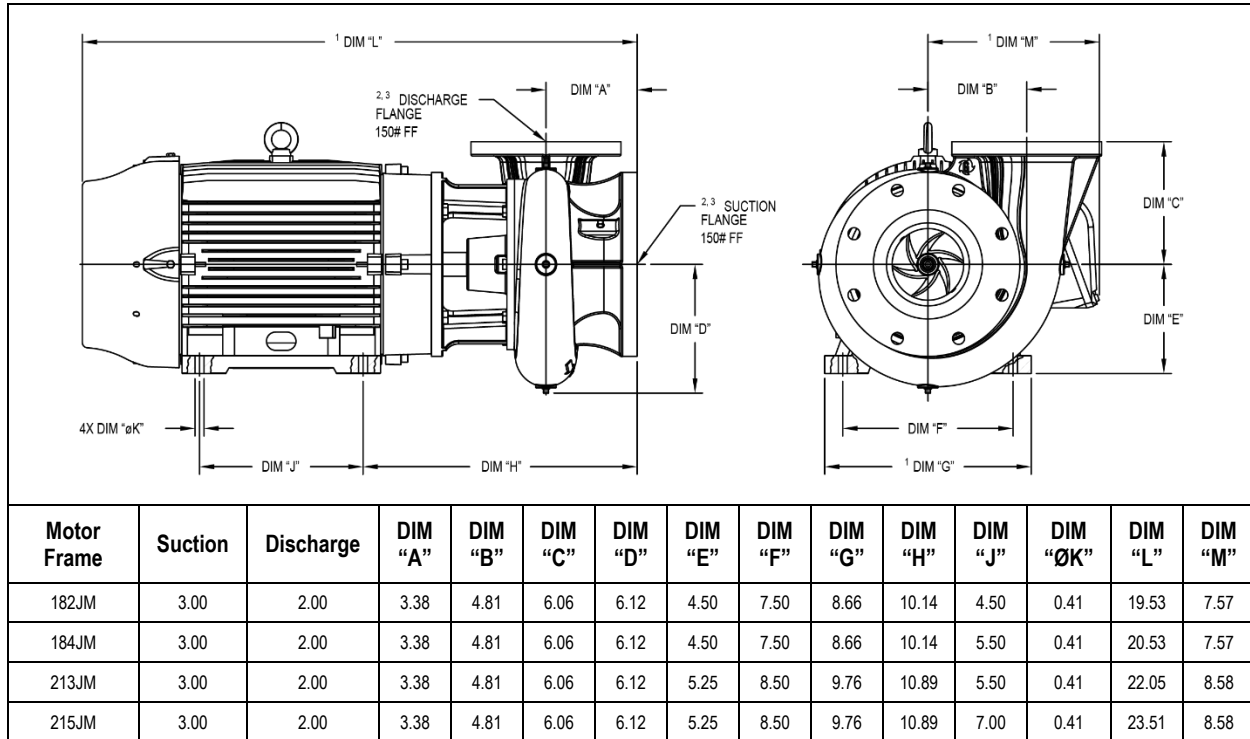
PEI<sub>CL</sub> 0.93

Impeller Diameter: 7.500 in.

# 850 SERIES – Model 3X2-8M



## DIMENSIONS (INCHES)



<sup>1</sup>Dimension may vary with motor model and manufacturer

<sup>2</sup>150# Flange is dimensionally identical to a 125# Flange

<sup>3</sup>Bolt holes straddle pump centerlines

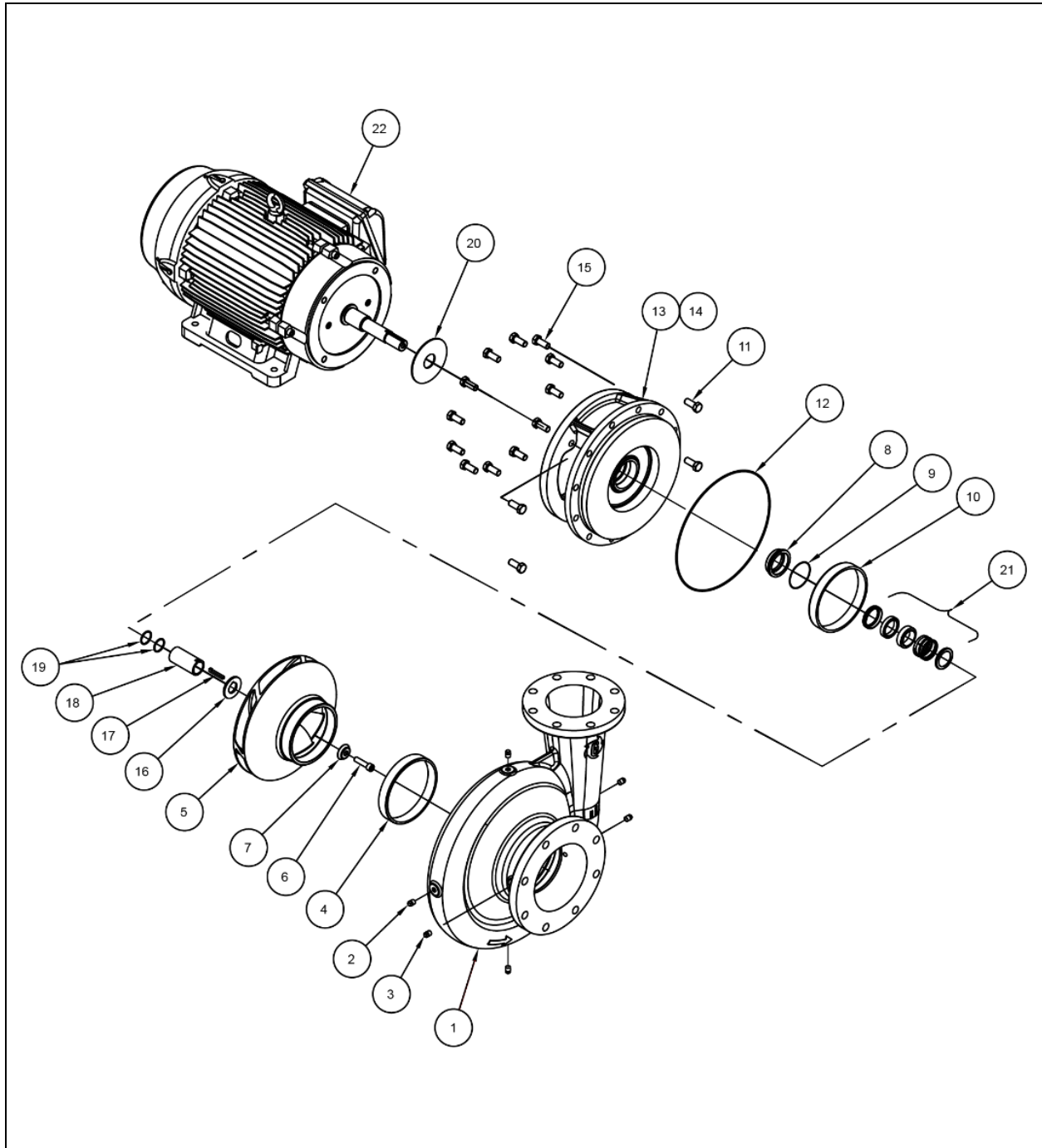
LG1833 REV. A

<b>850 Series Model: 850CC/3X2-8M/2P</b>	<b>PEI<sub>CL</sub> 0.93</b>	<b>Impeller Diameter: 7.500 in.</b>
--	------------------------------	-------------------------------------

# 850 SERIES – Model 3X2-8M



## EXPLODED VIEW



LG1818 REV. A

850 Series Model: 850CC/3X2-8M/2P	PEI <sub>CL</sub> 0.93	Impeller Diameter: 7.500 in.
-----------------------------------	------------------------	------------------------------

# 850 SERIES – Model 3X2-8M



## PARTS LISTING

Compatible Motor Frame Family			143JM, 145JM, 182JM, 184JM (JM1)	213JM, 215JM (JM2)	Material of Construction
Item	Description	Qty.	P/N	P/N	
<b>Case Kit</b>					
1	Case Kit <sup>1,3</sup>	1	3079100K		Cast Iron, ASTM A48 Class 30
2	Case Plugs 1/4" MNPT	5	31005911		Steel
3	Case Plugs 1/2" MNPT				
4	Case Wear Ring	1	8015100		Bismuth Tin Bronze (Lead Free)
<b>Impeller Kit</b>					
5	Impeller, Only <sup>4</sup>	1	5150200		Aluminum Bronze, ASTM B148
	Impeller, Kit <sup>4,5</sup>	1	5150200K		Aluminum Bronze, ASTM B148
<b>Back Pull Out Kit</b>					
6	Impeller Bolt SHCS, 3/8-16 x 1.25 Lg	1	S14C375A25SH8A1		Stainless Steel
7	Impeller Washer	1	14412209		300 Series Stainless Steel
8	Seal Adapter Kit <sup>7</sup>				
9	Seal Adapter O-Ring -023 Buna				
10	Bracket Wear Ring				
11	Bracket/Motor Bolts HHCS, 3/8-16 x .88 Lg	4	14129324		Steel – Grade 5
	Bracket/Motor Bolts HHCS, 1/2-13 x 1.00 Lg	4		14178701	Steel – Grade 5
12	Case/Bracket O-Ring -171 Buna	1	47017108		Buna-N
13	Bracket <sup>2,3</sup>	1	2159200K	2156909K	Cast Iron, ASTM A48 Class 30
14	Bracket Plug 1/2" MNPT				
15	Case/Bracket Bolts HHCS, 3/8-16 x .75 Lg	8	S01C375750WA2A2		Steel – Grade 5
16	Impeller Spacer				
17	Impeller Key	1	14412407		Stainless Steel
18	Sleeve, Kit <sup>6</sup>	1	8222400K		Bismuth Tin Bronze (Lead Free)
19	Sleeve O-Ring -022 Buna	2	47002209		Buna-N
20	Deflector	1	22020408		Neoprene
21	Mechanical Seal	1	See mechanical seal list for P/N		
22	Motor	1	Contact factory for P/N		

LG1822 REV. B

<sup>1</sup>Case Kit includes item 2, 3, 4, 12, and 15

<sup>2</sup>Bracket Kit includes item 11, 14 and 20

<sup>3</sup>Part is available with epoxy coating of interior or interior + exterior. Specified part number is for uncoated part, contact factory for part numbers.

<sup>4</sup>Part is available with epoxy coating. Append 'PC' to the indicated part number when referring to the coated part

<sup>5</sup>Impeller Kit includes item 6, 7, 10, 16 and 17

<sup>6</sup>Sleeve Kit includes item 19

<sup>7</sup>Seal Adapter Kit includes item 9

**850 Series Model: 850CC/3X2-8M/2P**

**PEI<sub>CL</sub> 0.93**

**Impeller Diameter: 7.500 in.**

GRS-17103-T-01

PAGE 4 OF 4



Copyright 2019 PSG®, a Dover® Company.

PSG® reserves the right to modify the information and illustrations contained in this document without prior notice. This is a non-contractual document.