



## Model 4X3-10 & 4X3-10T – Close-Coupled Configuration

### PERFORMANCE

#### 850CC/4X3-10/4P

**Max. Flow Rate:** 367 gpm

**Max. Head:** 89 ft.

**Max. Working Temperature:** 120° F

**Max. Working Pressure:** 100 psi

**Max. Rated Speed:** 1800 RPM

**Max. Particle Size:** 0.58" Diameter

**Hydrotest Pressure:** 150 psi

#### 850CC/4X3-10T/2P

**Max. Flow Rate:** 670 gpm

**Max. Head:** 305 ft.

**Max. Working Temperature:** 120° F

**Max. Working Pressure:** 175 psi

**Max. Rated Speed:** 3600 RPM

**Max. Particle Size:** 0.6" Diameter

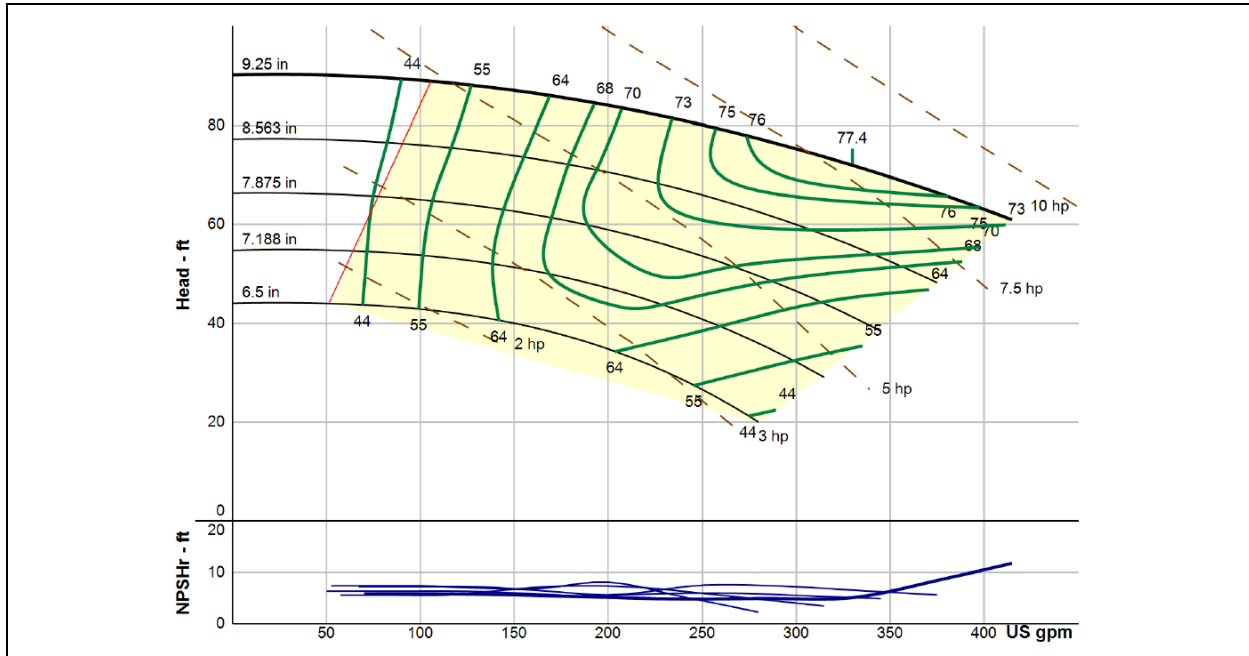
**Hydrotest Pressure:** 263 psi

<b>850 Series Model: 850CC/4X3-10/4P</b>	<b>PEI<sub>CL</sub> 0.94</b>	<b>Impeller Diameter: 9.250 in.</b>
<b>850 Series Model: 850CC/4X3-10T/2P</b>	<b>PEI<sub>CL</sub> 0.97</b>	<b>Impeller Diameter: 8.700 in.</b>

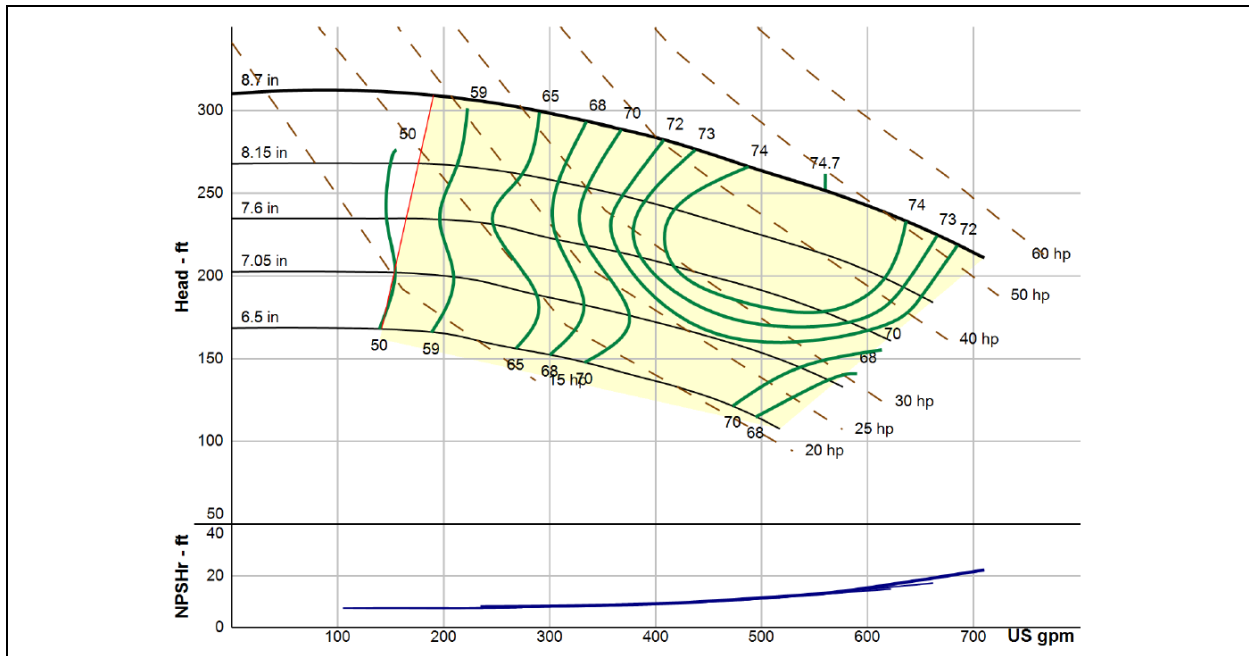
# 850 SERIES – Model 4X3-10 & 4X3-10T



## PERFORMANCE CURVE – 850CC/4X3-10/4P, 1750 RPM



## PERFORMANCE CURVE – 850CC/4X3-10T/2P, 3450 RPM

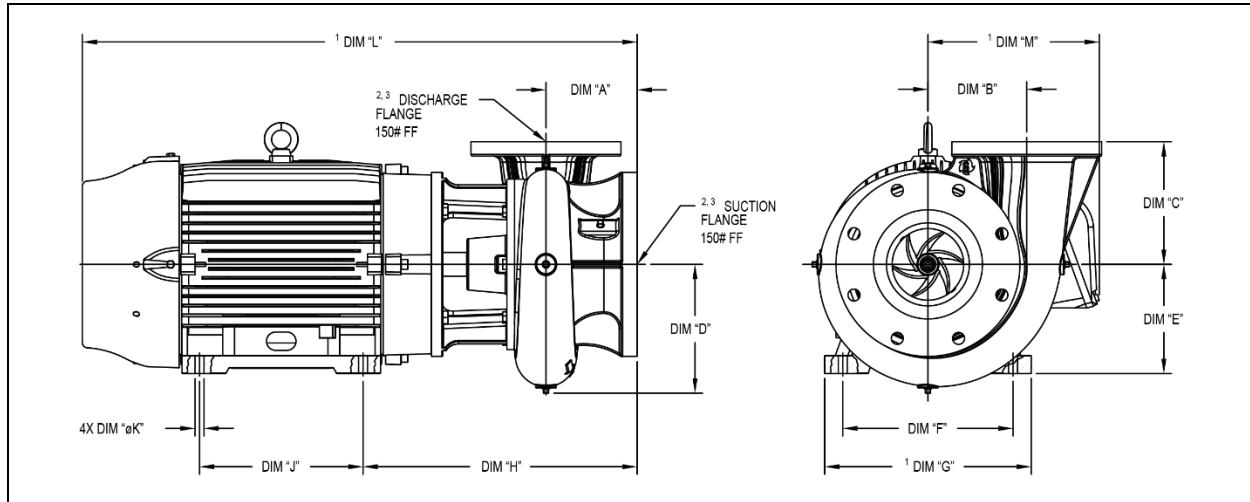


850 Series Model: 850CC/4X3-10/4P	PEI <sub>CL</sub> 0.94	Impeller Diameter: 9.250 in.
850 Series Model: 850CC/4X3-10T/2P	PEI <sub>CL</sub> 0.97	Impeller Diameter: 8.700 in.

# 850 SERIES – Model 4X3-10 & 4X3-10T



## DIMENSIONS (INCHES)



Motor Frame	Suction	Discharge	DIM "A"	DIM "B"	DIM "C"	DIM "D"	DIM "E"	DIM "F"	DIM "G"	DIM "H"	DIM "J"	DIM "ØK"	DIM "L"	DIM "M"
145JM	4.00	3.00	3.63	5.81	8.50	7.59	3.50	5.50	6.46	10.66	5.00	0.34	19.52	6.26
182JM	4.00	3.00	3.63	5.81	8.50	7.59	4.50	7.50	8.66	10.86	4.50	0.41	21.25	7.57
184JM	4.00	3.00	3.63	5.81	8.50	7.59	4.50	7.50	8.66	10.86	5.50	0.41	21.25	7.57
213JM	4.00	3.00	3.63	5.81	8.50	7.59	5.25	8.50	9.76	11.61	5.50	0.41	22.77	8.58
215JM	4.00	3.00	3.63	5.81	8.50	7.59	5.25	8.50	9.76	11.61	7.00	0.41	24.23	8.58
254JP	4.00	3.00	3.63	5.81	8.50	7.59	6.25	10.00	12.13	15.39	8.25	0.53	30.36	10.48
256JP	4.00	3.00	3.63	5.81	8.50	7.59	6.25	10.00	12.13	15.39	10.00	0.53	30.36	10.48
284JP	4.00	3.00	3.63	5.81	8.50	7.59	7.00	11.00	13.78	15.86	9.50	0.53	32.90	11.07
286JP	4.00	3.00	3.63	5.81	8.50	7.59	7.00	11.00	13.78	15.86	11.00	0.53	34.40	11.07
324JP	4.00	3.00	3.63	5.81	8.50	7.59	8.00	12.50	15.16	16.35	12.00	0.66	35.45	12.58
326JP	4.00	3.00	3.63	5.81	8.50	7.59	8.00	12.50	15.16	16.35	12.00	0.66	36.94	12.58

<sup>1</sup>Dimension may vary with motor model and manufacturer

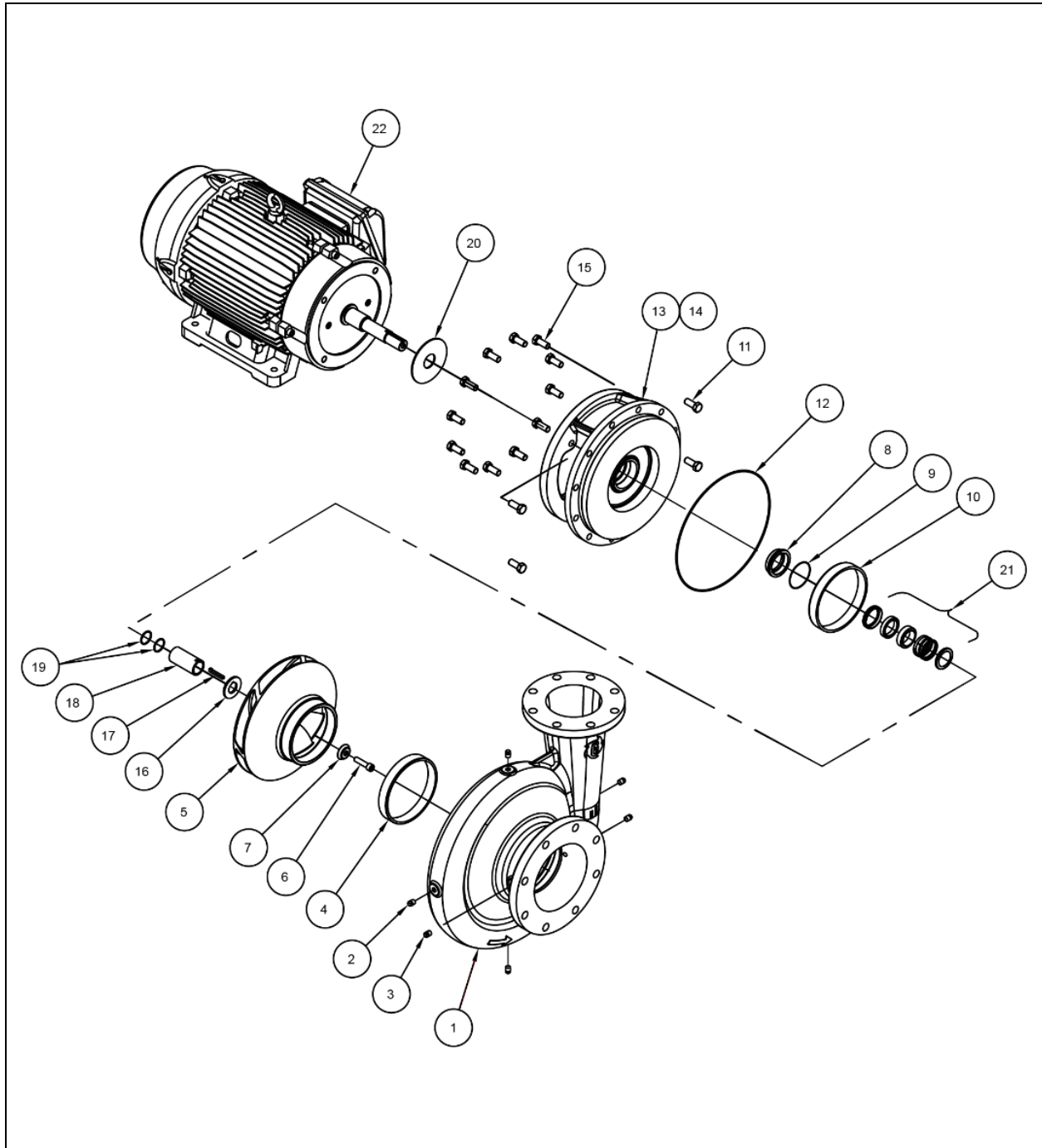
<sup>2</sup>150# Flange is dimensionally identical to a 125# Flange

<sup>3</sup>Bolt holes straddle pump centerlines

LG1835 REV. A

<b>850 Series Model: 850CC/4X3-10/4P</b>	<b>PEI<sub>CL</sub> 0.94</b>	<b>Impeller Diameter: 9.250 in.</b>
<b>850 Series Model: 850CC/4X3-10T/2P</b>	<b>PEI<sub>CL</sub> 0.97</b>	<b>Impeller Diameter: 8.700 in.</b>

EXPLODED VIEW



LG1818 REV. A

850 Series Model: 850CC/4X3-10/4P	PEI <sub>CL</sub> 0.94	Impeller Diameter: 9.250 in.
850 Series Model: 850CC/4X3-10T/2P	PEI <sub>CL</sub> 0.97	Impeller Diameter: 8.700 in.

# 850 SERIES – Model 4X3-10 & 4X3-10T



## PARTS LISTING

Compatible Motor Frame Family			4x3-10		4x3-10T		Material of Construction
Item	Description	Qty.	143JM, 145JM 182JM, 184JM (JM1) P/N	213JM, 215JM (JM2) P/N	213JP, 215JP 254JP, 256JP (JP2) P/N	284JP, 286JP 324JP, 326JP (JP3) P/N	
<b>Case Kit</b>							
1	Case Kit <sup>1,3</sup>	1	3078508K				Cast Iron, ASTM A48 Class 30
2	Case Plugs 1/4" MNPT	3	31005911				Steel
3	Case Plugs 1/2" MNPT	3	31006117				Steel
4	Case Wear Ring	1	8025100				Bismuth Tin Bronze (Lead Free)
<b>Impeller Kit</b>							
5	Impeller, Only <sup>4</sup>	1	5250200		5255400		Aluminum Bronze, ASTM B148
	Impeller, Kit <sup>4,5</sup>	1	5250200K		5255400K		Aluminum Bronze, ASTM B148
<b>Back Pull Out Kit</b>							
6	Impeller Bolt SHCS, 3/8-16 x 2.00 Lg	1	S14C375B00SH8A1				Stainless Steel
	Impeller Bolt SHCS, 1/2-13 x 1.25 Lg	1		S14C500A25SH8A1			Stainless Steel
7	Impeller Washer	1	14412209		14412308		300 Series Stainless Steel
8	Seal Adapter Kit <sup>7</sup>						
9	Seal Adapter O-Ring						
10	Bracket Wear Ring	1	8025100				Bismuth Tin Bronze (Lead Free)
11	Bracket/Motor Bolts HHCS, 3/8-16 x .88 Lg	4	14129324				Steel – Grade 5
	Bracket/Motor Bolts HHCS, 1/2-13 x 1.00 Lg	4			14178701		Steel – Grade 5
	Bracket/Motor Bolts HHCS, 1/2-13 x 1.25 Lg	4			14133003		Steel – Grade 5
	Bracket/Motor Bolts HHCS, 5/8-11 x 1.50 Lg	4			14135008		Steel – Grade 5
12	Case/Bracket O-Ring -273 Buna	1	47027404				Buna-N
13	Bracket <sup>2,3</sup>	1	2159408K	2119907K	2374800K	2384800K	Cast Iron, ASTM A48 Class 30
14	Bracket Plug 1/2" MNPT	1	31006117				Steel
15	Case/Bracket Bolts HHCS, 1/2-13 x 1.00 Lg	8	14178701				Steel – Grade 5
16	Impeller Spacer	1			14034607		300 Series Stainless Steel
17	Impeller Key	1	14412407		22056007		Stainless Steel
18	Sleeve, Kit <sup>6</sup>	1	8222400K		8243600K		Bismuth Tin Bronze (Lead Free)
19	Sleeve O-Ring -022 Buna	2	47002209				Buna-N
	Sleeve O-Ring -126 Buna	2			47012604		Buna-N
20	Deflector	1	22020408		22020507		Neoprene
21	Mechanical Seal	1	See mechanical seal list for P/N				
22	Motor	1	Contact factory for P/N				

LG1824 REV. B

<sup>1</sup>Case Kit includes item 2, 3, 4, 12, and 15

<sup>2</sup>Bracket Kit includes item 11, 14 and 20

<sup>3</sup>Part is available with epoxy coating of interior or interior + exterior. Specified part number is for uncoated part, contact factory for part numbers.

<sup>4</sup>Part is available with epoxy coating. Append 'PC' to the indicated part number when referring to the coated part

<sup>5</sup>Impeller Kit includes item 6, 7, 10, 16 and 17

<sup>6</sup>Sleeve Kit includes item 19

<sup>7</sup>Seal Adapter Kit includes item 9

<b>850 Series Model: 850CC/4X3-10/4P</b>	<b>PEI<sub>CL</sub> 0.94</b>	<b>Impeller Diameter: 9.250 in.</b>
<b>850 Series Model: 850CC/4X3-10T/2P</b>	<b>PEI<sub>CL</sub> 0.97</b>	<b>Impeller Diameter: 8.700 in.</b>

