

# 850 SERIES – Model 4X3-12



## Model 4X3-12 – Close-Coupled Configuration

### PERFORMANCE

**850CC/4X3-12/4P**

**Max. Flow Rate:** 239 gpm

**Max. Head:** 147 ft.

**Max. Working Temperature:** 250° F

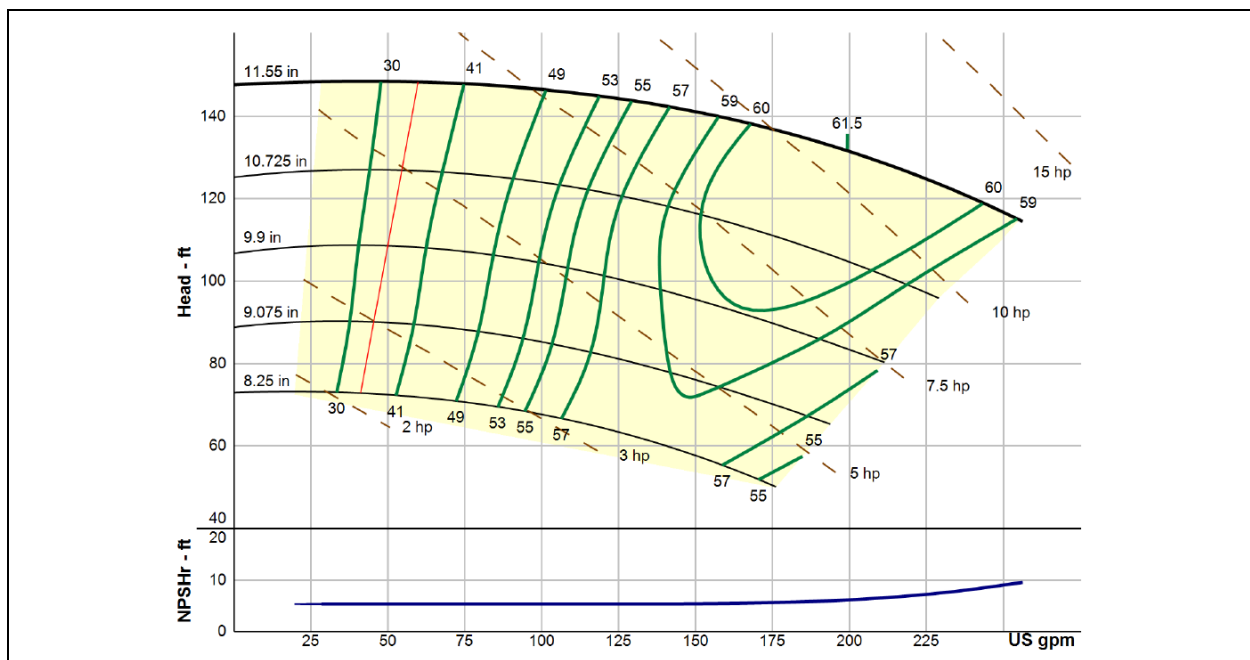
**Max. Working Pressure:** 175 psi

**Max. Rated Speed:** 1800 RPM

**Max. Particle Size:** 0.28" Diameter

**Hydrotest Pressure:** 263 psi

### PERFORMANCE CURVE – 850CC/4X3-12/4P, 1750 RPM

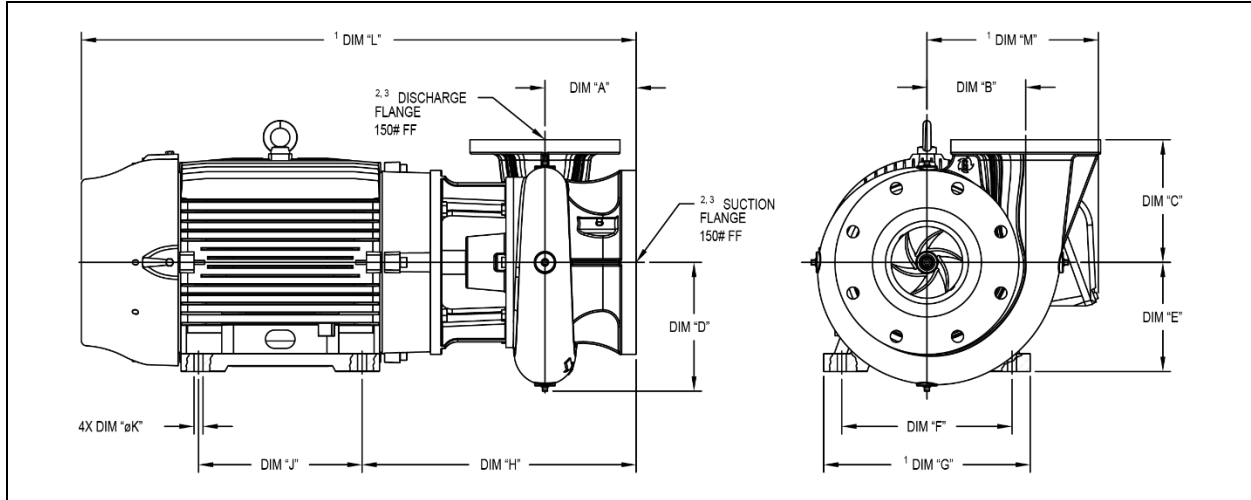


<b>850 Series Model: 850CC/4X3-12/4P</b>	<b>PEI<sub>CL</sub> 0.94</b>	<b>Impeller Diameter: 11.550 in.</b>
--	------------------------------	--------------------------------------

# 850 SERIES – Model 4X3-12



## DIMENSIONS (INCHES)



Motor Frame	Suction	Discharge	DIM "A"	DIM "B"	DIM "C"	DIM "D"	DIM "E"	DIM "F"	DIM "G"	DIM "H"	DIM "J"	DIM "ØK"	DIM "L"	DIM "M"
182JM	4.00	3.00	3.56	6.75	8.88	7.93	4.50	7.50	8.66	10.61	4.50	0.41	20.00	7.57
184JM	4.00	3.00	3.56	6.75	8.88	7.93	4.50	7.50	8.66	10.61	5.50	0.41	21.00	7.57
213JM	4.00	3.00	3.56	6.75	8.88	7.93	5.25	8.50	9.76	11.36	5.50	0.41	22.52	8.58
215JM	4.00	3.00	3.56	6.75	8.88	7.93	5.25	8.50	9.76	11.36	7.00	0.41	23.98	8.58
254JM	4.00	3.00	3.56	6.75	8.88	7.93	6.25	10.00	11.42	12.10	8.25	0.53	27.07	10.41
256JM	4.00	3.00	3.56	6.75	8.88	7.93	6.25	10.00	12.13	12.10	10.00	0.53	28.80	10.20

<sup>1</sup>Dimension may vary with motor model and manufacturer  
<sup>2</sup>150# Flange is dimensionally identical to a 125# Flange  
<sup>3</sup>Bolt holes straddle pump centerlines

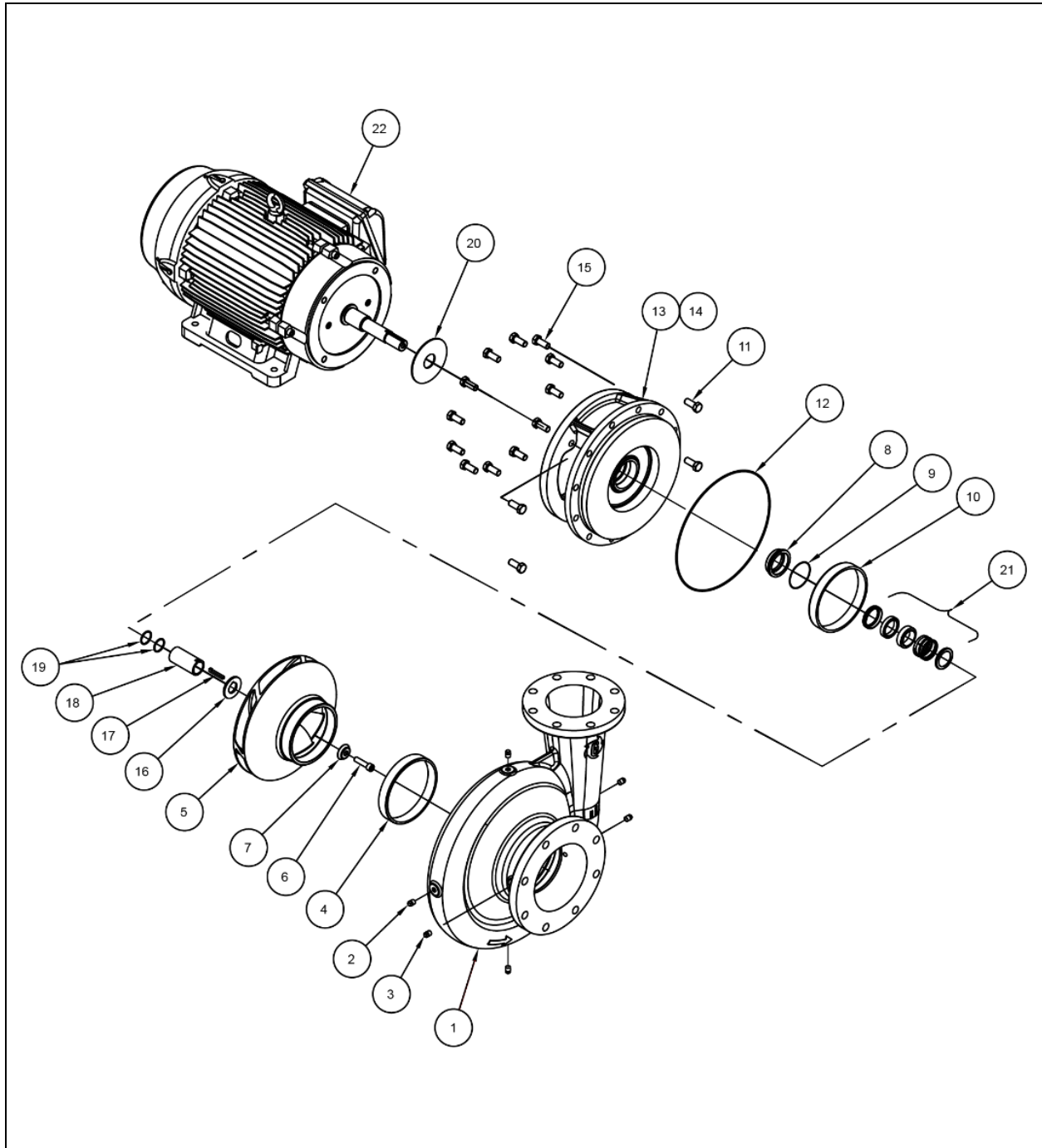
LG1834 REV. B

<b>850 Series Model: 850CC/4X3-12/4P</b>	<b>PEI<sub>CL</sub> 0.94</b>	<b>Impeller Diameter: 11.550 in.</b>
--	------------------------------	--------------------------------------

# 850 SERIES – Model 4X3-12



## EXPLODED VIEW



LG1818 REV. A

850 Series Model: 850CC/4X3-12/4P	PEI <sub>CL</sub> 0.94	Impeller Diameter: 11.550 in.
-----------------------------------	------------------------	-------------------------------

# 850 SERIES – Model 4X3-12



## PARTS LISTING

Compatible Motor Frame Family			4x3-12			Material of Construction
			143JM, 145JM, 182JM, 184JM (JM1)	213JM, 215JM (JM2)	254JM, 256JM (JM3)	
Item	Description	Qty.	P/N	P/N	P/N	
<b>Case Kit</b>						
1	Case Kit <sup>1,3</sup>	1	3200000K			Ductile Iron, ASTM A395
2	Case Plugs 1/4" MNPT	4	31005911			Steel
3	Case Plugs 1/2" MNPT					
4	Case Wear Ring	1	8020100			Bismuth Tin Bronze (Lead Free)
<b>Impeller Kit</b>						
5	Impeller, Only <sup>4</sup>	1	5200200		5200400	Aluminum Bronze, ASTM B148
	Impeller, Kit <sup>4,5</sup>	1	5200200K		5200400K	Aluminum Bronze, ASTM B148
<b>Back Pull Out Kit</b>						
6	Impeller Bolt SHCS, 3/8-16 x 1.75 Lg	1	S14C375A75SH8A1			Stainless Steel
	Impeller Bolt SHCS, 1/2-13 X 1.25 Lg	1		S14C500A25SH8A1		Stainless Steel
7	Impeller Washer	1	14412209		14412310	300 Series Stainless Steel
8	Seal Adapter Kit <sup>7</sup>	1	7102001K			300 Series Stainless Steel
9	Seal Adapter O-Ring -036 Buna	1	036B			Buna-N
10	Bracket Wear Ring					
11	Bracket/Motor Bolts HHCS, 3/8-16 x 1.00 Lg	4	14129423			Steel – Grade 5
	Bracket/Motor Bolts HHCS, 1/2-13 x 1.25 Lg	4		14133003		Steel – Grade 5
12	Case/Bracket O-Ring -278 Buna	1	47027800			Buna-N
13	Bracket <sup>2,3</sup>	1	2525800K			Ductile Iron, ASTM A395
14	Bracket Plug 1/2" MNPT					
15	Case/Bracket Bolts HHCS, 1/2-13 x 1.25 Lg	12	14133003			Steel – Grade 5
16	Impeller Spacer					
17	Impeller Key	1	14412407		14412506	Stainless Steel
18	Sleeve, Kit <sup>6</sup>	1	8222400K		8242700K	Bismuth Tin Bronze (Lead Free)
19	Sleeve O-Ring -022 Buna	2	47002209		47012604	Buna-N
20	Deflector	1	22020408		22020508	Neoprene
21	Mechanical Seal	1	See mechanical seal list for P/N			
22	Motor	1	Contact factory for P/N			

LG1823 Rev. C

<sup>1</sup> Case Kit includes item 2, 3, 4, 12 and 15.

<sup>2</sup> Bracket Kit includes item 11, 14 and 20.

<sup>3</sup> Part is available with epoxy coating of interior or interior+exterior. Specified part number is for uncoated part, contact factory for coated part numbers.

<sup>4</sup> Part is available with epoxy coating. Append 'PC' to the indicated part number when referring to the coated part.

<sup>5</sup> Impeller Kit includes item 6, 7, 10, 16 and 17.

<sup>6</sup> Sleeve Kit includes item 19.

<sup>7</sup> Seal adapter kit includes item 9

<b>850 Series Model: 850CC/4X3-12/4P</b>	<b>PEI<sub>CL</sub> 0.94</b>	<b>Impeller Diameter: 11.550 in.</b>
--	------------------------------	--------------------------------------

GRS-17105-T-01

PAGE 4 OF 4



Copyright 2019 PSG®, a Dover® Company.

PSG® reserves the right to modify the information and illustrations contained in this document without prior notice. This is a non-contractual document.