



Model 5X4-10 & 5X4-10T – Close-Coupled Configuration

PERFORMANCE

850CC/5X4-10/4P

Max. Flow Rate: 605 gpm

Max. Head: 83 ft.

Max. Working Temperature: 120° F

Max. Working Pressure: 100 psi

Max. Rated Speed: 1800 RPM

Max. Particle Size: 0.7" Diameter

Hydrotest Pressure: 150 psi

850CC/5X4-10T/2P

Max. Flow Rate: 1,135 gpm

Max. Head: 287 ft.

Max. Working Temperature: 120° F

Max. Working Pressure: 175 psi

Max. Rated Speed: 3600 RPM

Max. Particle Size: 0.7" Diameter

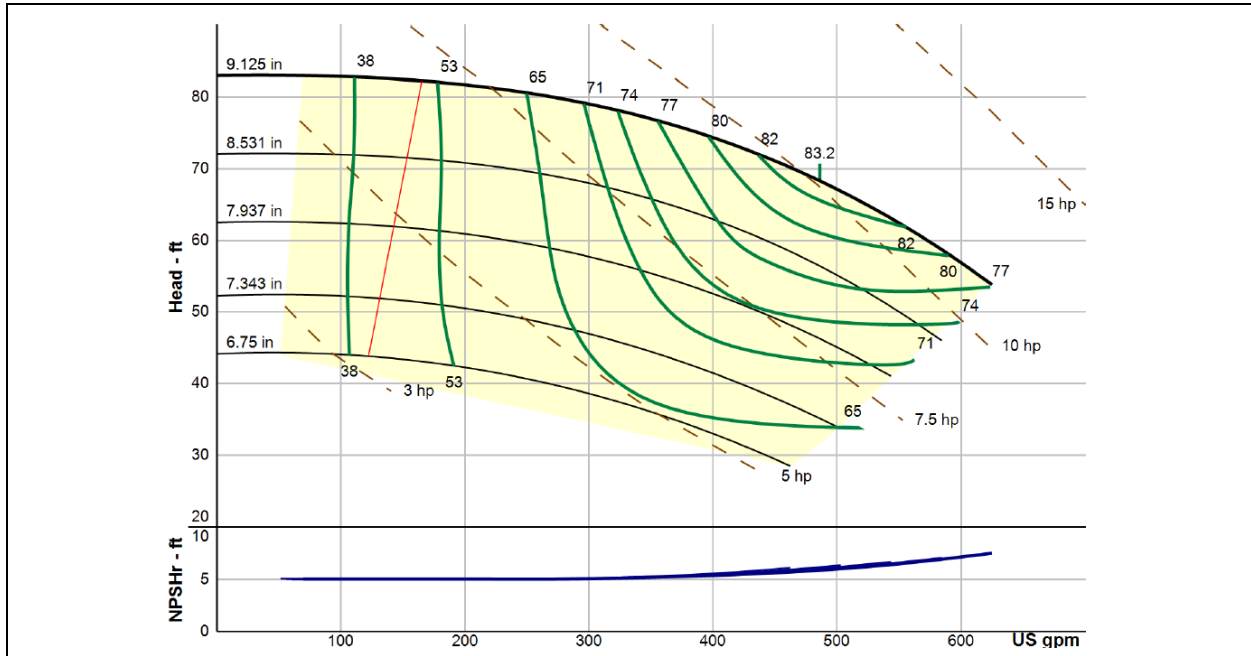
Hydrotest Pressure: 263 psi

850 Series Model: 850CC/5X4-10/4P	PEI_{CL} 0.95	Impeller Diameter: 9.125 in.
850 Series Model: 850CC/5X4-10T/2P	PEI_{CL} 0.96	Impeller Diameter: 8.625 in.

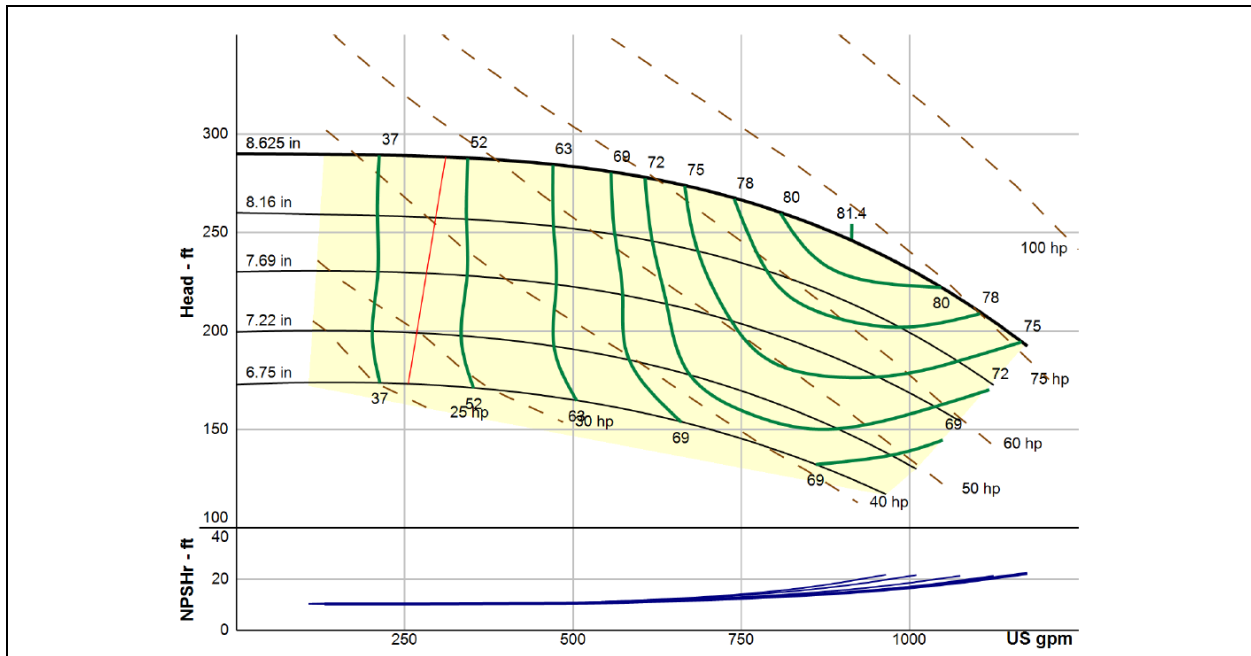
850 SERIES – Model 5X4-10 & 5X4-10T



PERFORMANCE CURVE – 850CC/5X4-10/4P, 1750 RPM



PERFORMANCE CURVE – 850CC/5X4-10T/2P, 3500 RPM

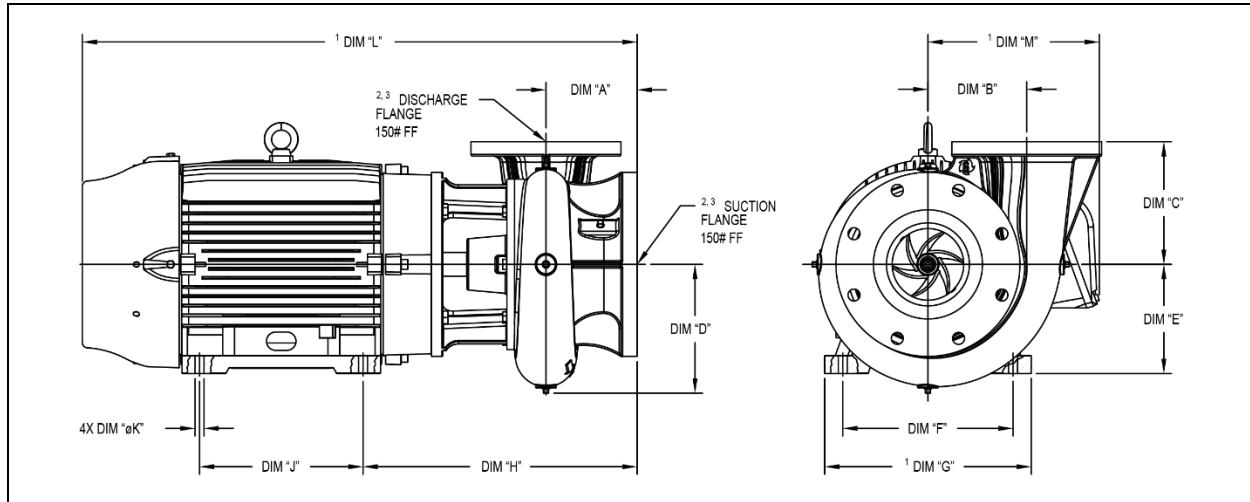


850 Series Model: 850CC/5X4-10/4P	PEI _{CL} 0.95	Impeller Diameter: 9.125 in.
850 Series Model: 850CC/5X4-10T/2P	PEI _{CL} 0.96	Impeller Diameter: 8.625 in.

850 SERIES – Model 5X4-10 & 5X4-10T



DIMENSIONS (INCHES)



Motor Frame	Suction	Discharge	DIM "A"	DIM "B"	DIM "C"	DIM "D"	DIM "E"	DIM "F"	DIM "G"	DIM "H"	DIM "J"	DIM "øK"	DIM "L"	DIM "M"
182JM	5.00	4.00	4.13	6.45	7.75	8.36	4.50	7.50	8.66	11.70	4.50	0.41	21.09	7.57
184JM	5.00	4.00	4.13	6.45	7.75	8.36	4.50	7.50	8.66	11.70	5.50	0.41	22.09	7.57
213JM	5.00	4.00	4.13	6.45	7.75	8.36	5.25	8.50	9.76	12.45	5.50	0.41	23.61	8.58
215JM	5.00	4.00	4.13	6.45	7.75	8.36	5.25	8.50	9.76	12.45	7.00	0.41	25.07	8.58
213JP	5.00	4.00	4.13	6.45	7.75	8.36	5.25	8.50	9.76	12.45	7.00	0.41	23.61	8.58
215JP	5.00	4.00	4.13	6.45	7.75	8.36	5.25	8.50	9.76	12.45	7.00	0.41	25.07	8.58
254JM	5.00	4.00	4.13	6.45	7.75	8.36	6.25	10.00	12.13	13.20	8.25	0.53	28.17	10.48
256JM	5.00	4.00	4.13	6.45	7.75	8.36	6.25	10.00	12.13	13.20	10.00	0.53	29.89	10.48
254JP	5.00	4.00	4.13	6.45	7.75	8.36	6.25	10.00	12.13	16.23	8.25	0.53	31.20	10.48
256JP	5.00	4.00	4.13	6.45	7.75	8.36	6.25	10.00	12.13	16.23	10.00	0.53	32.85	10.48
284JP	5.00	4.00	4.13	6.45	7.75	8.36	7.00	11.00	13.78	16.70	9.50	0.53	33.74	11.07
286JP	5.00	4.00	4.13	6.45	7.75	8.36	7.00	11.00	13.78	16.70	11.00	0.53	35.24	11.07
324JP	5.00	4.00	4.13	6.45	7.75	8.36	8.00	12.50	15.16	17.18	10.50	0.66	36.28	12.58
326JP	5.00	4.00	4.13	6.45	7.75	8.36	8.00	12.50	15.16	17.18	12.00	0.66	37.78	12.58
364JP	5.00	4.00	4.13	6.45	7.75	8.36	9.00	14.02	17.17	17.80	11.26	0.66	40.52	16.02
365JP	5.00	4.00	4.13	6.45	7.75	8.36	9.00	14.02	17.17	17.80	12.24	0.66	40.52	16.02

¹Dimension may vary with motor model and manufacturer

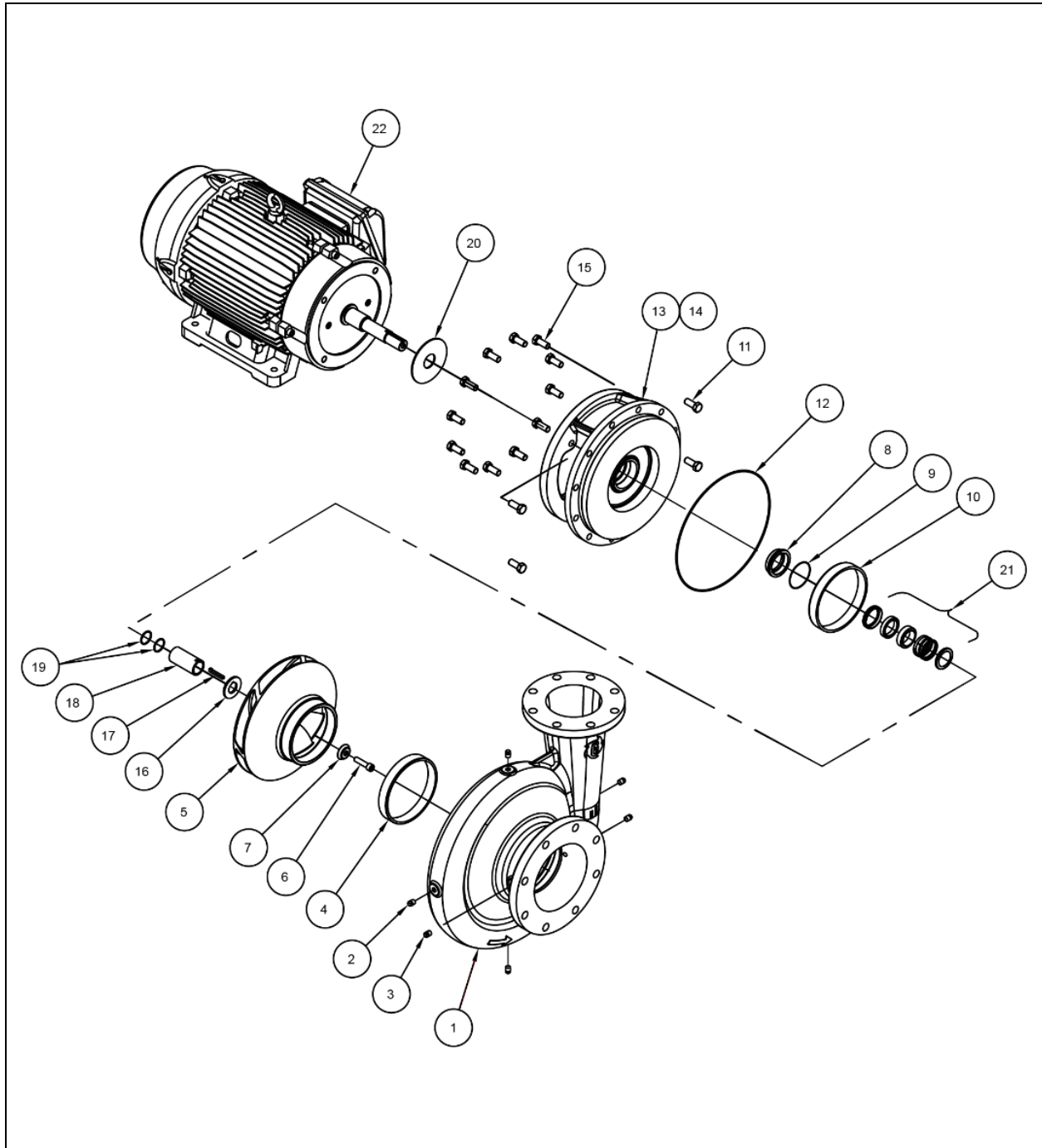
²150# Flange is dimensionally identical to a 125# Flange

³Bolt holes straddle pump centerlines

LG1837 REV. A

850 Series Model: 850CC/5X4-10/4P	PEI_{CL} 0.95	Impeller Diameter: 9.125 in.
850 Series Model: 850CC/5X4-10T/2P	PEI_{CL} 0.96	Impeller Diameter: 8.625 in.

EXPLODED VIEW



LG1818 REV. A

850 Series Model: 850CC/5X4-10/4P	PEI _{CL} 0.95	Impeller Diameter: 9.125 in.
850 Series Model: 850CC/5X4-10T/2P	PEI _{CL} 0.96	Impeller Diameter: 8.625 in.

850 SERIES – Model 5X4-10 & 5X4-10T



PARTS LISTING

Compatible Motor Frame Family			5x4-10			5x4-10T			Material of Construction
			143JM, 145JM, 182JM, 184JM (JM1)	213JM, 215JM (JM2)	254JM, 254JM (JM3)	213JP, 215JP, 254JP, 256JP (JP2)	284JP, 286JP, 324JP, 326JP (JP3)	364JP, 365JP, 404JP, 405JP (JP4)	
Item	Description	Qty.	P/N	P/N	P/N	P/N	P/N		
Case Kit									
1	Case Kit ^{1,3}	1	3400000K			Cast Iron, ASTM A48 Class 30			
2	Case Plugs 1/4" MNPT	5	31005911			Steel			
3	Case Plugs 1/2" MNPT	1	31006117			Steel			
4	Case Wear Ring	1	8040100			Bismuth Tin Bronze (Lead Free)			
Impeller Kit									
5	Impeller, Only ⁴	1	5400200	5400400		5405400	5405600	Aluminum Bronze, ASTM B148	
	Impeller, Kit ^{4,5}	1	5400200K	5400400K		5405400K	5405600K	Aluminum Bronze, ASTM B148	
Back Pull Out Kit									
6	Impeller Bolt SHCS, 3/8-16 x 2.25 Lg	1	S14C375B25SH8A1		Stainless Steel				
	Impeller Bolt SHCS, 1/2-13 x 1.50 Lg	1	S14C500A50SH8A1			Stainless Steel			
7	Impeller Washer	1	14412209	14417604		14417610	300 Series Stainless Steel		
8	Seal Adapter Kit ⁷								
9	Seal Adapter O-Ring								
10	Bracket Wear Ring	1				8025100	Bismuth Tin Bronze (Lead Free)		
11	Bracket/Motor Bolts HHCS, 3/8-16 x .88 Lg	4	14129324	Steel – Grade 5					
	Bracket/Motor Bolts HHCS, 1/2-13 x 1.00 Lg	4	14178701		Steel – Grade 5				
	Bracket/Motor Bolts HHCS, 1/2-13 x 1.25 Lg	4			14133003	Steel – Grade 5			
	Bracket/Motor Bolts HHCS, 5/8-11 x 1.50 Lg	4			14135008		Steel – Grade 5		
12	Case/Bracket O-Ring -273 Buna	1	47027404			Buna-N			
13	Bracket ^{2,3}	1	2159408K	2119907K	2128601K	2374800K	2384800K	2394800K	Cast Iron, ASTM A48 Class 30
14	Bracket Plug 1/2" MNPT (Not Shown)	1	31006117			Steel			
15	Case/Bracket Bolts HHCS, 1/2-13 x 1.00 Lg	8	14178701			Steel – Grade 5			
16	Impeller Spacer	1	14034606		14034607	14040307	300 Series Stainless Steel		
17	Impeller Key	1	14412407	22056007		14060801	Stainless Steel		
18	Sleeve, Kit ⁶	1	8287211K	8242400K	8028615K	8259210K			Bismuth Tin Bronze (Lead Free)
19	Sleeve O-Ring -022 Buna	2	47002209		Buna-N				
	Sleeve O-Ring -126 Buna	2	47012604			Buna-N			
	Sleeve O-Ring -132 Buna	1				47013206	Buna-N		
20	Deflector	1	22020408	22020507		22032205	Neoprene		
21	Mechanical Seal	1	See mechanical seal list for P/N						
22	Motor	1	Contact factory for P/N						

LG1826 REV. B

¹Case Kit includes item 2, 3, 4, 12, and 15

²Bracket Kit includes item 11, 14 and 20

³Part is available with epoxy coating of interior or interior + exterior. Specified part number is for uncoated part, contact factory for part numbers.

⁴Part is available with epoxy coating. Append 'PC' to the indicated part number when referring to the coated part

⁵Impeller Kit includes item 6, 7, 10, 16 and 17

⁶Sleeve Kit includes item 19

⁷Seal Adapter Kit includes item 9

850 Series Model: 850CC/5X4-10/4P	PEI_{CL} 0.95	Impeller Diameter: 9.125 in.
850 Series Model: 850CC/5X4-10T/2P	PEI_{CL} 0.96	Impeller Diameter: 8.625 in.

