

850 SERIES – Model 5X4-12T



Model 5X4-12T – Close-Coupled Configuration

PERFORMANCE

850CC/5X4-12T/4P

Max. Flow Rate: 545 gpm

Max. Head: 146 ft.

Max. Working Temperature: 250° F

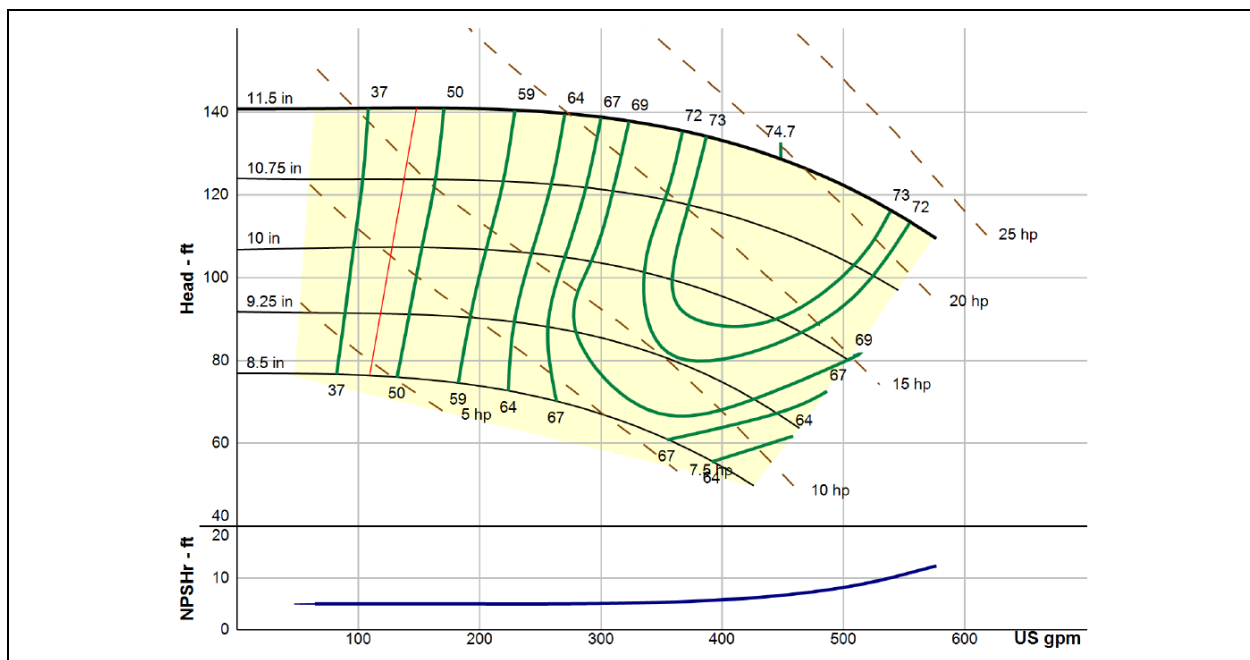
Max. Working Pressure: 175 psi

Max. Rated Speed: 1800 RPM

Max. Particle Size: 0.64" Diameter

Hydrotest Pressure: 263 psi

PERFORMANCE CURVE – 850CC/5X4-12T/4P, 1750 RPM



850 Series Model: 850CC/5X4-12T/4P

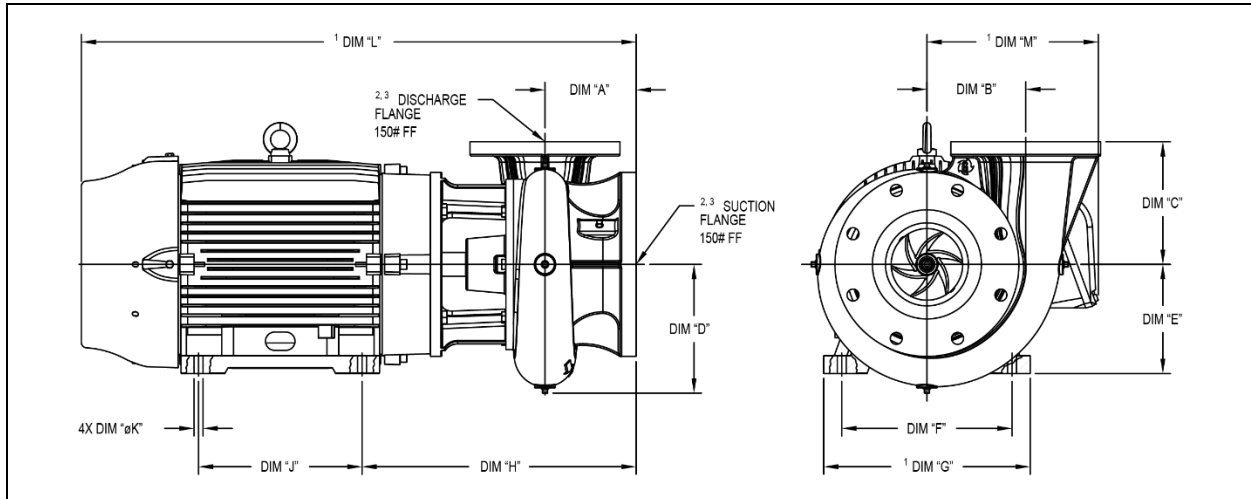
PEI_{CL} 0.99

Impeller Diameter: 11.500 in.

850 SERIES – Model 5X4-12T



DIMENSIONS (INCHES)



Motor Frame	Suction	Discharge	DIM "A"	DIM "B"	DIM "C"	DIM "D"	DIM "E"	DIM "F"	DIM "G"	DIM "H"	DIM "J"	DIM "ØK"	DIM "L"	DIM "M"
213JM	5.00	4.00	5.06	7.75	11.25	8.50	5.25	8.50	9.76	13.58	5.50	0.41	24.74	8.58
215JM	5.00	4.00	5.06	7.75	11.25	8.50	5.25	8.50	9.76	13.58	7.00	0.41	26.20	8.58
254JM	5.00	4.00	5.06	7.75	11.25	8.50	6.25	10.00	12.13	14.32	8.25	0.53	29.29	10.48
256JM	5.00	4.00	5.06	7.75	11.25	8.50	6.25	10.00	12.13	14.32	10.00	0.53	31.02	10.48

¹Dimension may vary with motor model and manufacturer

²150# Flange is dimensionally identical to a 125# Flange

³Bolt holes straddle pump centerlines

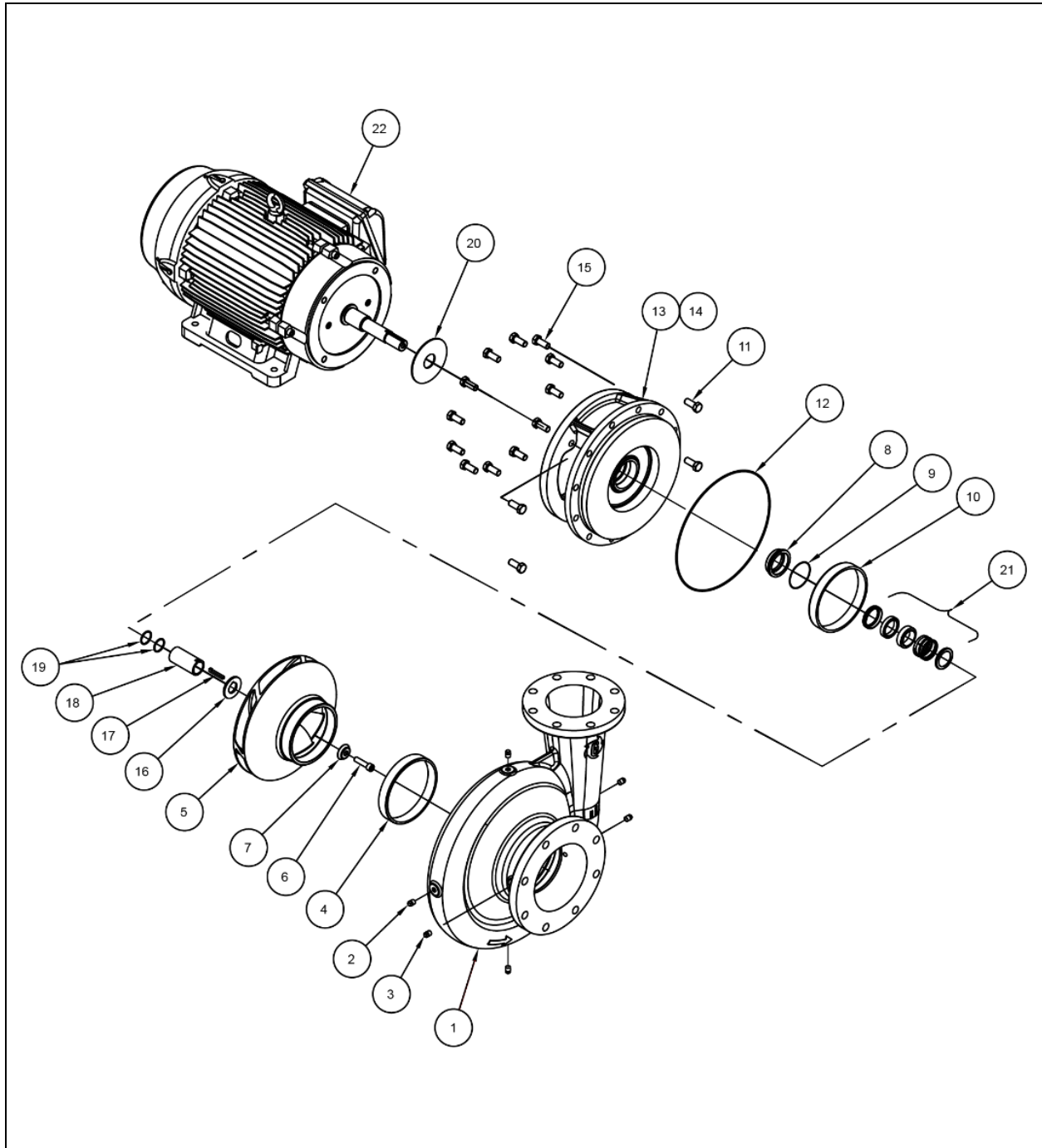
LG1836 REV. A

850 Series Model: 850CC/5X4-12T/4P	PEI_{CL} 0.99	Impeller Diameter: 11.500 in.
---	------------------------------	--------------------------------------

850 SERIES – Model 5X4-12T



EXPLODED VIEW



LG1818 REV. A

850 Series Model: 850CC/5X4-12T/4P	PEI _{CL} 0.99	Impeller Diameter: 11.500 in.
------------------------------------	------------------------	-------------------------------

850 SERIES – Model 5X4-12T



PARTS LISTING

Compatible Motor Frame Family			213JM, 215JM (JM2)	254JM, 256JM (JM3)	Material of Construction
Item	Description	Qty.	P/N	P/N	
Case Kit					
1	Case Kit ^{1,3}	1	3350000K		Ductile Iron, ASTM A395
2	Case Plugs 1/4" MNPT	6	31005911		Steel
3	Case Plugs 1/2" MNPT				
4	Case Wear Ring	1	8035100		Bismuth Tin Bronze (Lead Free)
Impeller Kit					
5	Impeller, Only ⁴	1	5355200	5355400	Aluminum Bronze, ASTM B148
	Impeller, Kit ^{4,5}	1	5355200K	5355400K	Aluminum Bronze, ASTM B148
Back Pull Out Kit					
6	Impeller Bolt SHCS, 3/8-16 x 2.00 Lg	1	S14C375B00SH8A1		Stainless Steel
	Impeller Bolt SHCS, 1/2-13 x 1.50 Lg	1	S14C500A50SH8A1		Stainless Steel
7	Impeller Washer	1	14412209	14412308	300 Series Stainless Steel
8	Seal Adapter Kit ⁷	1	7102001K		300 Series Stainless Steel
9	Seal Adapter O-Ring -036 Buna	1	036B		Buna-N
10	Bracket Wear Ring	1	8035100		Bismuth Tin Bronze (Lead Free)
11	Bracket/Motor Bolts HHCS, 1/2-13 x 1.25 Lg	4	14133003		Steel – Grade 5
12	Case/Bracket O-Ring -278 Buna	1	47027800		Buna-N
13	Bracket ^{2,3}	1	2525800K		Ductile Iron, ASTM A395
14	Bracket Plug 1/2" MNPT				
15	Case/Bracket Bolts HHCS, 1/2-13 x 1.25 Lg	12	14133003		Steel – Grade 5
16	Impeller Spacer				
17	Impeller Key	1	14412407	14412506	Stainless Steel
18	Sleeve, Kit ⁶	1	8222400K	8243000K	Bismuth Tin Bronze (Lead Free)
19	Sleeve O-Ring -022 Buna	2	47002209		Buna-N
	Sleeve O-Ring -126 Buna	2	47012604		Buna-N
20	Deflector	1	22020408	22020508	Neoprene
21	Mechanical Seal	1	See mechanical seal list for P/N		
22	Motor	1	Contact factory for P/N		

LG1825 REV. B

¹Case Kit includes item 2, 3, 4, 12, and 15

²Bracket Kit includes item 11, 14 and 20

³Part is available with epoxy coating of interior or interior + exterior. Specified part number is for uncoated part, contact factory for part numbers.

⁴Part is available with epoxy coating. Append 'PC' to the indicated part number when referring to the coated part

⁵Impeller Kit includes item 6, 7, 10, 16 and 17

⁶Sleeve Kit includes item 19

⁷Seal Adapter Kit includes item 9

850 Series Model: 850CC/5X4-12T/4P

PEI_{CL} 0.99

Impeller Diameter: 11.500 in.

GRS-17107-T-01

PAGE 4 OF 4



Copyright 2019 PSG®, a Dover® Company.

PSG® reserves the right to modify the information and illustrations contained in this document without prior notice. This is a non-contractual document.