

850 SERIES – Model 6X5-14T



Model 6X5-14T – Close-Coupled Configuration

PERFORMANCE

850CC/6X5-14T/4P

Max. Flow Rate: 1,078 gpm

Max. Head: 192 ft.

Max. Working Temperature: 120° F

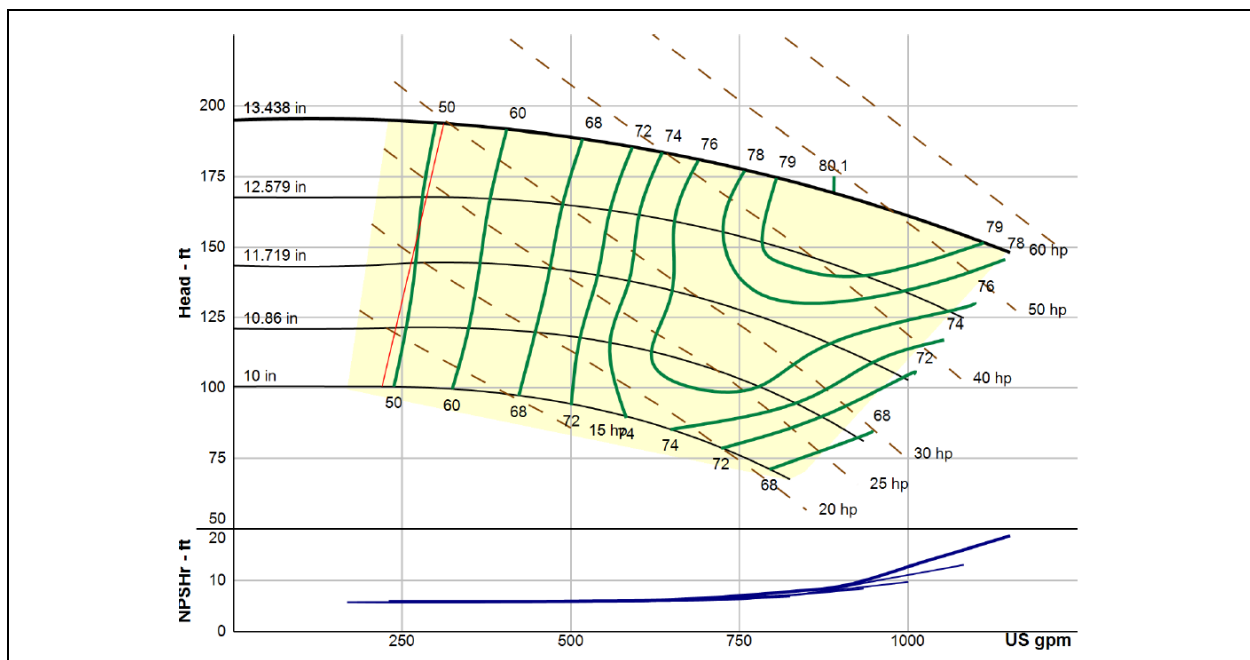
Max. Working Pressure: 150 psi

Max. Rated Speed: 1800 RPM

Max. Particle Size: 0.9" Diameter

Hydrotest Pressure: 225 psi

PERFORMANCE CURVE – 850CC/6X5-14T/4P, 1750 RPM



850 Series Model: 850CC/6X5-14T/4P

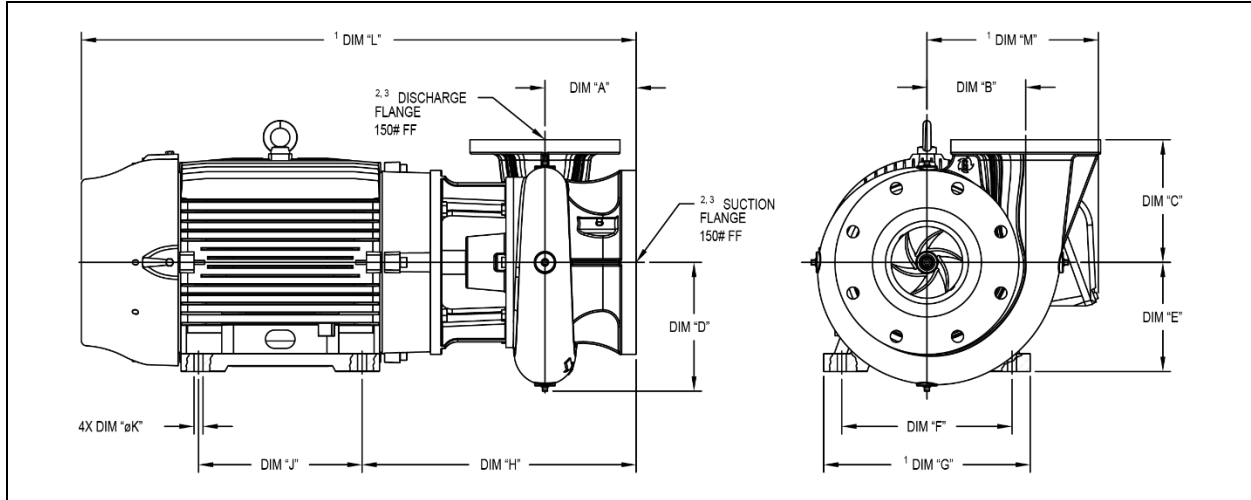
PEI_{CL} 0.96

Impeller Diameter: 13.438 in.

850 SERIES – Model 6X5-14T



DIMENSIONS (INCHES)



Motor Frame	Suction	Discharge	DIM "A"	DIM "B"	DIM "C"	DIM "D"	DIM "E"	DIM "F"	DIM "G"	DIM "H"	DIM "J"	DIM "ØK"	DIM "L"	DIM "M"
284JP	6.00	5.00	5.56	8.94	12.56	10.56	7.00	11.00	13.78	17.26	9.50	0.53	34.30	11.07
286JP	6.00	5.00	5.56	8.94	12.56	10.56	7.00	11.00	13.78	17.26	11.00	0.53	35.80	11.07
324JP	6.00	5.00	5.56	8.94	12.56	10.56	8.00	12.50	15.16	17.75	10.50	0.66	36.85	12.58
326JP	6.00	5.00	5.56	8.94	12.56	10.56	8.00	12.50	15.16	17.75	12.00	0.66	38.34	12.58

¹Dimension may vary with motor model and manufacturer

²150# Flange is dimensionally identical to a 125# Flange

³Bolt holes straddle pump centerlines

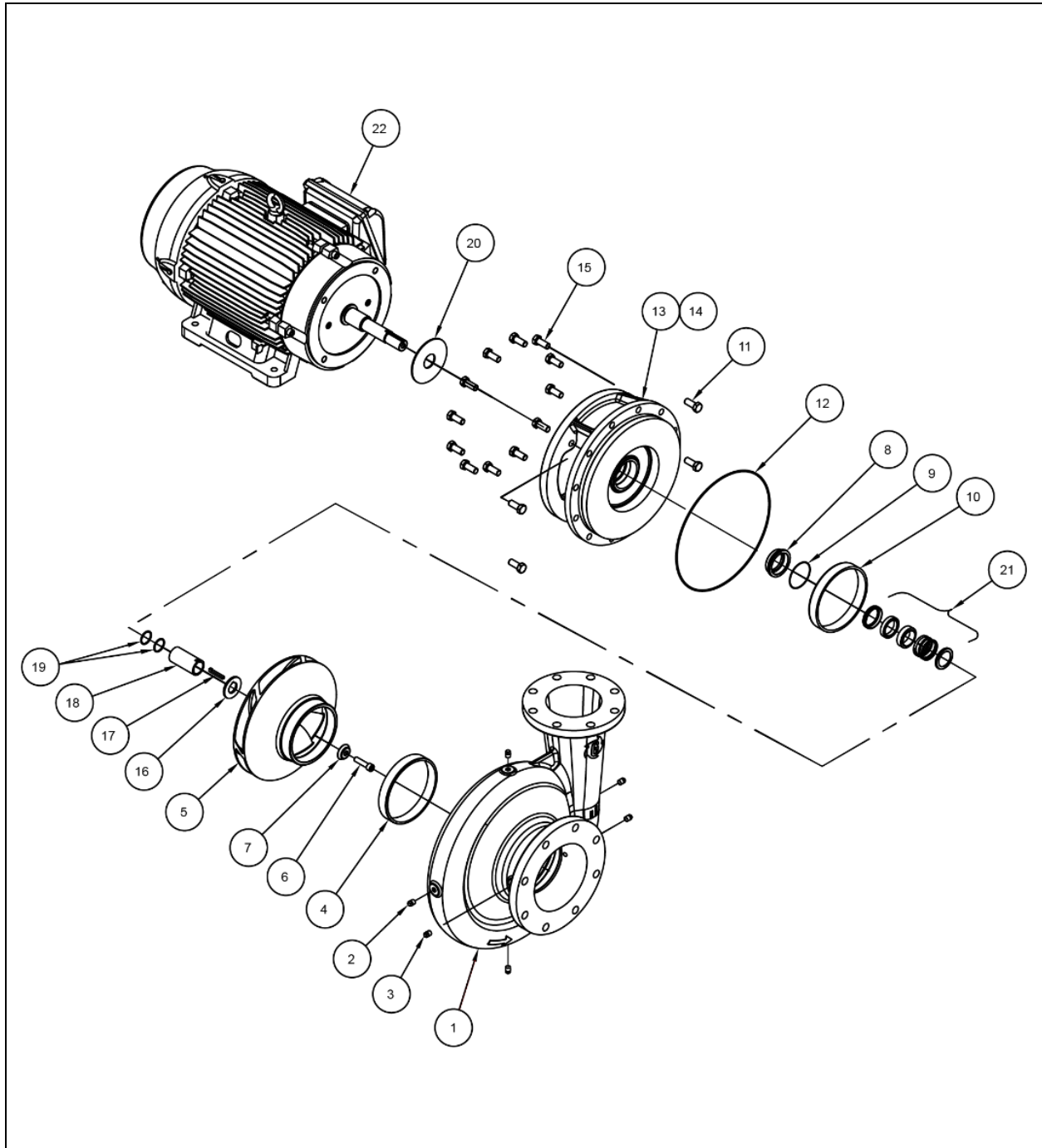
LG1838 REV. A

850 Series Model: 850CC/6X5-14T/4P	PEI_{CL} 0.96	Impeller Diameter: 13.438 in.
---	------------------------------	--------------------------------------

850 SERIES – Model 6X5-14T



EXPLODED VIEW



LG1818 REV. A

850 Series Model: 850CC/6X5-14T/4P

PEI_{CL} 0.96

Impeller Diameter: 13.438 in.

850 SERIES – Model 6X5-14T



PARTS LISTING

Compatible Motor Frame Family			284JP, 286JP, 324JP, 326JP (JP3)	Material of Construction
Item	Description	Qty.	P/N	
Case Kit				
1	Case Kit ^{1,3}	1	3500000K	Ductile Iron, ASTM A395
2	Case Plugs 1/4" MNPT	6	31005911	Steel
3	Case Plugs 1/2" MNPT			
4	Case Wear Ring	1	8050100	Bismuth Tin Bronze (Lead Free)
Impeller Kit				
5	Impeller, Only ⁴	1	5505400	Aluminum Bronze, ASTM B148
	Impeller, Kit ^{4,5}	1	5505400K	Aluminum Bronze, ASTM B148
Back Pull Out Kit				
6	Impeller Bolt SHCS, 1/2-13 x 1.50 Lg	1	S14C500A50SH8A1	Stainless Steel
7	Impeller Washer	1	14417604	300 Series Stainless Steel
8	Seal Adapter Kit ⁷			
9	Seal Adapter O-Ring -036 Buna			
10	Bracket Wear Ring	1	8050200	Bismuth Tin Bronze (Lead Free)
11	Bracket/Motor Bolts HHCS, 5/8-11 x 1.75 Lg	4	3861-72	Steel – Grade 5
12	Case/Bracket O-Ring -279 Buna	1	47027909	Buna-N
13	Bracket ^{2,3}	1	2886600K	Cast Iron, ASTM A395
14	Bracket Plug 1/2" MNPT	1	31006117	Steel
15	Case/Bracket Bolts HHCS, 5/8-11 x 1.25 Lg	8	3861-167	Steel – Grade 5
16	Impeller Spacer			
17	Impeller Key	1	22056007	Stainless Steel
18	Sleeve, Kit ⁶	1	8243600K	Bismuth Tin Bronze (Lead Free)
19	Sleeve O-Ring -126 Buna	2	47012604	Buna-N
20	Deflector	1	22020507	Neoprene
21	Mechanical Seal	1	See mechanical seal list for P/N	
22	Motor	1	Contact factory for P/N	

LG1827 REV. B

¹Case Kit includes item 2, 3, 4, 12, and 15

²Bracket Kit includes item 11, 14 and 20

³Part is available with epoxy coating of interior or interior + exterior. Specified part number is for uncoated part, contact factory for part numbers.

⁴Part is available with epoxy coating. Append 'PC' to the indicated part number when referring to the coated part

⁵Impeller Kit includes item 6, 7, 10, 16 and 17

⁶Sleeve Kit includes item 19

⁷Seal Adapter Kit includes item 9

850 Series Model: 850CC/6X5-14T/4P

PEI_{CL} 0.96

Impeller Diameter: 13.438 in.

GRS-17108-T-01

PAGE 4 OF 4



Copyright 2019 PSG®, a Dover® Company.

PSG® reserves the right to modify the information and illustrations contained in this document without prior notice. This is a non-contractual document.