

850 SERIES – Model 8X6-10



Model 8X6-10 – Close-Coupled Configuration

PERFORMANCE

850CC/8X6-10/4P

Max. Flow Rate: 1,244 gpm

Max. Head: 82 ft.

Max. Working Temperature: 120° F

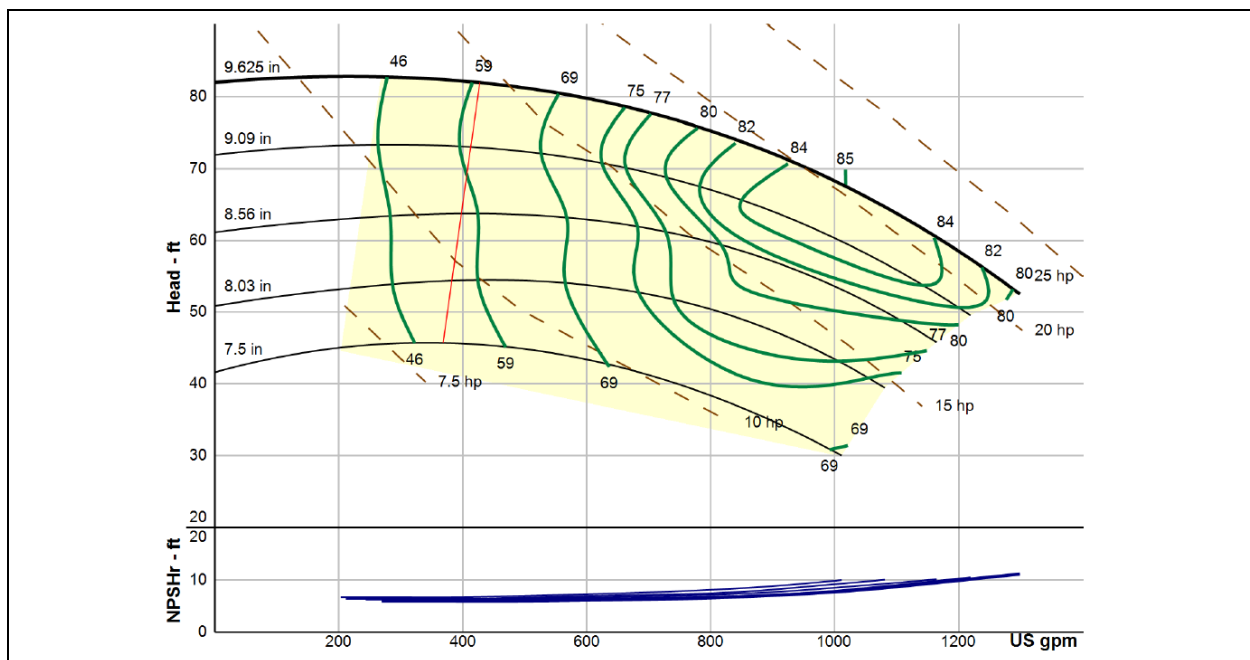
Max. Working Pressure: 100 psi

Max. Rated Speed: 1800 RPM

Max. Particle Size: 1.02" Diameter

Hydrotest Pressure: 150 psi

PERFORMANCE CURVE – 850CC/8X6-10/4P, 1760 RPM



850 Series Model: 850CC/8X6-10/4P

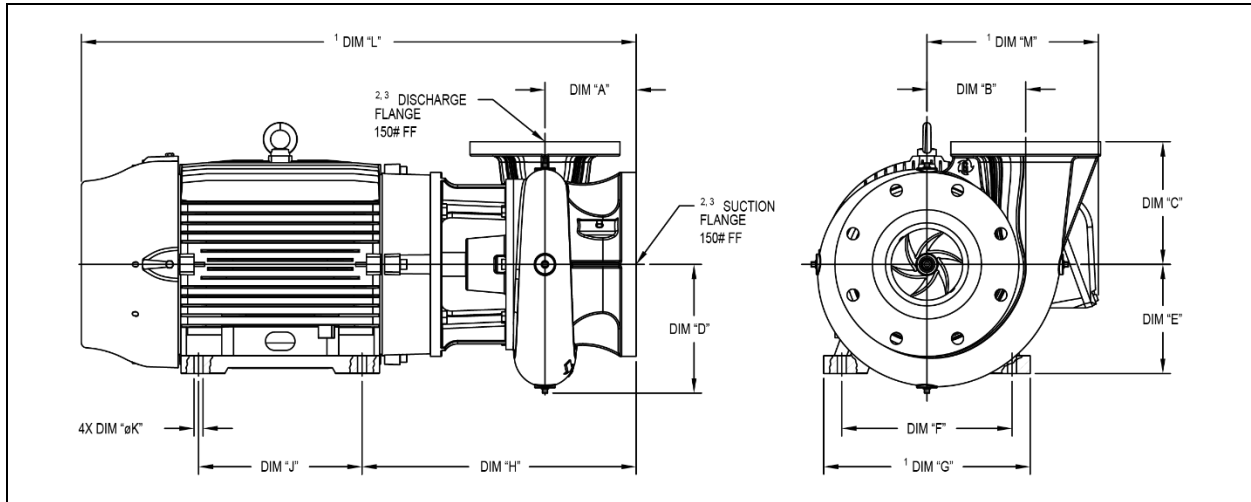
PEI_{CL} 0.95

Impeller Diameter: 9.625 in.

850 SERIES – Model 8X6-10



DIMENSIONS (INCHES)



Motor Frame	Suction	Discharge	DIM "A"	DIM "B"	DIM "C"	DIM "D"	DIM "E"	DIM "F"	DIM "G"	DIM "H"	DIM "J"	DIM "ØK"	DIM "L"	DIM "M"
213JP	8.00	6.00	6.69	7.25	9.00	9.44	5.25	8.50	9.76	18.42	5.50	0.41	25.58	8.58
215JP	8.00	6.00	6.69	7.25	9.00	9.44	5.25	8.50	9.76	18.42	7.00	0.41	31.04	8.58
254JP	8.00	6.00	6.69	7.25	9.00	9.44	6.25	10.00	12.13	19.16	8.25	0.53	34.13	10.48
256JP	8.00	6.00	6.69	7.25	9.00	9.44	6.25	10.00	12.13	19.16	10.00	0.53	35.86	10.48
284JP	8.00	6.00	6.69	7.25	9.00	9.44	7.00	11.00	13.78	19.63	9.50	0.53	36.67	11.07
286JP	8.00	6.00	6.69	7.25	9.00	9.44	7.00	11.00	13.78	19.63	11.00	0.53	38.17	11.07

¹Dimension may vary with motor model and manufacturer
²150# Flange is dimensionally identical to a 125# Flange
³Bolt holes straddle pump centerlines

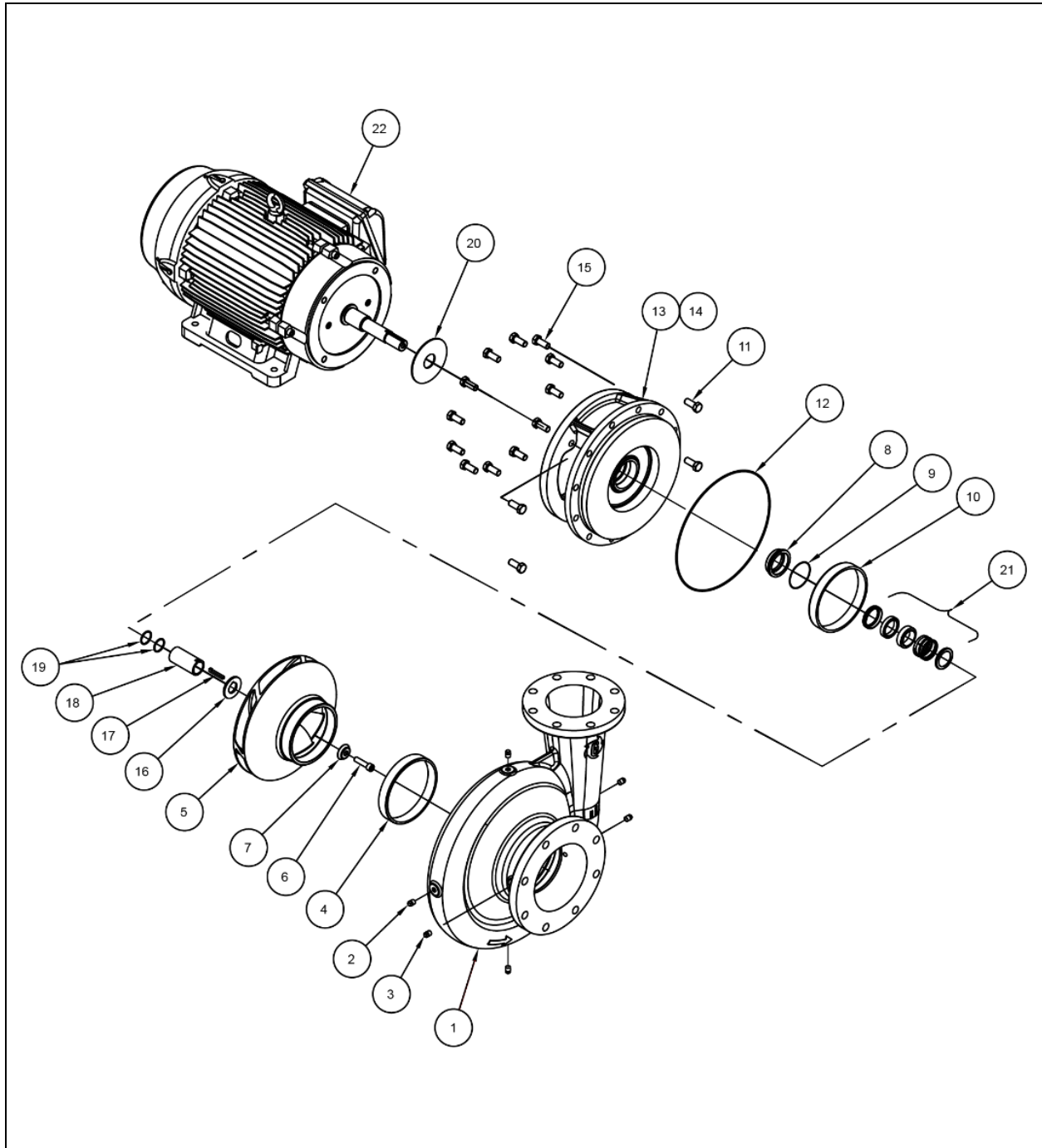
LG1840 REV. B

850 Series Model: 850CC/8X6-10/4P	PEI_{CL} 0.95	Impeller Diameter: 9.625 in.
--	------------------------------	-------------------------------------

850 SERIES – Model 8X6-10



EXPLODED VIEW



LG1818 REV. A

850 Series Model: 850CC/8X6-10/4P	PEI _{CL} 0.95	Impeller Diameter: 9.625 in.
-----------------------------------	------------------------	------------------------------

850 SERIES – Model 8X6-10



PARTS LISTING

Compatible Motor Frame Family			213JP, 215JP 254JP, 256JP (JP2)	364JP, 365JP 324JP, 326JP (JP3)	Material of Construction
Item	Description	Qty.	P/N	P/N	
Case Kit					
1	Case Kit ^{1,3}	1	3079407K		Cast Iron, ASTM A48 Class 30
2	Case Plugs 1/4" MNPT	6	31005911		Steel
3	Case Plugs 1/2" MNPT				
4	Case Wear Ring	1	8060100		Bismuth Tin Bronze (Lead Free)
Impeller Kit					
5	Impeller, Only ⁴	1	5600400		Aluminum Bronze, ASTM B148
	Impeller, Kit ^{4,5}	1	5600400K		Aluminum Bronze, ASTM B148
Back Pull Out Kit					
6	Impeller Bolt SHCS, 1/2-13 x 2.00 Lg	1	S14C500B00SH8A1		Stainless Steel
7	Impeller Washer	1	14412308		300 Series Stainless Steel
8	Seal Adapter Kit ⁷				
9	Seal Adapter O-Ring				
10	Bracket Wear Ring				
11	Bracket/Motor Bolts HHCS, 1/2-13 x 1.25 Lg	4	14133003		Steel – Grade 5
	Bracket/Motor Bolts HHCS, 5/8-11 x 1.50 Lg	4		14135008	Steel – Grade 5
12	Case/Bracket O-Ring -273 Buna	1	47027404		Buna-N
13	Bracket ^{2,3}	1	2374800K	2384800K	Cast Iron, ASTM A48 Class 30
14	Bracket Plug 1/2" MNPT	1	31006117		Steel
15	Case/Bracket Bolts HHCS, 1/2-13 x 1.00 Lg	8	14178701		Steel – Grade 5
16	Impeller Spacer	1	14034607		300 Series Stainless Steel
17	Impeller Key	1	22056007		Stainless Steel
18	Sleeve, Kit ⁶	1	8243600K		Bismuth Tin Bronze (Lead Free)
19	Sleeve O-Ring -126 Buna	2	47012604		Buna-N
20	Deflector	1	22020507		Neoprene
21	Mechanical Seal	1	See mechanical seal list for P/N		
22	Motor	1	Contact factory for P/N		

LG1829 REV. B

¹Case Kit includes item 2, 3, 4, 12, and 15

²Bracket Kit includes item 11, 14 and 20

³Part is available with epoxy coating of interior or interior + exterior. Specified part number is for uncoated part, contact factory for part numbers.

⁴Part is available with epoxy coating. Append 'PC' to the indicated part number when referring to the coated part

⁵Impeller Kit includes item 6, 7, 10, 16 and 17

⁶Sleeve Kit includes item 19

⁷Seal Adapter Kit includes item 9

850 Series Model: 850CC/8X6-10/4P	PEI_{CL} 0.95	Impeller Diameter: 9.625 in.
--	------------------------------	-------------------------------------

