



Model 3X1.5-10 & 3X1.5-10T – Frame-Mounted Configuration

PERFORMANCE

850FM/3X1.5-10/4P

Max. Flow Rate: 145 gpm

Max. Head: 11 ft.

Max. Working Temperature: 120° F

Max. Working Pressure: 100 psi

Max. Rated Speed: 1800 RPM

Max. Particle Size: 0.5" Diameter

Hydrotest Pressure: 150 psi

850FM/3X1.5-10T/2P

Max. Flow Rate: 316 gpm

Max. Head: 438 ft.

Max. Working Temperature: 120° F

Max. Working Pressure: 225 psi

Max. Rated Speed: 3600 RPM

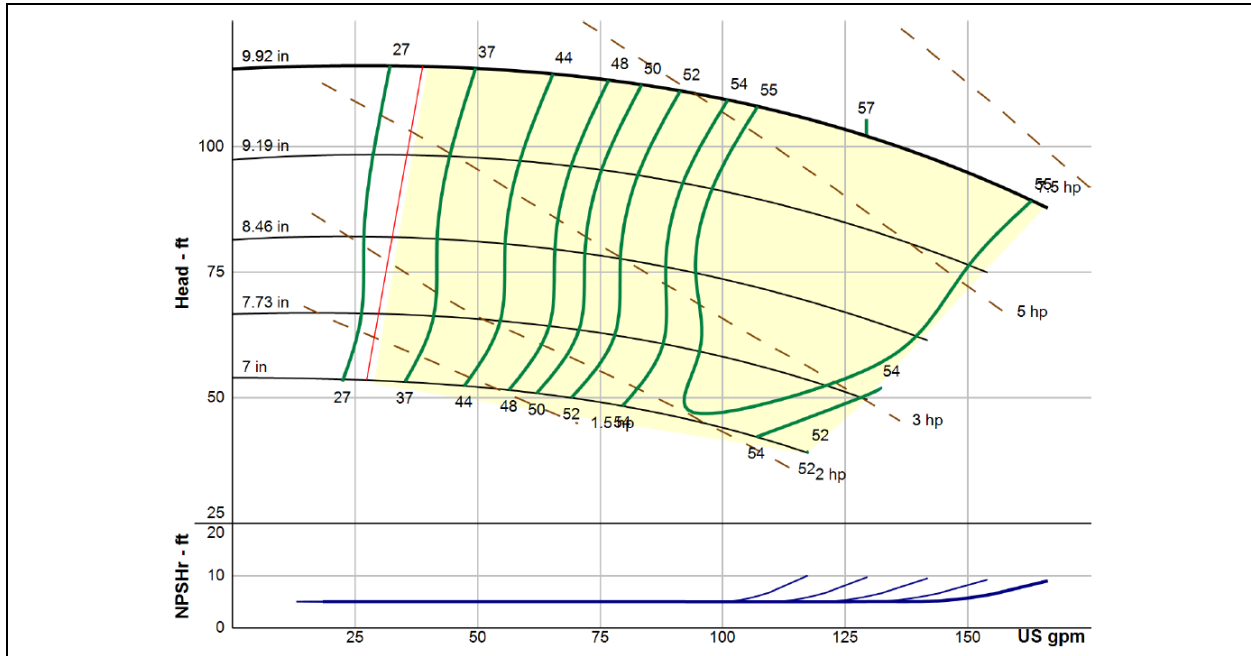
Max. Particle Size: 0.5" Diameter

Hydrotest Pressure: 338 psi

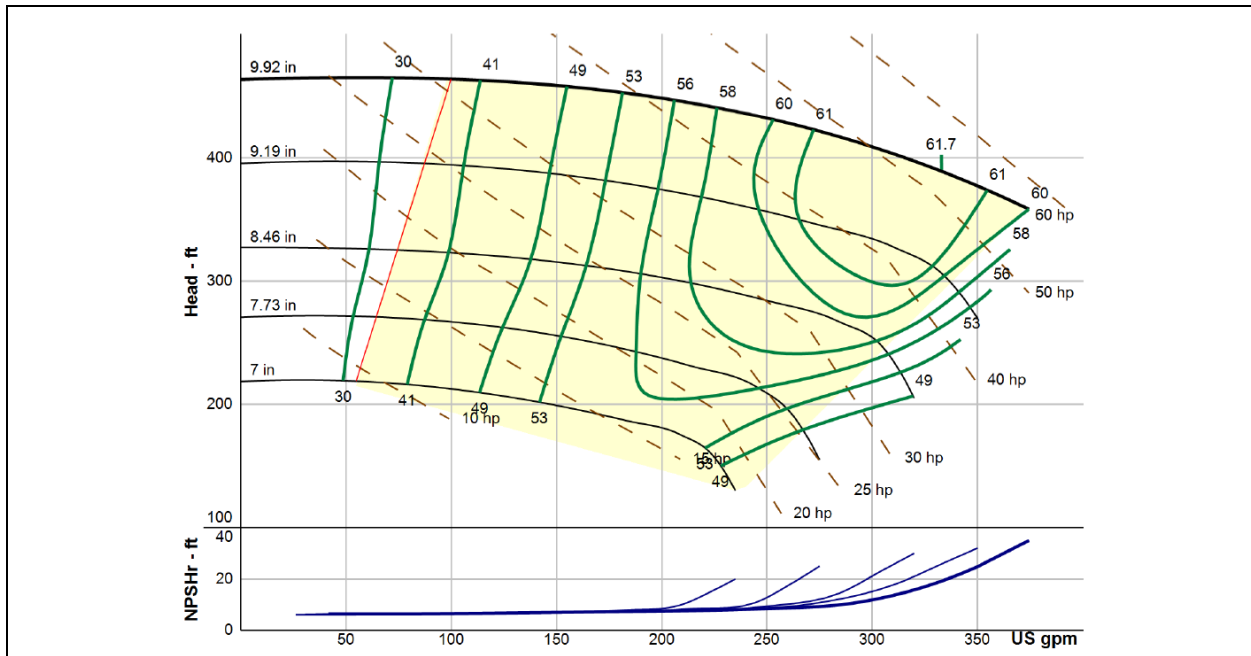
850 Series Model: 850FM/3X1.5-10/4P	PEI_{CL} 0.92	Impeller Diameter: 9.920 in.
850 Series Model: 850FM/3X1.5-10T/2P	PEI_{CL} 0.92	Impeller Diameter: 9.920 in.



PERFORMANCE CURVE – 850FM/3X1.5-10/4P, 1800 RPM

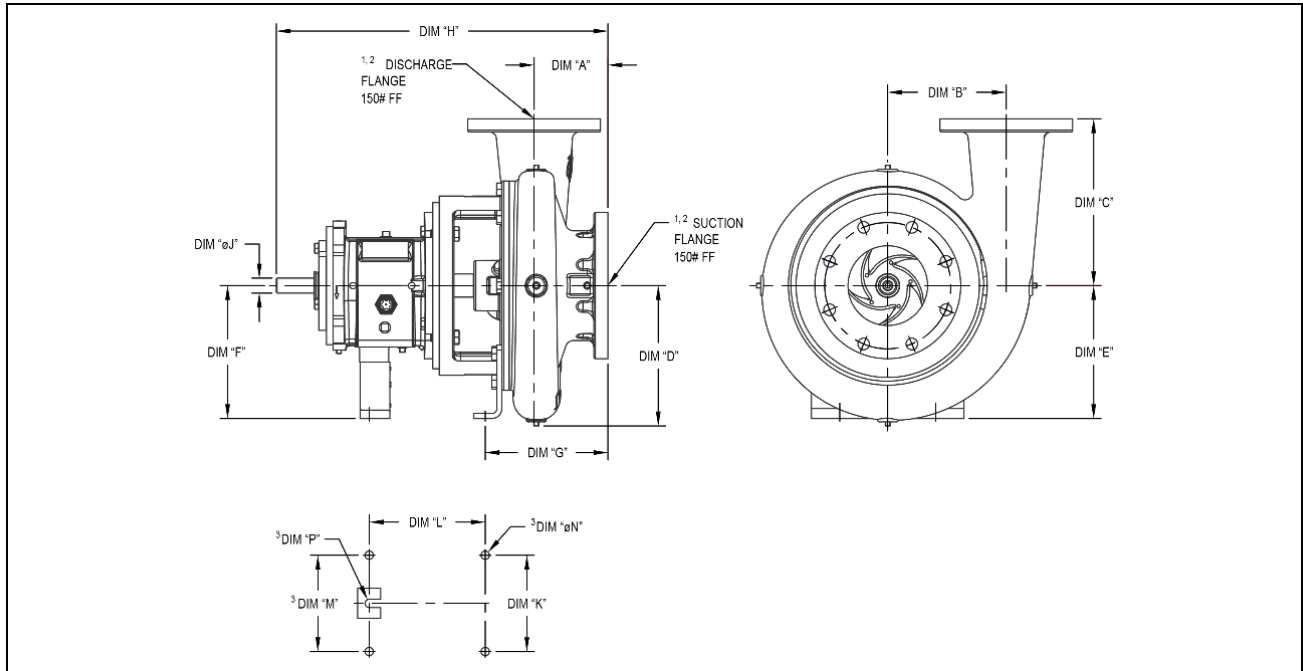


PERFORMANCE CURVE – 850FM/3X1.5-10T/2P, 3600 RPM



850 Series Model: 850FM/3X1.5-10/4P	PEI _{CL} 0.92	Impeller Diameter: 9.920 in.
850 Series Model: 850FM/3X1.5-10T/2P	PEI _{CL} 0.92	Impeller Diameter: 9.920 in.

DIMENSIONS (INCHES)



Motor Frame	Suction	Discharge	DIM "A"	DIM "B"	DIM "C"	DIM "D"	DIM "E"	DIM "F"	DIM "G"	DIM "H"	Dim "ØJ"	DIM "K"	DIM "L"	DIM "M"	Dim "ØN"	DIM "P"
PFS	3.00	1.50	4.00	5.50	6.75	6.81	8.34	5.25	7.38	16.96	0.88	7.25	3.34	N/A	0.63	R.31
PFM	3.00	1.50	4.00	5.50	6.75	6.81	8.34	8.25	7.44	24.00	1.13	7.25	9.56	7.25	0.63	N/A

¹150# Flange is dimensionally identical to a 125# Flange

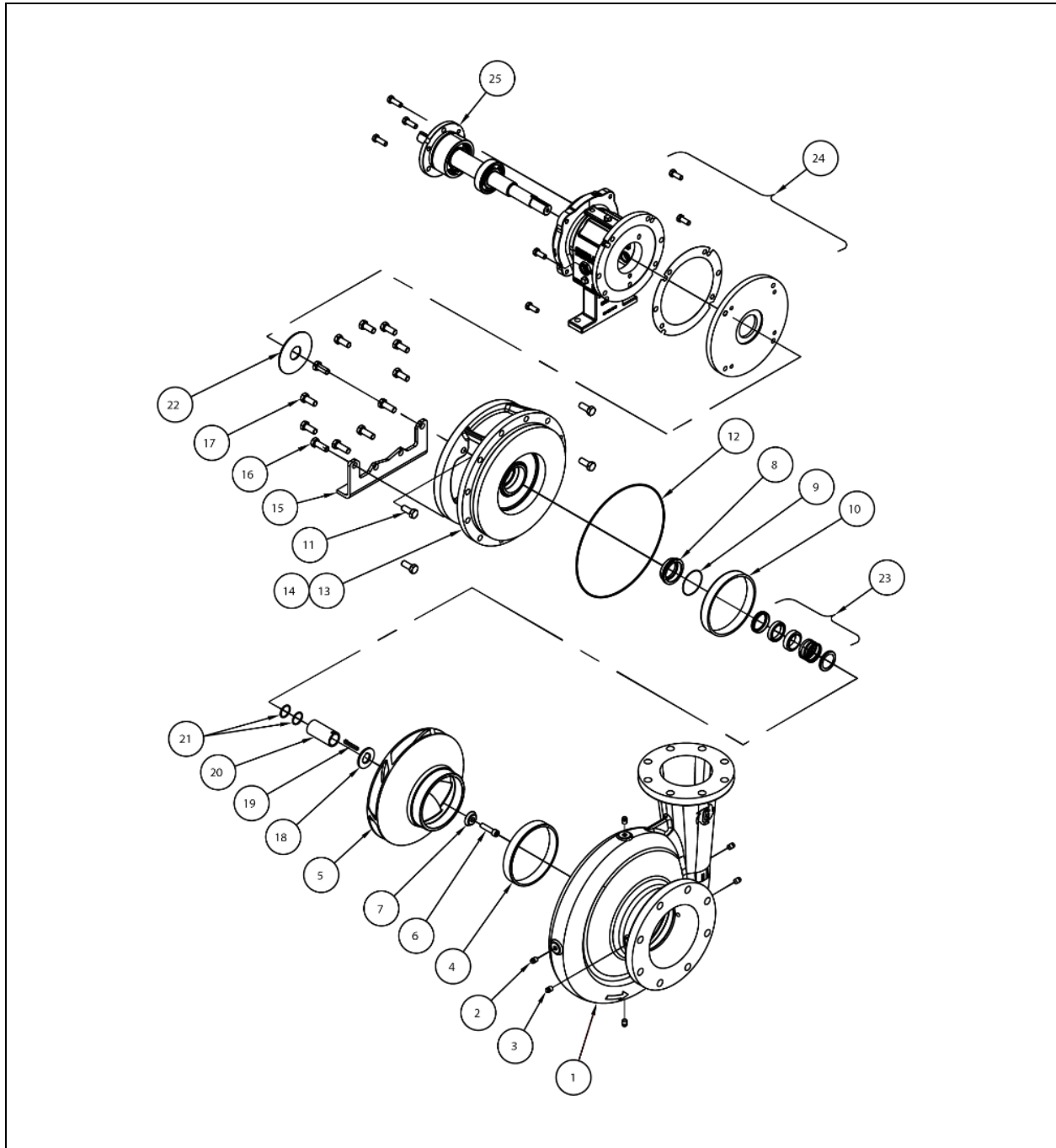
²Bolt holes straddle pump centerlines

³Mounting bolt hold patterns vary with power frames used.

Pumps fitted with small power frames use 3 holes, while pumps fitted with medium or large power frames use 4 holes.

850 Series Model: 850FM/3X1.5-10/4P	PEI_{CL} 0.92	Impeller Diameter: 9.920 in.
850 Series Model: 850FM/3X1.5-10T/2P	PEI_{CL} 0.92	Impeller Diameter: 9.920 in.

EXPLODED VIEW



LG1819 REV. A

850 Series Model: 850FM/3X1.5-10/4P	PEI _{CL} 0.92	Impeller Diameter: 9.920 in.
850 Series Model: 850FM/3X1.5-10T/2P	PEI _{CL} 0.92	Impeller Diameter: 9.920 in.

850 SERIES – Model 3X1.5-10 & 3X1.5-10T



PARTS LISTING

Compatible Motor Frame Family			3x1.5-10	3x1.5-10T	Material of Construction
Item	Description	Qty.	PFS (Power Frame Small)	PFM (Power Frame Medium)	
Case Kit					
1	Case Kit ^{1,3}	1	3300000K		Ductile Iron, ASTM A395
2	Case Plugs 1/4" MNPT	6	31005911		Steel
3	Case Plugs 1/2" MNPT				
4	Case Wear Ring	1	8030100		Bismuth Tin Bronze (Lead Free)
Impeller Kit					
5	Impeller, Only ⁴	1	5300200	5305400	Aluminum Bronze, ASTM B148
	Impeller, Kit ^{4,5}	1	5300200K	5305400K	Aluminum Bronze, ASTM B148
Back Pull Out Kit					
6	Impeller Bolt SHCS, 3/8-16 x 2.00 Lg	1	S14C375B00SH8A1		Stainless Steel
	Impeller Bolt SHCS, 3/8-16 x 1.25 Lg	1		S14C500A25SH8A1	Stainless Steel
7	Impeller Washer	1	14412209	14412308	300 Series Stainless Steel
8	Seal Adapter Kit ⁷				
9	Seal Adapter O-Ring				
10	Bracket Wear Ring	1		8030200	Bismuth Tin Bronze (Lead Free)
11	Bracket/Motor Bolts HHCS, 3/8-16 x .75 Lg	4	S01C375750WA2A2		Steel – Grade 5
	Bracket/Motor Bolts HHCS, 5/8-11 x 1.50 Lg	4		14135008	Steel – Grade 5
12	Case/Bracket O-Ring -279 Buna	1	47027404		Buna-N
13	Bracket ^{2,3}	1	24342EFGK	2384800K	Ductile Iron, ASTM A395
14	Bracket Plug 1/2" MNPT	1		31006117	Steel
15	Bracket, Foot	1	2049613		Steel
16	Case/Bracket Bolts HHCS, 1/2-13 x 1.00 Lg	6	14178701		Steel – Grade 5
17	Case/Bracket Bolts HHCS, 1/2-13 x 1.50 Lg	2	14073316		Steel – Grade 5
18	Impeller Spacer	1		14034607	300 Series Stainless Steel
19	Impeller Key	1	14412407	22056007	Stainless Steel
20	Sleeve, Kit ⁶	1	8222400K	8243600K	Bismuth Tin Bronze (Lead Free)
21	Sleeve O-Ring -022 Buna	2	47002209		Buna-N
	Sleeve O-Ring -126 Buna	2		47012604	Buna-N
22	Deflector	1	22020408	22020507	Neoprene
23	Mechanical Seal	1	See mechanical seal list for P/N		
24	Assembly, Power Frame	1	PFS-850-K	PFMA-850-K	
25	Assembly, Rotating	1	24000-04-41A-RO	24001-04-41A-RO	

LG1862 REV. B

¹Case Kit includes item 2, 3, 4, 12, and 17

²Bracket Kit includes item 11, 14 and 22

³Part is available with epoxy coating of interior or interior + exterior. Specified part number is for uncoated part, contact factory for part numbers.

⁴Part is available with epoxy coating. Append 'PC' to the indicated part number when referring to the coated part

⁵Impeller Kit includes item 6, 7, 10, 18 and 19

⁶Sleeve Kit includes item 21

⁷Seal Adapter Kit includes item 9

850 Series Model: 850FM/3X1.5-10/4P	PEI_{CL} 0.92	Impeller Diameter: 9.920 in.
850 Series Model: 850FM/3X1.5-10T/2P	PEI_{CL} 0.92	Impeller Diameter: 9.920 in.

