



## Model 4X3-10 & 4X3-10T – Frame-Mounted Configuration

### PERFORMANCE

#### 850FM/4X3-10/4P

**Max. Flow Rate:** 367 gpm  
**Max. Head:** 89 ft.  
**Max. Working Temperature:** 120° F  
**Max. Working Pressure:** 100 psi

**Max. Rated Speed:** 1800 RPM  
**Max. Particle Size:** 0.58" Diameter  
**Hydrotest Pressure:** 150 psi

#### 850FM/4X3-10T/2P

**Max. Flow Rate:** 670 gpm  
**Max. Head:** 305 ft.  
**Max. Working Temperature:** 120° F  
**Max. Working Pressure:** 175 psi

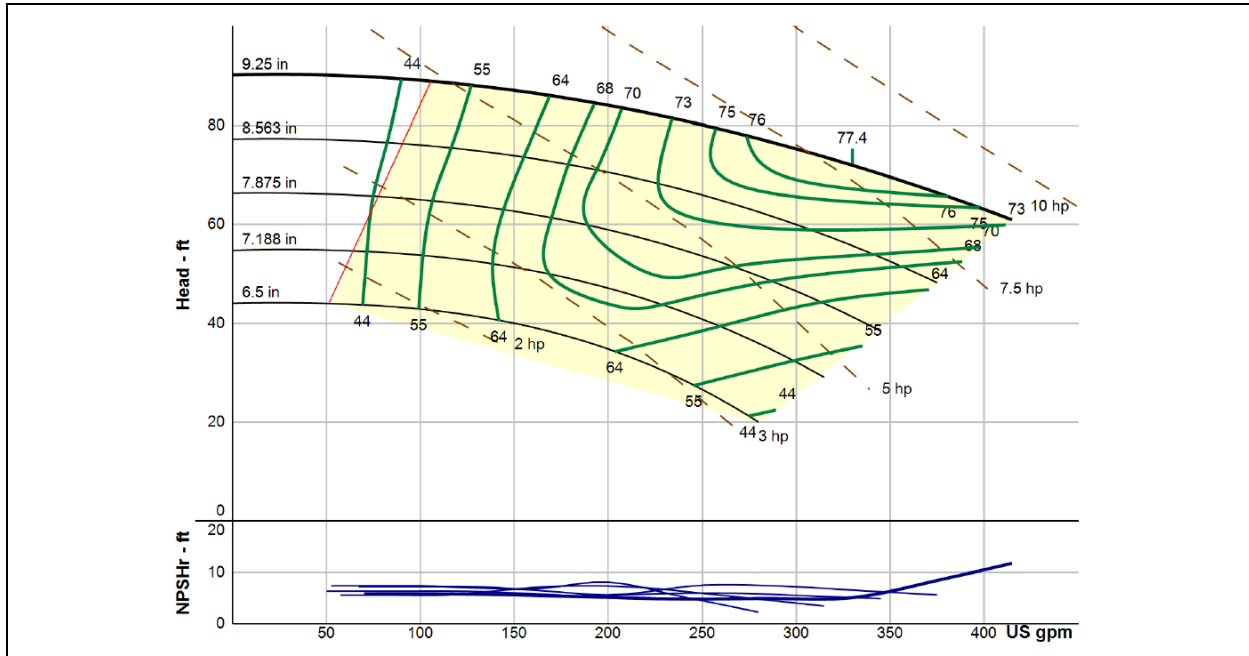
**Max. Rated Speed:** 3600 RPM  
**Max. Particle Size:** 0.6" Diameter  
**Hydrotest Pressure:** 263 psi

<b>850 Series Model: 850FM/4X3-10/4P</b>	<b>PEI<sub>CL</sub> 0.93</b>	<b>Impeller Diameter: 9.250 in.</b>
<b>850 Series Model: 850FM/4X3-10T/2P</b>	<b>PEI<sub>CL</sub> 0.96</b>	<b>Impeller Diameter: 8.700 in.</b>

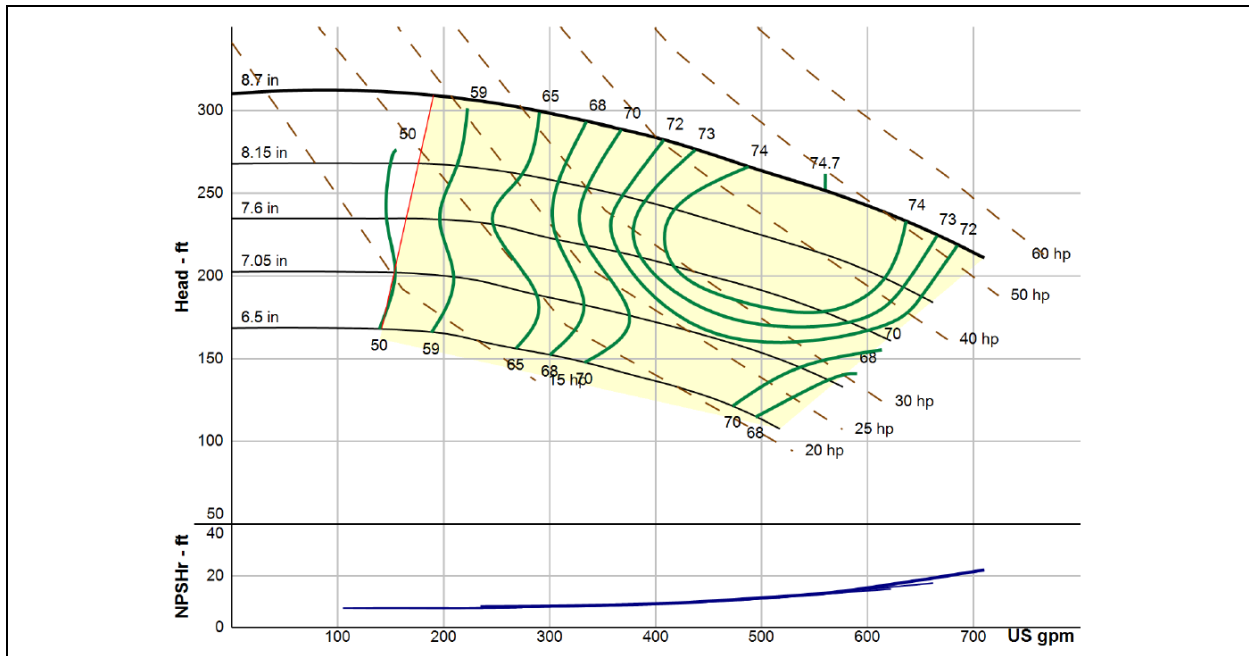
# 850 SERIES – Model 4X3-10 & 4X3-10T



## PERFORMANCE CURVE – 850FM/4X3-10/4P, 1750 RPM



## PERFORMANCE CURVE – 850FM/4X3-10T/2P, 3450 RPM

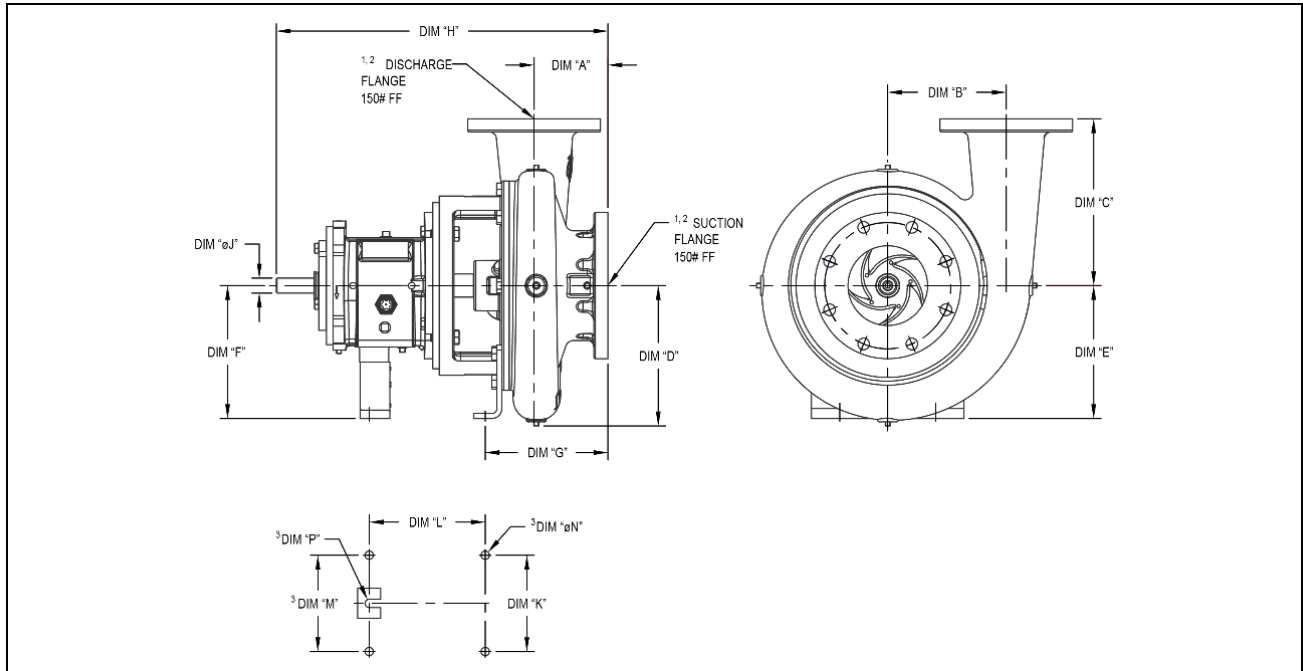


850 Series Model: 850FM/4X3-10/4P	PEI <sub>CL</sub> 0.93	Impeller Diameter: 9.250 in.
850 Series Model: 850FM/4X3-10T/2P	PEI <sub>CL</sub> 0.96	Impeller Diameter: 8.700 in.

# 850 SERIES – Model 4X3-10 & 4X3-10T



## DIMENSIONS (INCHES)



Motor Frame	Suction	Discharge	DIM "A"	DIM "B"	DIM "C"	DIM "D"	DIM "E"	DIM "F"	DIM "G"	DIM "H"	Dim "ØJ"	DIM "K"	DIM "L"	DIM "M"	Dim "ØN"	DIM "P"
PFS	4.00	3.00	3.63	5.81	8.50	7.59	8.34	5.25	6.98	16.56	0.88	7.25	3.34	N/A	0.63	R.313
PFM	4.00	3.00	3.63	5.81	8.50	7.59	8.34	8.25	7.04	23.60	1.13	7.25	9.59	7.25	0.63	N/A

<sup>1</sup>150# Flange is dimensionally identical to a 125# Flange

<sup>2</sup>Bolt holes straddle pump centerlines

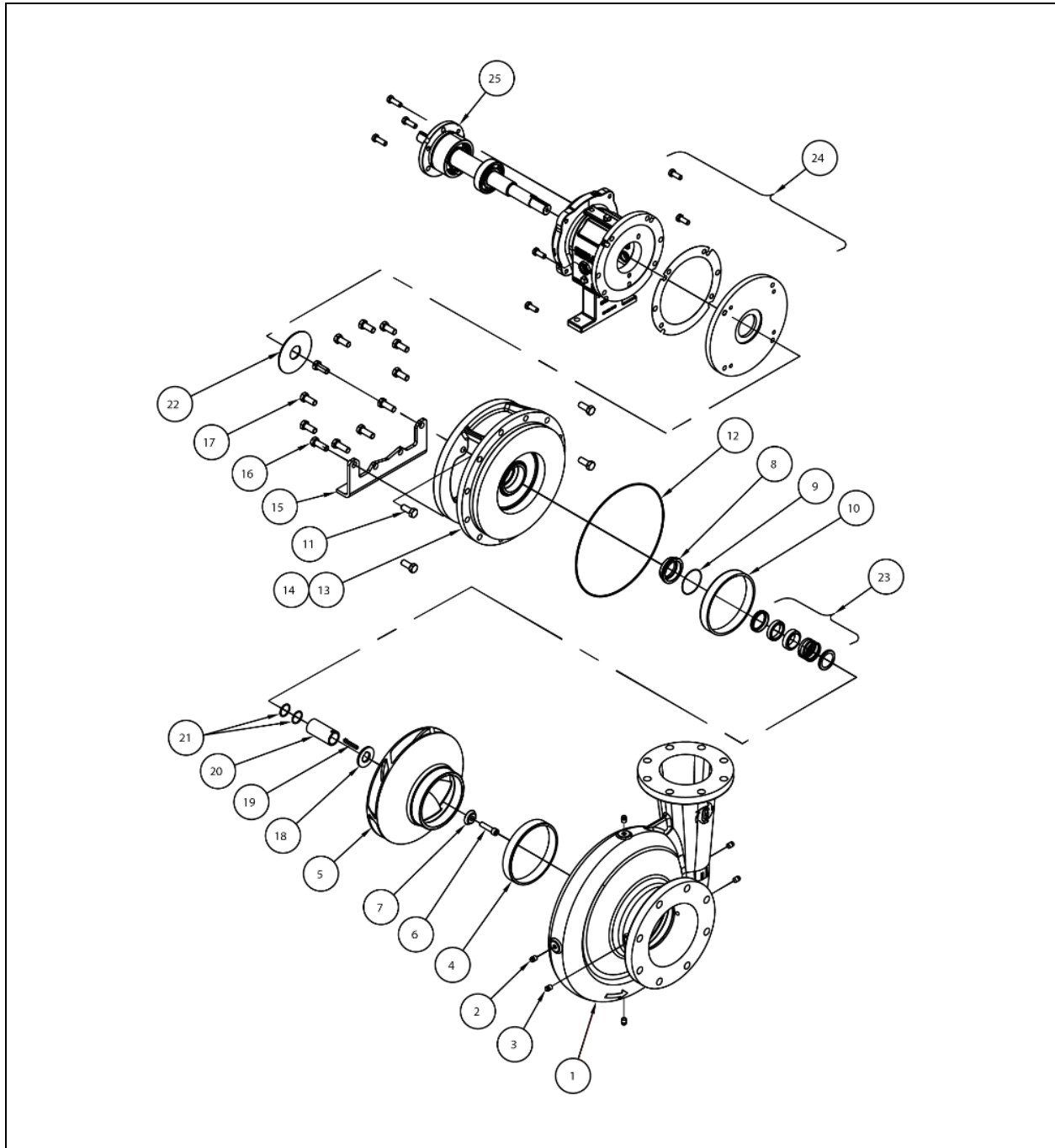
<sup>3</sup>Mounting bolt hold patterns vary with power frames used.

Pumps fitted with small power frames use 3 holes, while pumps fitted with medium or large power frames use 4 holes.

LG1844 REV. A

<b>850 Series Model: 850FM/4X3-10/4P</b>	<b>PEI<sub>CL</sub> 0.93</b>	<b>Impeller Diameter: 9.250 in.</b>
<b>850 Series Model: 850FM/4X3-10T/2P</b>	<b>PEI<sub>CL</sub> 0.96</b>	<b>Impeller Diameter: 8.700 in.</b>

EXPLODED VIEW



LG1819 REV. A

850 Series Model: 850FM/4X3-10/4P	PEI <sub>CL</sub> 0.93	Impeller Diameter: 9.250 in.
850 Series Model: 850FM/4X3-10T/2P	PEI <sub>CL</sub> 0.96	Impeller Diameter: 8.700 in.

# 850 SERIES – Model 4X3-10 & 4X3-10T



## PARTS LISTING

Compatible Frame Family			4x3-10	4x3-10T	Material of Construction
Item	Description	Qty.	PFS (POWER FRAME SMALL) P/N	PFM (POWER FRAME MEDIUM) P/N	
<b>Case Kit</b>					
1	Case Kit <sup>1,3</sup>	1	3078508K		Cast Iron, ASTM A48 Class 30
2	Pipe Plugs 1/4" MNPT	3	31005911		Steel
3	Pipe Plugs 1/2" MNPT	3	31006117		Steel
4	Case Wear Ring	1	8025100		Bismuth Tin Bronze (Lead Free)
<b>Impeller Kit</b>					
5	Impeller, Only <sup>4</sup>	1	5250200	5255400	Aluminum Bronze, ASTM B148
	Impeller, Kit <sup>4,5</sup>	1	5250200K	5255400K	Aluminum Bronze, ASTM B148
<b>Back Pull Out Kit</b>					
6	Impeller Bolt SHCS, 3/8-16 x 2.00 Lg	1	S14C375B00SH8A1		Stainless Steel
	Impeller Bolt SHCS, 1/2-13 x 1.25 Lg	1		S14C500A25SH8A1	Stainless Steel
7	Impeller Washer	1	14412209	14412308	300 Series Stainless Steel
8	Seal Adapter Kit <sup>7</sup>				
9	Seal Adapter O-Ring				
10	Bracket Wear Ring	1		8025100	Bismuth Tin Bronze (Lead Free)
11	Bracket/Power Frame Bolts HHCS, 3/8-16 x .75 Lg	4	S01C375750WA2A2		Steel – Grade 5
	Bracket/Power Frame Bolts HHCS, 5/8-11 x 1.50 Lg	4		14135008	Steel – Grade 5
12	Case/Bracket O-Ring -273 Buna	1	47027404		Buna-N
13	Bracket <sup>2,3</sup>	1	24342EFGK	2384800K	Cast Iron, ASTM A48 Class 30
14	Bracket Plug 1/2" MNPT	1		31006117	Steel
15	Foot, Bracket	1	2049613		Steel
16	Case/Bracket Bolts HHCS, 1/2-13 x 1.25 Lg	2	14133003		Steel – Grade 5
17	Case/Bracket Bolts HHCS, 1/2-13 x 1.00 Lg	6	14178701		Steel – Grade 5
18	Impeller Spacer	1		14034607	300 Series Stainless Steel
19	Impeller Key	1	14412407	22056007	Stainless Steel
20	Sleeve, Kit <sup>6</sup>	1	8222400K	8243600K	Bismuth Tin Bronze (Lead Free)
21	Sleeve O-Ring -022 Buna	2	47002209		Buna-N
	Sleeve O-Ring -126 Buna	2		47012604	Buna-N
22	Deflector	1	22020408	22020507	Neoprene
23	Mechanical Seal	1	See mechanical seal list for P/N		
24	Power Frame	1	PFS-850-K	PFMA-850-K	
25	Assembly, Rotating	1	24000-04-41A-RO	24001-04-41A-RO	

LG1853 REV. B

<sup>1</sup>Case Kit includes item 2, 3, 4, 12, and 17

<sup>2</sup>Bracket Kit includes item 11, 14 and 22

<sup>3</sup>Part is available with epoxy coating of interior or interior + exterior. Specified part number is for uncoated part, contact factory for part numbers.

<sup>4</sup>Part is available with epoxy coating. Append 'PC' to the indicated part number when referring to the coated part

<sup>5</sup>Impeller Kit includes item 6, 7, 10, 18 and 19

<sup>6</sup>Sleeve Kit includes item 21

<sup>7</sup>Seal Adapter Kit includes item 9

<b>850 Series Model: 850FM/4X3-10/4P</b>	<b>PEI<sub>CL</sub> 0.93</b>	<b>Impeller Diameter: 9.250 in.</b>
<b>850 Series Model: 850FM/4X3-10T/2P</b>	<b>PEI<sub>CL</sub> 0.96</b>	<b>Impeller Diameter: 8.700 in.</b>

