

850 SERIES – Model 4X3-12



Model 4X3-12 – Frame-Mounted Configuration

PERFORMANCE

850FM/4X3-12/4P

Max. Flow Rate: 239 gpm

Max. Head: 147 ft.

Max. Working Temperature: 250° F

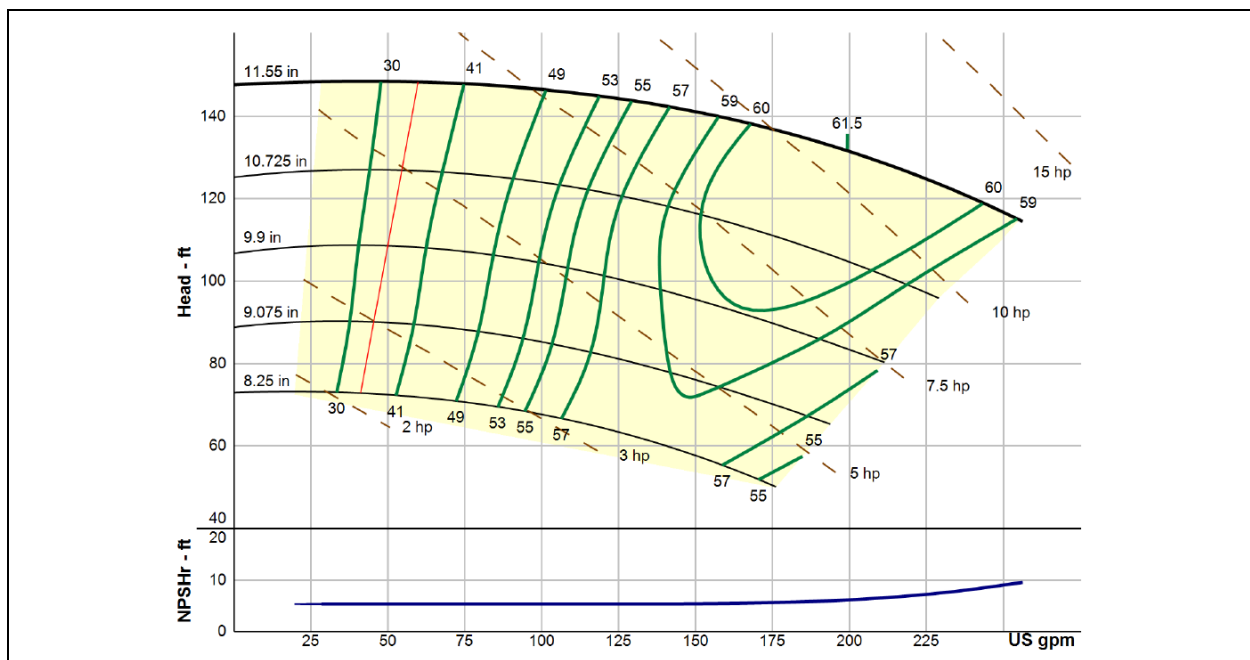
Max. Working Pressure: 175 psi

Max. Rated Speed: 1800 RPM

Max. Particle Size: 0.28" Diameter

Hydrotest Pressure: 263 psi

PERFORMANCE CURVE – 850FM/4X3-12/4P, 1750 RPM

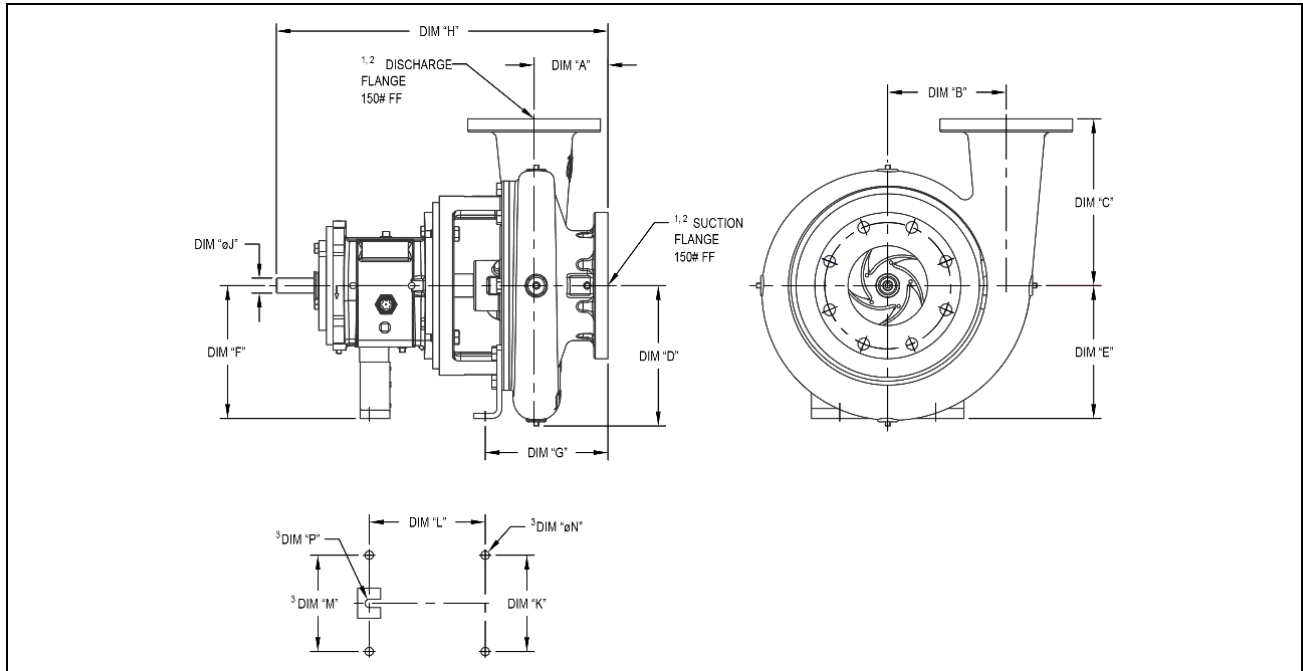


850 Series Model: 850FM/4X3-12/4P	PEI_{CL} 0.93	Impeller Diameter: 11.550 in.
--	------------------------------	--------------------------------------

850 SERIES – Model 4X3-12



DIMENSIONS (INCHES)



Motor Frame	Suction	Discharge	DIM "A"	DIM "B"	DIM "C"	DIM "D"	DIM "E"	DIM "F"	DIM "G"	DIM "H"	Dim "ØJ"	DIM "K"	DIM "L"	DIM "M"	Dim "ØN"	DIM "P"
PFS	4.00	3.00	3.56	6.75	8.88	7.93	8.25	5.25	6.72	16.31	0.88	7.25	3.34	N/A	0.63	R.313

¹150# Flange is dimensionally identical to a 125# Flange

²Bolt holes straddle pump centerlines

³Mounting bolt hold patterns vary with power frames used.

Pumps fitted with small power frames use 3 holes, while pumps fitted with medium or large power frames use 4 holes.

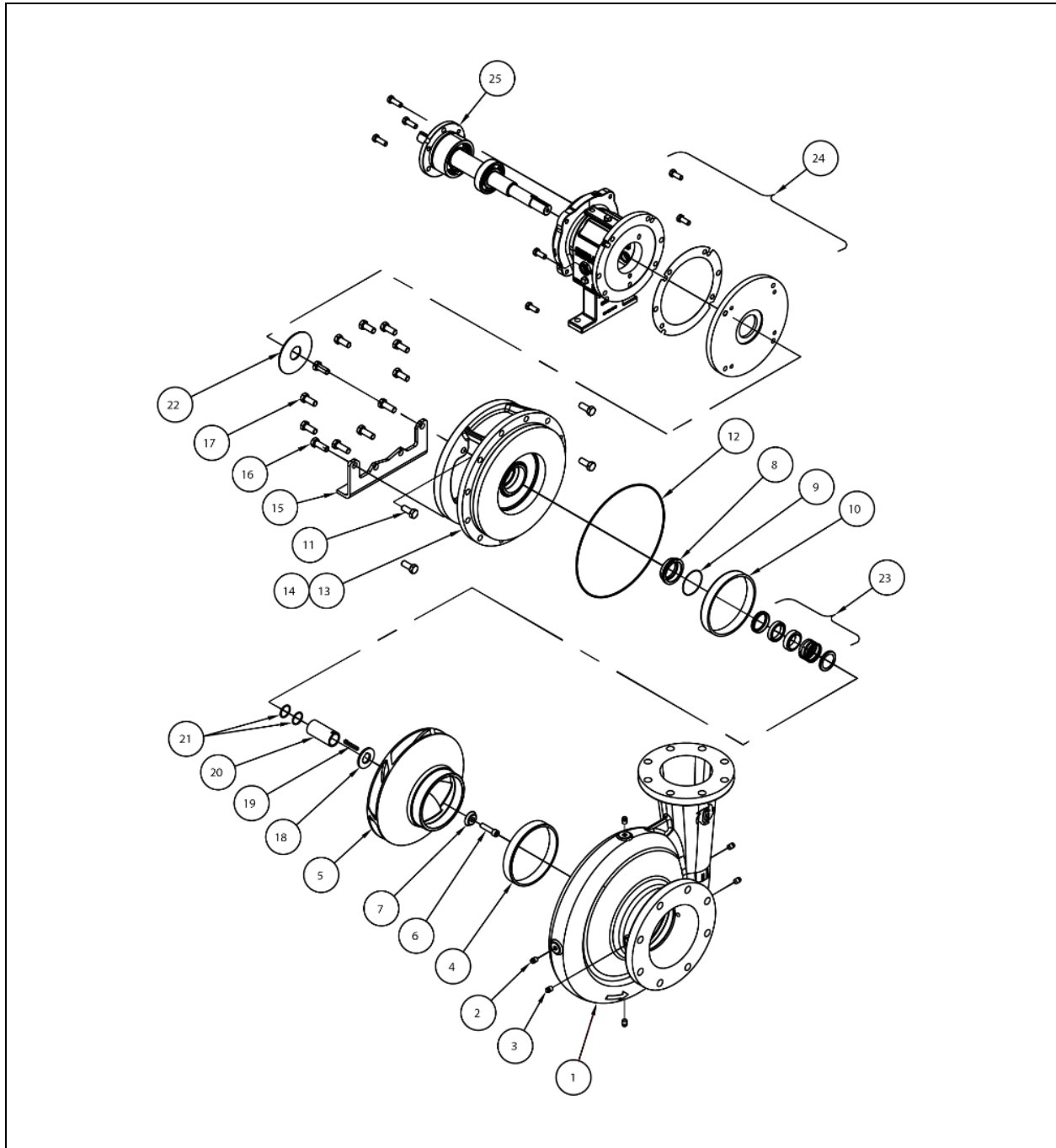
LG1843 REV. A

850 Series Model: 850FM/4X3-12/4P	PEI_{CL} 0.93	Impeller Diameter: 11.550 in.
--	------------------------------	--------------------------------------

850 SERIES – Model 4X3-12



EXPLODED VIEW



LG1819 REV. A

850 Series Model: 850FM/4X3-12/4P	PEI _{CL} 0.93	Impeller Diameter: 11.550 in.
-----------------------------------	------------------------	-------------------------------

850 SERIES – Model 4X3-12



PARTS LISTING

Compatible Frame Family			PFS (POWER FRAME SMALL)	Material of Construction
Item	Description	Qty.	P/N	
Case Kit				
1	Case Kit ^{1,3}	1	3200000K	Ductile Iron, ASTM A395
2	Pipe Plugs 1/4" MNPT	4	31005911	Steel
3	Plugs 1/2" MNPT			
4	Case Wear Ring	1	8020100	Bismuth Tin Bronze (Lead Free)
Impeller Kit				
5	Impeller, Only ⁴	1	5200200	Aluminum Bronze, ASTM B148
	Impeller, Kit ^{4,5}	1	5200200K	Aluminum Bronze, ASTM B148
Back Pull Out Kit				
6	Impeller Bolt SHCS, 3/8-16 x 1.75Lg	1	S14C375A75SH8A1	Stainless Steel
7	Impeller Washer	1	14412209	300 Series Stainless Steel
8	Seal Adapter Kit ⁷	1	7102001K	300 Series Stainless Steel
9	Seal Adapter O-Ring -036 Buna	1	036B	Buna-N
10	Bracket Wear Ring			
11	Bracket/Power Frame Bolts HHCS, 3/8-16 x 1.00 Lg	4	14129423	Steel – Grade 5
12	Case/Bracket O-Ring -278 Buna	1	47027800	Buna-N
13	Bracket ^{2,3}	1	2525800K	Ductile Iron, ASTM A395
14	Bracket Plug 1/2" MNPT			
15	Foot, Bracket	1	2049619	Steel
16	Case/Bracket Bolts HHCS, 1/2-13 x 1.50 Lg	2	14073316	Steel – Grade 5
17	Case/Bracket Bolts HHCS, 1/2-13 x 1.25 Lg	10	14133003	Steel – Grade 5
18	Impeller Spacer			
19	Impeller Key	1	14412407	Stainless Steel
20	Sleeve, Kit ⁶	1	8222400K	Bismuth Tin Bronze (Lead Free)
21	Sleeve O-Ring -022 Buna	1	47002209	Buna-N
22	Deflector	1	22020408	Neoprene
23	Mechanical Seal	1	See mechanical seal list for P/N	
24	Assembly, Power Frame	1	PFS-850-K	
25	Assembly, Rotating	1	24000-04-41A-RO	

LG1852 REV. B

¹Case Kit includes item 2, 3, 4, 12, and 17

²Bracket Kit includes item 11, 14 and 22

³Part is available with epoxy coating of interior or interior + exterior. Specified part number is for uncoated part, contact factory for part numbers.

⁴Part is available with epoxy coating. Append 'PC' to the indicated part number when referring to the coated part

⁵Impeller Kit includes item 6, 7, 10, 18 and 19

⁶Sleeve Kit includes item 21

⁷Seal Adapter Kit includes item 9

850 Series Model: 850FM/4X3-12/4P	PEI_{CL} 0.93	Impeller Diameter: 11.550 in.
--	------------------------------	--------------------------------------

GRS-17205-T-01

PAGE 4 OF 4



Copyright 2019 PSG®, a Dover® Company.

PSG® reserves the right to modify the information and illustrations contained in this document without prior notice. This is a non-contractual document.