



Model 5X4-10 & 5X4-10T – Frame-Mounted Configuration

PERFORMANCE

850FM/5X4-10/4P

Max. Flow Rate: 605 gpm
Max. Head: 83 ft.
Max. Working Temperature: 120° F
Max. Working Pressure: 100 psi

Max. Rated Speed: 1800 RPM
Max. Particle Size: 0.7" Diameter
Hydrotest Pressure: 150 psi

850FM/5X4-10T/2P

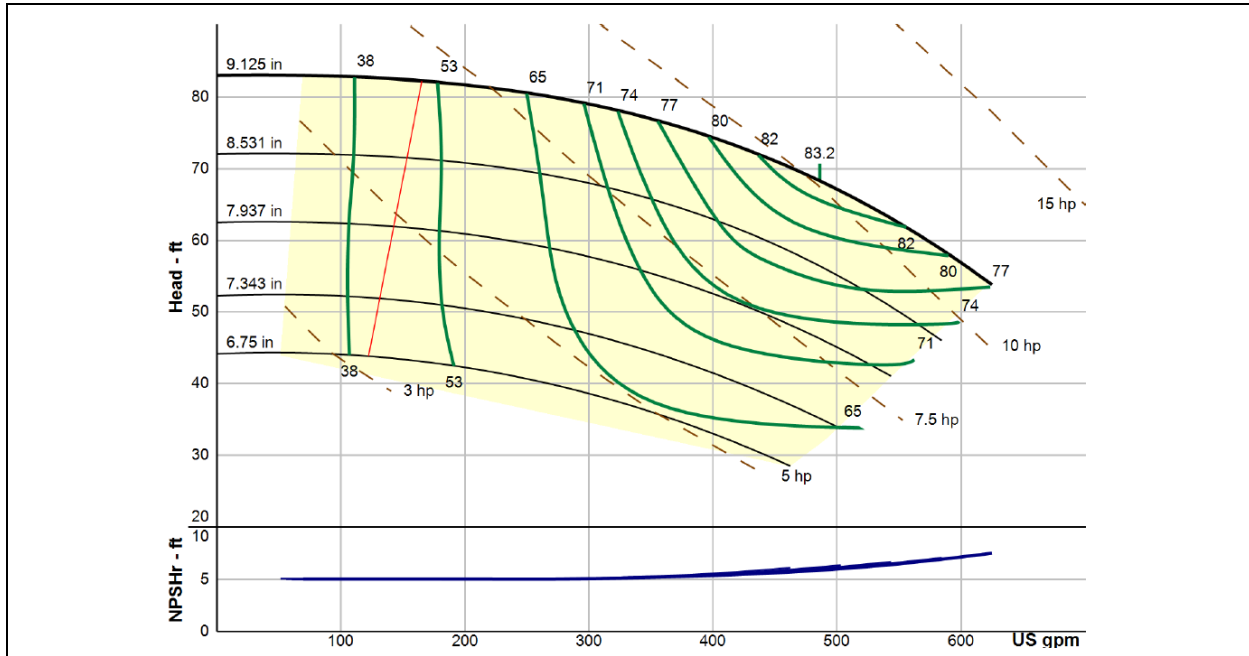
Max. Flow Rate: 1,135 gpm
Max. Head: 287 ft.
Max. Working Temperature: 120° F
Max. Working Pressure: 175 psi

Max. Rated Speed: 3600 RPM
Max. Particle Size: 0.7" Diameter
Hydrotest Pressure: 263 psi

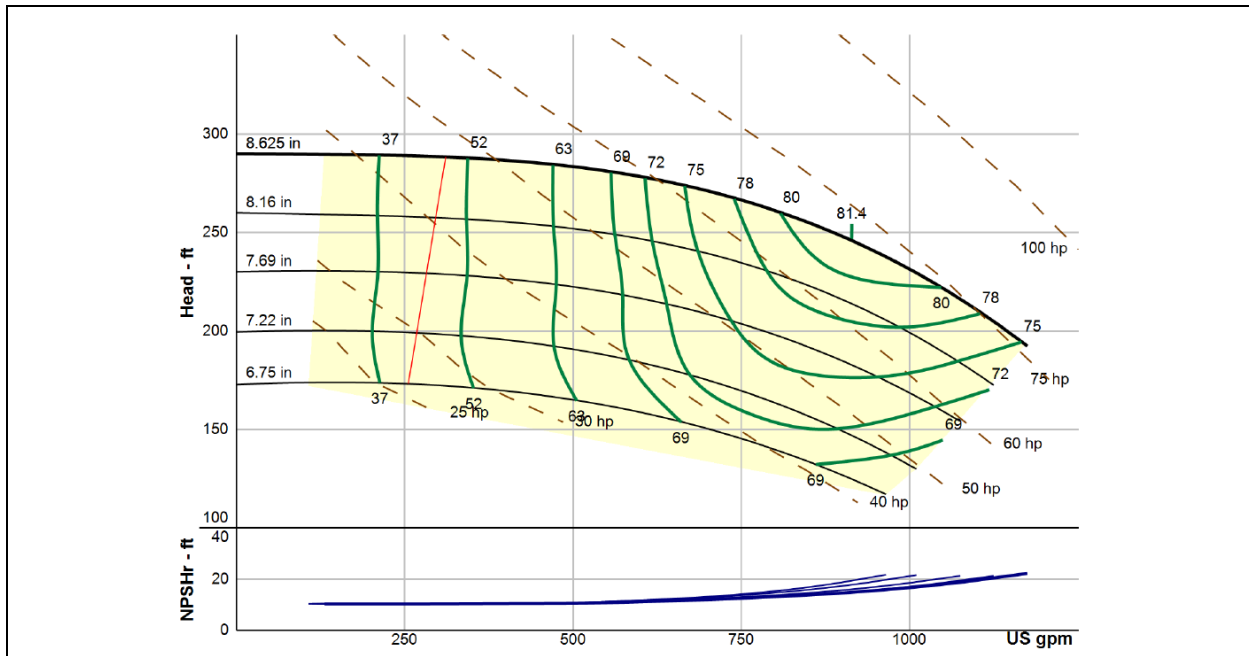
850 Series Model: 850FM/5X4-10/4P	PEI_{CL} 0.94	Impeller Diameter: 9.125 in.
850 Series Model: 850FM/5X4-10T/2P	PEI_{CL} 0.95	Impeller Diameter: 8.625 in.



PERFORMANCE CURVE – 850FM/5X4-10/4P, 1750 RPM



PERFORMANCE CURVE – 850FM/5X4-10T/2P, 3500 RPM

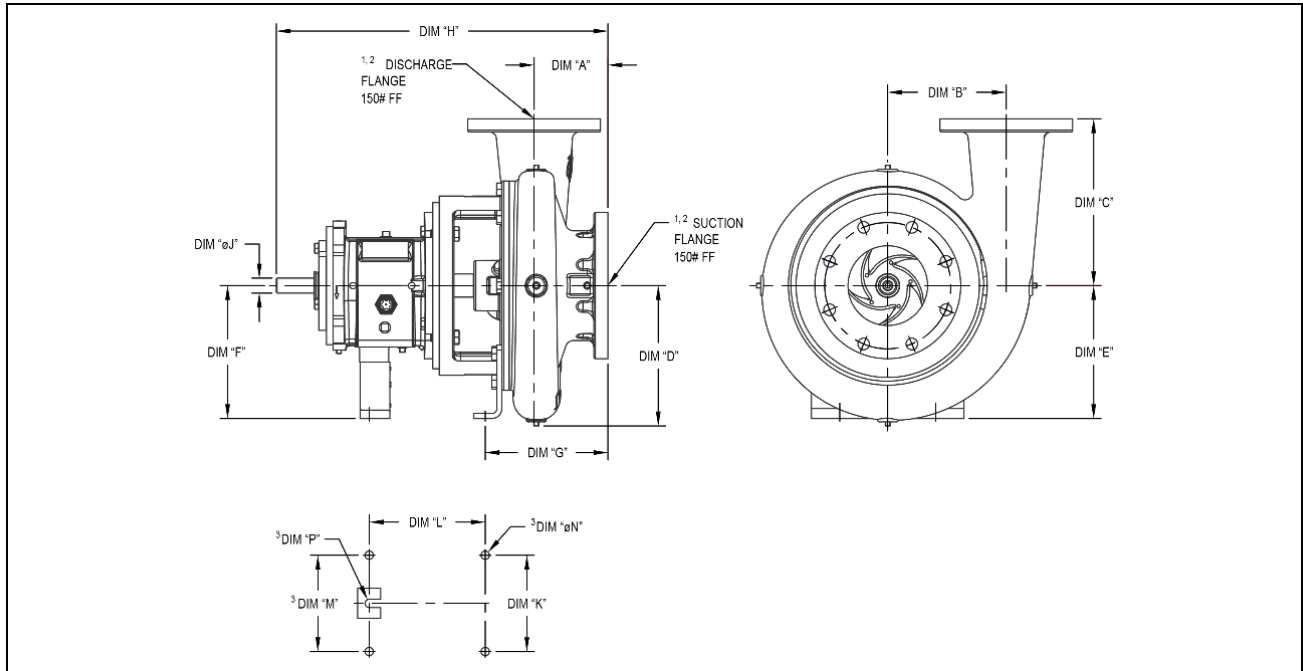


850 Series Model: 850FM/5X4-10/4P	PEI _{CL} 0.94	Impeller Diameter: 9.125 in.
850 Series Model: 850FM/5X4-10T/2P	PEI _{CL} 0.95	Impeller Diameter: 8.625 in.

850 SERIES – Model 5X4-10 & 5X4-10T



DIMENSIONS (INCHES)



Motor Frame	Suction	Discharge	DIM "A"	DIM "B"	DIM "C"	DIM "D"	DIM "E"	DIM "F"	DIM "G"	DIM "H"	Dim "ØJ"	DIM "K"	DIM "L"	DIM "M"	Dim "ØN"	DIM "P"
PFS	5.00	4.00	4.13	6.45	7.75	8.36	8.34	5.25	7.81	17.40	0.88	7.25	3.34	N/A	0.63	R.313
PFM	5.00	4.00	4.13	6.45	7.75	8.36	8.34	8.25	7.87	24.43	1.13	7.25	9.56	7.25	0.63	N/A

¹150# Flange is dimensionally identical to a 125# Flange

²Bolt holes straddle pump centerlines

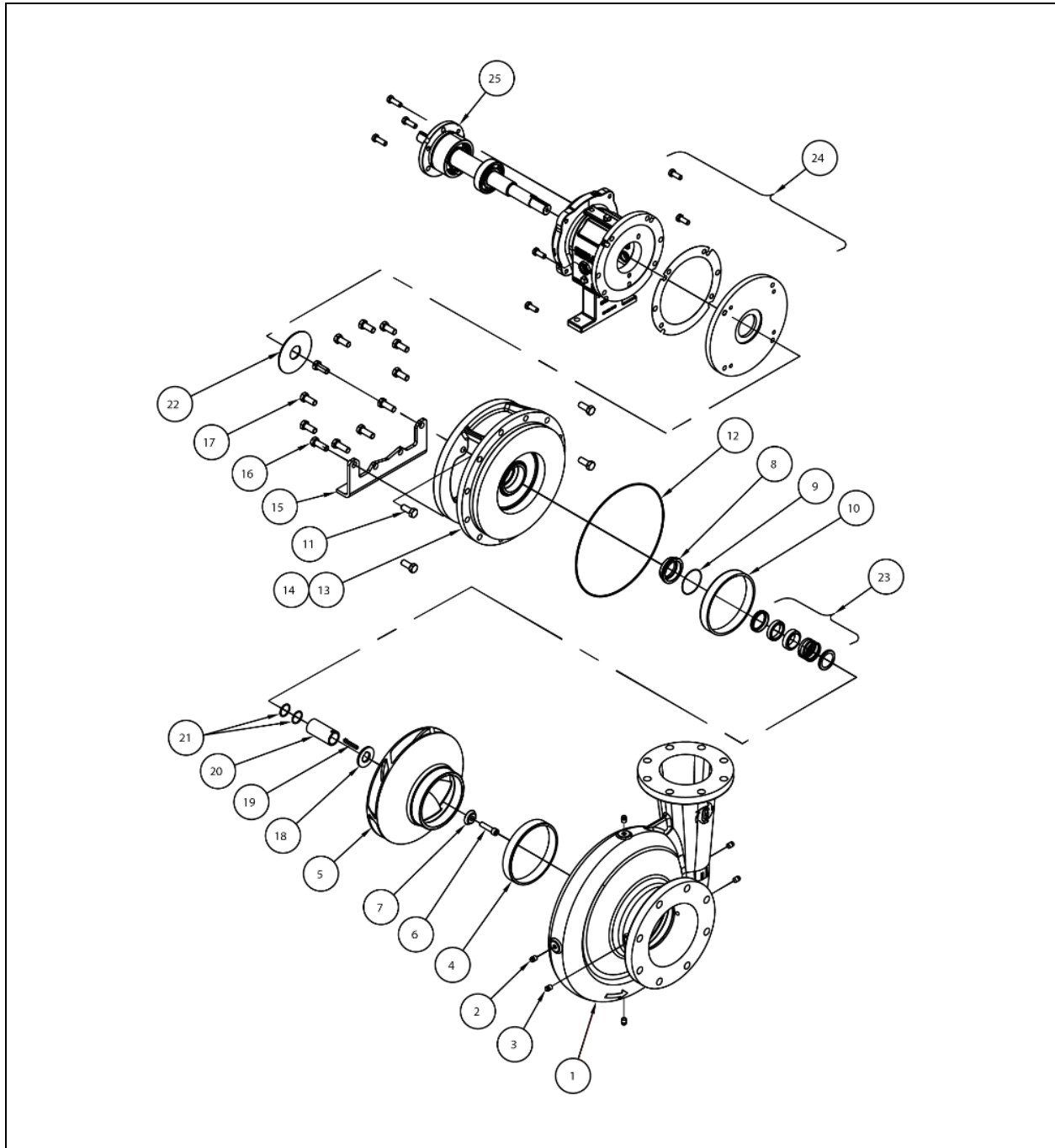
³Mounting bolt hold patterns vary with power frames used.

Pumps fitted with small power frames use 3 holes, while pumps fitted with medium or large power frames use 4 holes.

LG1846 REV. A

850 Series Model: 850FM/5X4-10/4P	PEI_{CL} 0.94	Impeller Diameter: 9.125 in.
850 Series Model: 850FM/5X4-10T/2P	PEI_{CL} 0.95	Impeller Diameter: 8.625 in.

EXPLODED VIEW



LG1819 REV. A

850 Series Model: 850FM/5X4-10/4P	PEI _{CL} 0.94	Impeller Diameter: 9.125 in.
850 Series Model: 850FM/5X4-10T/2P	PEI _{CL} 0.95	Impeller Diameter: 8.625 in.

850 SERIES – Model 5X4-10 & 5X4-10T



PARTS LISTING

Compatible Frame Family			5x4-10		5x4-10T	Material of Construction	
Item	Description	Qty.	PFS (POWER FRAME SMALL) P/N	PFM (POWER FRAME MEDIUM) P/N	PFM (POWER FRAME MEDIUM) P/N		
Case Kit							
1	Case Kit ^{1,3}	1	3400000K			Cast Iron, ASTM A48 Class 30	
2	Pipe Plugs 1/4" MNPT	5	31005911			Steel	
3	Pipe Plugs 1/2" MNPT	1	31006117			Steel	
4	Case Wear Ring	1	8040100			Bismuth Tin Bronze (Lead Free)	
Impeller Kit							
5	Impeller, Only ⁴	1	5400200	5400400	5405400	Aluminum Bronze, ASTM B148	
	Impeller, Kit ^{4,5}	1	5400200K	5400400K	5405400K	Aluminum Bronze, ASTM B148	
Back Pull Out Kit							
6	Impeller Bolt SHCS, 3/8-16 x 2.25 Lg	1	S14C375B25SH8A1			Stainless Steel	
	Impeller Bolt SHCS, 1/2-13 x 1.50 Lg	1		S14C375B00SH8A1		Stainless Steel	
7	Impeller Washer	1	14412209	14417604		300 Series Stainless Steel	
8	Seal Adapter Kit ⁷						
9	Seal Adapter O-Ring						
10	Bracket Wear Ring	1			8025100	Bismuth Tin Bronze (Lead Free)	
11	Bracket/Power Frame Bolts HHCS, 3/8-16 x .75 Lg	4	S01C375750WA2A2			Steel – Grade 5	
	Bracket/Power Frame Bolts HHCS, 5/8-11 x 1.50 Lg	4		14135008		Steel – Grade 5	
12	Case/Bracket O-Ring -273 Buna	1	47027404			Buna-N	
13	Bracket ^{2,3}	1	24342EFGK	20384800K		Cast Iron, ASTM A48 Class 30	
14	Bracket Plug 1/2" MNPT	1		31006117		Steel	
15	Foot, Bracket	1	2049613				
16	Case/Bracket Bolts HHCS, 1/2-13 x 1.25 Lg	2	14133003			Steel – Grade 5	
17	Case/Bracket Bolts HHCS, 1/2-13 x 1.00 Lg	6	14178701			Steel – Grade 5	
18	Impeller Spacer	1		14034607		300 Series Stainless Steel	
19	Impeller Key	1	14412407	22056007		Stainless Steel	
20	Sleeve, Kit ⁶	1	8222400K	8243600K		Bismuth Tin Bronze (Lead Free)	
21	Sleeve O-Ring -022 Buna	2	47002209			Buna-N	
	Sleeve O-Ring -126 Buna	2		47012604		Buna-N	
22	Deflector	1	22020408	22020507		Neoprene	
23	Mechanical Seal	1	See mechanical seal list for P/N				
24	Power Frame	1	PFS-850-K	PFMA-850-K			
25	Assembly, Rotating	1	24000-04-41A-RO	24001-04-41A-RO			

LG1855 REV. B

¹Case Kit includes item 2, 3, 4, 12, and 17

²Bracket Kit includes item 11, 14 and 22

³Part is available with epoxy coating of interior or interior + exterior. Specified part number is for uncoated part, contact factory for part numbers.

⁴Part is available with epoxy coating. Append 'PC' to the indicated part number when referring to the coated part

⁵Impeller Kit includes item 6, 7, 10, 18 and 19

⁶Sleeve Kit includes item 21

⁷Seal Adapter Kit includes item 9

850 Series Model: 850FM/5X4-10/4P	PEI_{CL} 0.94	Impeller Diameter: 9.125 in.
850 Series Model: 850FM/5X4-10T/2P	PEI_{CL} 0.95	Impeller Diameter: 8.625 in.

