

# 850 SERIES – Model 6X5-14T



## Model 6X5-14T – Frame-Mounted Configuration

### PERFORMANCE

850FM/6X5-14T/4P

Max. Flow Rate: 1,078 gpm

Max. Head: 192 ft.

Max. Working Temperature: 120° F

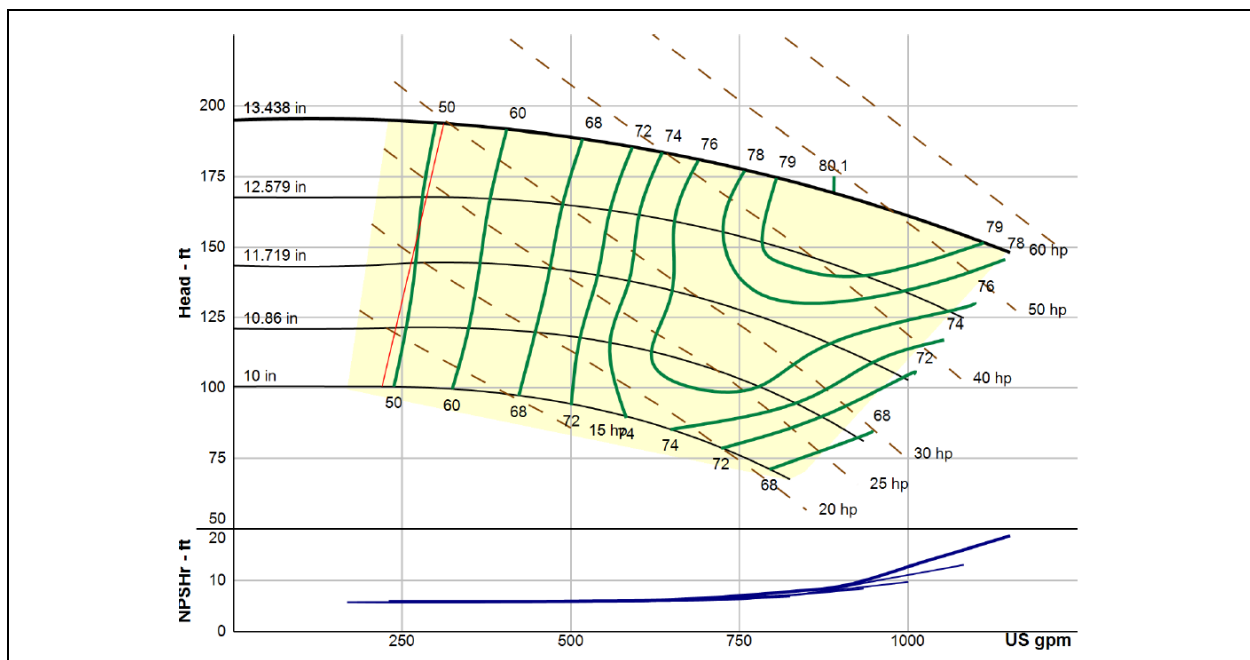
Max. Working Pressure: 150 psi

Max. Rated Speed: 1800 RPM

Max. Particle Size: 0.9" Diameter

Hydrotest Pressure: 225 psi

### PERFORMANCE CURVE – 850FM/6X5-14T/4P, 1750 RPM



850 Series Model: 850FM/6X5-14T/4P

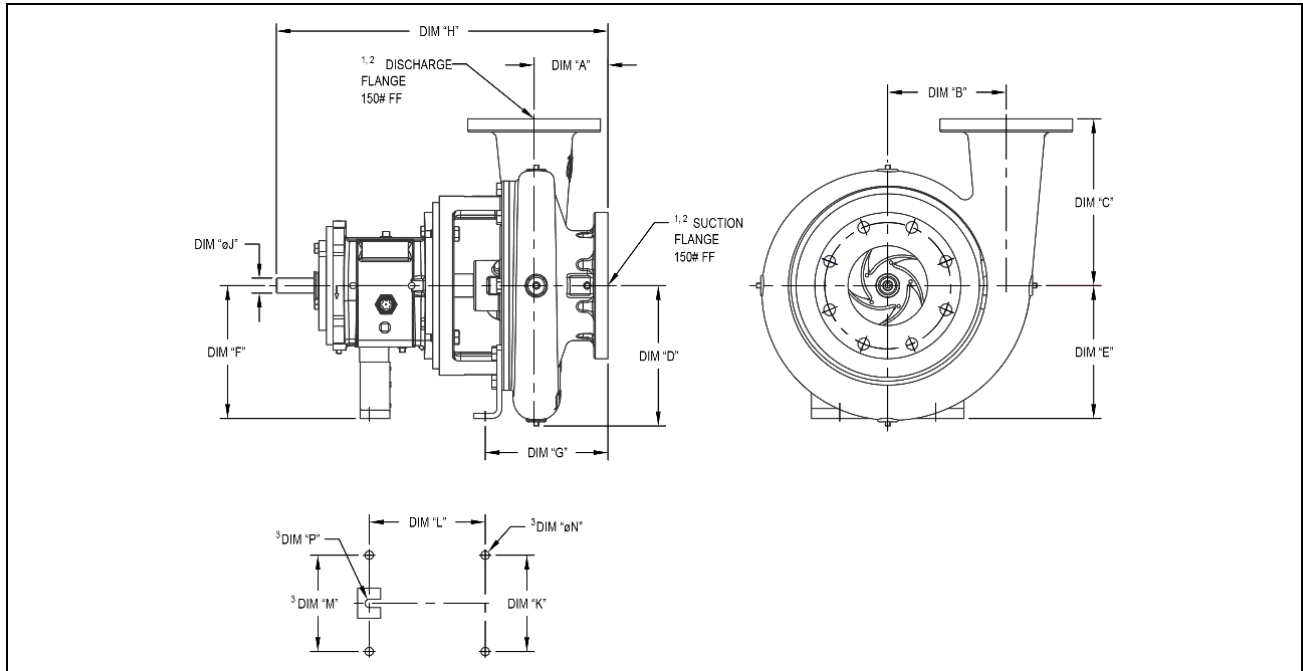
PEI<sub>CL</sub> 0.96

Impeller Diameter: 13.438 in.

# 850 SERIES – Model 6X5-14T



## DIMENSIONS (INCHES)



Motor Frame	Suction	Discharge	DIM "A"	DIM "B"	DIM "C"	DIM "D"	DIM "E"	DIM "F"	DIM "G"	DIM "H"	Dim "ØJ"	DIM "K"	DIM "L"	DIM "M"	Dim "ØN"	DIM "P"
PFM	6.00	5.00	5.56	8.94	12.56	10.56	10.00	10.00	9.25	25.00	1.13	7.25	8.75	7.25	0.63	N/A

<sup>1</sup>150# Flange is dimensionally identical to a 125# Flange

<sup>2</sup>Bolt holes straddle pump centerlines

<sup>3</sup>Mounting bolt hold patterns vary with power frames used.

Pumps fitted with small power frames use 3 holes, while pumps fitted with medium or large power frames use 4 holes.

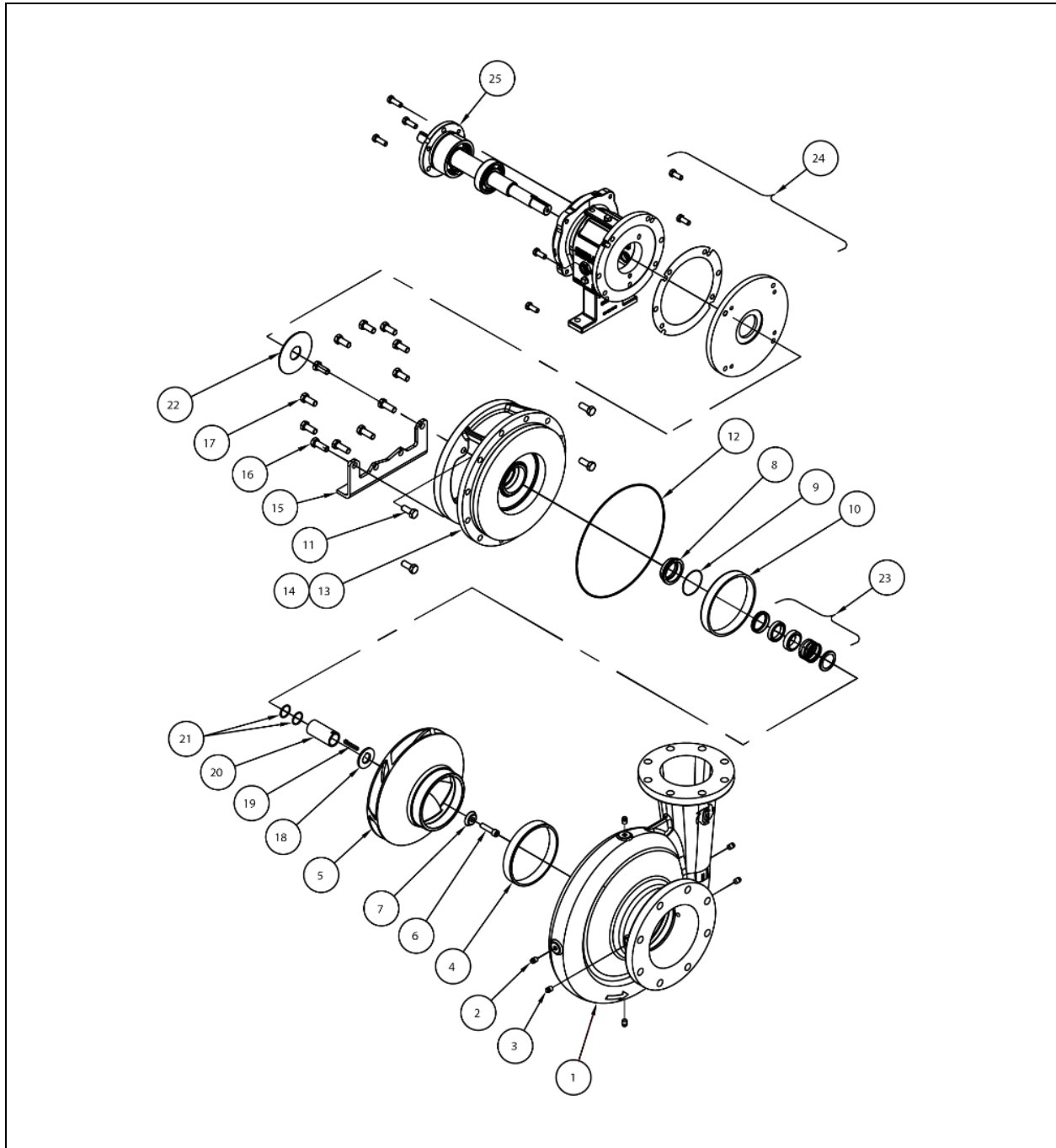
LG1847 REV. A

<b>850 Series Model: 850FM/6X5-14T/4P</b>	<b>PEI<sub>CL</sub> 0.96</b>	<b>Impeller Diameter: 13.438 in.</b>
---	------------------------------	--------------------------------------

# 850 SERIES – Model 6X5-14T



## EXPLODED VIEW



LG1819 REV. A

<b>850 Series Model: 850FM/6X5-14T/4P</b>	<b>PEI<sub>CL</sub> 0.96</b>	<b>Impeller Diameter: 13.438 in.</b>
---	------------------------------	--------------------------------------

# 850 SERIES – Model 6X5-14T



## PARTS LISTING

Compatible Frame Family			PFM (POWER FRAME MEDIUM)	Material of Construction
Item	Description	Qty.	P/N	
<b>Case Kit</b>				
1	Case Kit <sup>1,3</sup>	1	3500000K	Ductile Iron, ASTM A395
2	Pipe Plugs 1/4" MNPT	6	31005911	Steel
3	Pipe Plugs 1/2" MNPT			
4	Case Wear Ring	1	8050100	Bismuth Tin Bronze (Lead Free)
<b>Impeller Kit</b>				
5	Impeller, Only <sup>4</sup>	1	5505400	Aluminum Bronze, ASTM B148
	Impeller, Kit <sup>4,5</sup>	1	5505400K	Aluminum Bronze, ASTM B148
<b>Back Pull Out Kit</b>				
6	Impeller Bolt SHCS, 1/2-13 x 1.50Lg	1	S14C500A50SH8A1	Stainless Steel
7	Impeller Washer	1	14417604	300 Series Stainless Steel
8	Seal Adapter Kit <sup>7</sup>			
9	Seal Adapter O-Ring			
10	Bracket Wear Ring	1	8050200	Bismuth Tin Bronze (Lead Free)
11	Bracket/Power Frame Bolts HHCS, 5/8-11 x 1.75 Lg	4	3861-72	Steel – Grade 5
12	Case/Bracket O-Ring -279 Buna	1	47027909	Buna-N
13	Bracket <sup>2,3</sup>	1	2886600K	Cast Iron, ASTM A395
14	Bracket Plug 1/2" MNPT	1	31006117	Steel
15	Foot, Bracket	1	2049612	Steel
16	Case/Bracket Bolts HHCS, 5/8-11 x 1.50 Lg	3	3861-36	Steel – Grade 5
17	Case/Bracket Bolts HHCS, 5/8-11 x 1.25 Lg	5	3861-167	Steel – Grade 5
18	Impeller Spacer			
19	Impeller Key	1	22056007	Stainless Steel
20	Sleeve, Kit <sup>6</sup>	1	8243600K	Bismuth Tin Bronze (Lead Free)
21	Sleeve O-Ring -126 Buna	2	47012604	Buna-N
22	Deflector	1	22020507	Neoprene
23	Mechanical Seal	1	See mechanical seal list for P/N	
24	Assembly, Power Frame	1	PFMB-850-K	
25	Assembly, Rotating	1	24001-04-41A-RO	

LG1856 REV. B

<sup>1</sup>Case Kit includes item 2, 3, 4, 12, and 17

<sup>2</sup>Bracket Kit includes item 11, 14 and 22

<sup>3</sup>Part is available with epoxy coating of interior or interior + exterior. Specified part number is for uncoated part, contact factory for part numbers.

<sup>4</sup>Part is available with epoxy coating. Append 'PC' to the indicated part number when referring to the coated part

<sup>5</sup>Impeller Kit includes item 6, 7, 10, 18 and 19

<sup>6</sup>Sleeve Kit includes item 21

<sup>7</sup>Seal Adapter Kit includes item 9

<b>850 Series Model: 850FM/6X5-14T/4P</b>	<b>PEI<sub>CL</sub> 0.96</b>	<b>Impeller Diameter: 13.438 in.</b>
---	------------------------------	--------------------------------------

GRS-17208-T-01

PAGE 4 OF 4



Copyright 2019 PSG®, a Dover® Company.

PSG® reserves the right to modify the information and illustrations contained in this document without prior notice. This is a non-contractual document.