

850 SERIES – Model 8X6-10



Model 8X6-10 – Frame-Mounted Configuration

PERFORMANCE

850FM/8X6-10/4P

Max. Flow Rate: 1,244 gpm

Max. Head: 82 ft.

Max. Working Temperature: 120° F

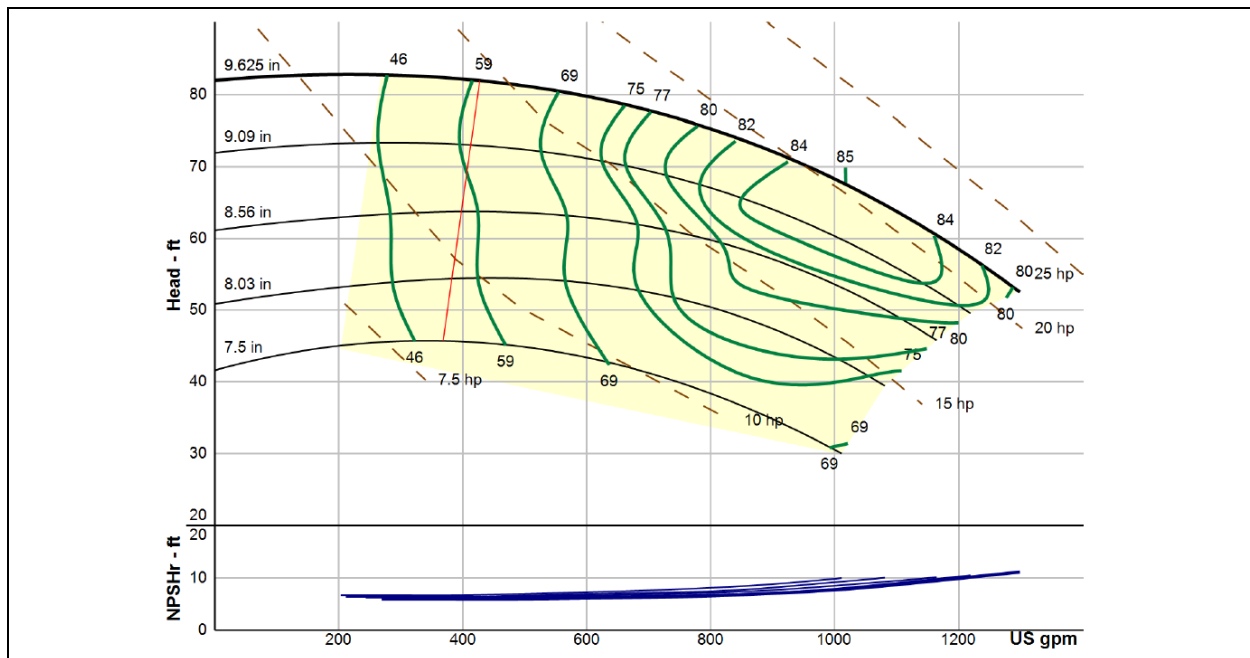
Max. Working Pressure: 100 psi

Max. Rated Speed: 1800 RPM

Max. Particle Size: 1.02" Diameter

Hydrotest Pressure: 150 psi

PERFORMANCE CURVE – 850FM/8X6-10/4P, 1760 RPM

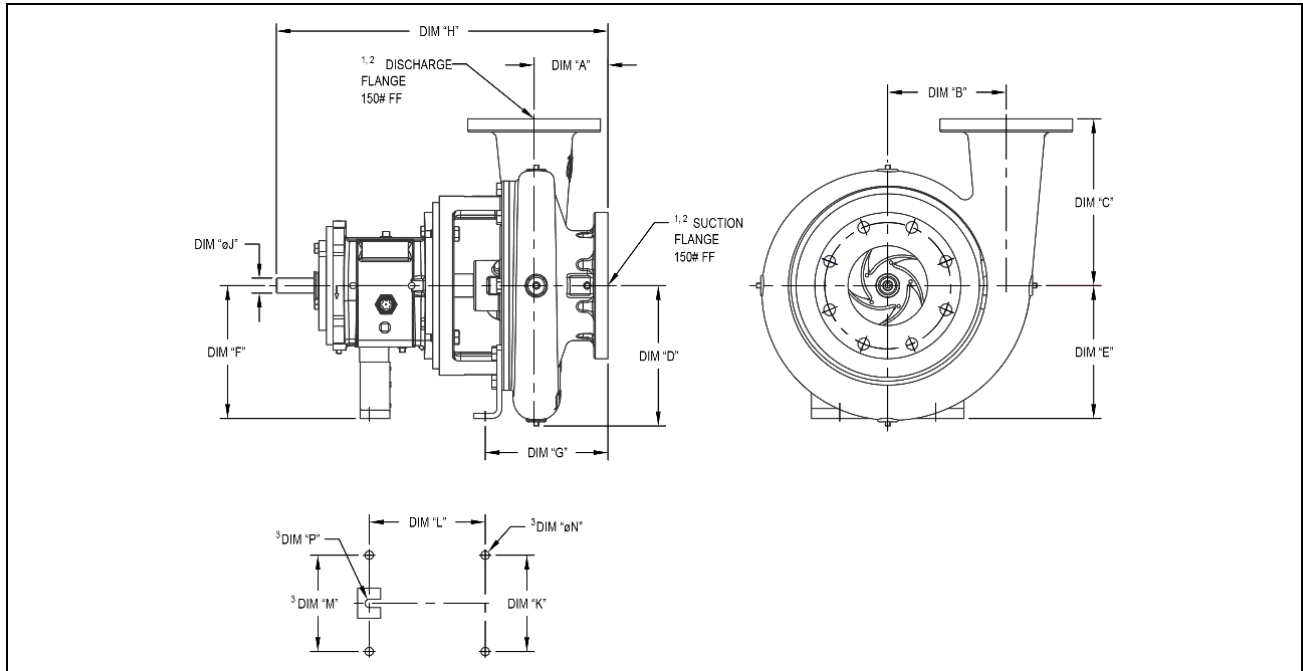


850 Series Model: 850FM/8X6-10/4P	PEI _{CL} 0.95	Impeller Diameter: 9.625 in.
-----------------------------------	------------------------	------------------------------

850 SERIES – Model 8X6-10



DIMENSIONS (INCHES)



Motor Frame	Suction	Discharge	DIM "A"	DIM "B"	DIM "C"	DIM "D"	DIM "E"	DIM "F"	DIM "G"	DIM "H"	Dim "ØJ"	DIM "K"	DIM "L"	DIM "M"	Dim "ØN"	DIM "P"
PFM	8.00	6.00	6.69	7.25	9.00	9.44	10.00	10.00	11.12	27.37	1.13	7.25	9.25	7.25	0.63	N/A

¹150# Flange is dimensionally identical to a 125# Flange

²Bolt holes straddle pump centerlines

³Mounting bolt hold patterns vary with power frames used.

Pumps fitted with small power frames use 3 holes, while pumps fitted with medium or large power frames use 4 holes.

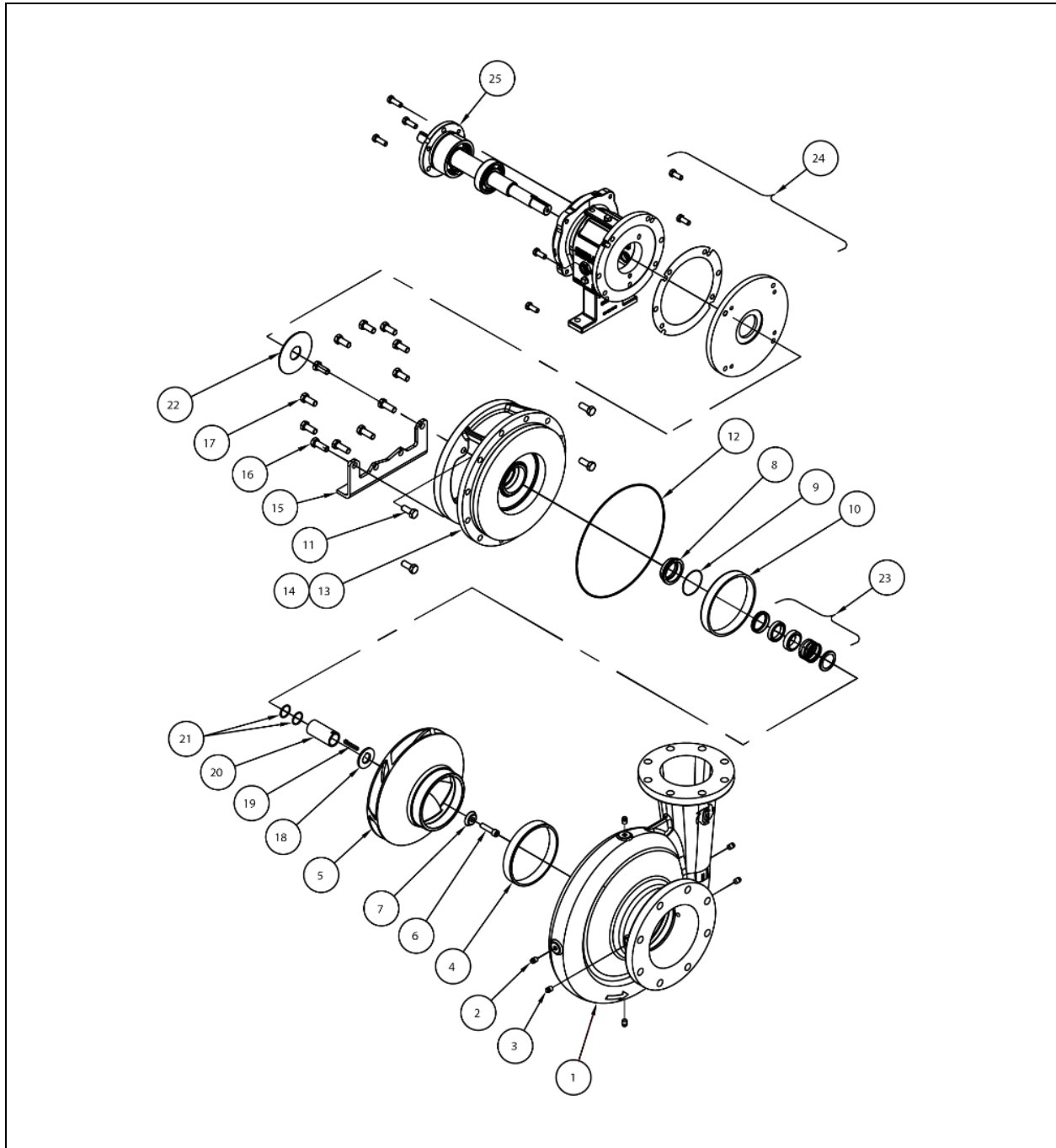
LG1849 REV. A

850 Series Model: 850FM/8X6-10/4P	PEI_{CL} 0.95	Impeller Diameter: 9.625 in.
--	------------------------------	-------------------------------------

850 SERIES – Model 8X6-10



EXPLODED VIEW



LG1819 REV. A

850 Series Model: 850FM/8X6-10/4P	PEI _{CL} 0.95	Impeller Diameter: 9.625 in.
-----------------------------------	------------------------	------------------------------

850 SERIES – Model 8X6-10



PARTS LISTING

Compatible Frame Family			PFM (POWER FRAME MEDIUM)	Material of Construction
Item	Description	Qty.	P/N	
Case Kit				
1	Case Kit ^{1,3}	1	3079407K	Cast Iron, ASTM A48 Class 30
2	Pipe Plugs 1/4" MNPT	6	31005911	Steel
3	Pipe Plugs 1/2" MNPT			
4	Case Wear Ring	1	8060100	Bismuth Tin Bronze (Lead Free)
Impeller Kit				
5	Impeller, Only ⁴	1	5600400	Aluminum Bronze, ASTM B148
	Impeller, Kit ^{4,5}	1	5600400K	Aluminum Bronze, ASTM B148
Back Pull Out Kit				
6	Impeller Bolt SHCS, 1/2-13 x 2.00Lg	1	S14C500B00SH8A1	Stainless Steel
7	Impeller Washer	1	14412308	300 Series Stainless Steel
8	Seal Adapter Kit ⁷			
9	Seal Adapter O-Ring			
10	Bracket Wear Ring			
11	Bracket/Power Frame Bolts HHCS, 5/8-11 x 1.50 Lg	4	14135008	Steel – Grade 5
12	Case/Bracket O-Ring -273 Buna	1	47027404	Buna-N
13	Bracket ^{2,3}	1	2384800K	Cast Iron, ASTM A48 Class 30
14	Bracket Plug 1/2" MNPT	1	31006117	Steel
15	Foot, Bracket	1	2049615	Steel
16	Case/Bracket Bolts HHCS, 1/2-13 x 1.50 Lg	3	14073316	Steel – Grade 5
17	Case/Bracket Bolts HHCS, 1/2-13 x 1.00 Lg	5	14178701	Steel – Grade 5
18	Impeller Spacer	1	14034607	300 Series Stainless Steel
19	Impeller Key	1	22056007	Stainless Steel
20	Sleeve, Kit ⁶	1	8243600K	Bismuth Tin Bronze (Lead Free)
21	Sleeve O-Ring -126 Buna	2	47012604	Buna-N
22	Deflector	1	22020507	Neoprene
23	Mechanical Seal	1	See mechanical seal list for P/N	
24	Assembly, Power Frame	1	PFMB-850-K	
25	Assembly, Rotating	1	24001-04-41A-RO	

LG1858 REV. B

¹Case Kit includes item 2, 3, 4, 12, and 17

²Bracket Kit includes item 11, 14 and 22

³Part is available with epoxy coating of interior or interior + exterior. Specified part number is for uncoated part, contact factory for part numbers.

⁴Part is available with epoxy coating. Append 'PC' to the indicated part number when referring to the coated part

⁵Impeller Kit includes item 6, 7, 10, 18 and 19

⁶Sleeve Kit includes item 21

⁷Seal Adapter Kit includes item 9

850 Series Model: 850FM/8X6-10/4P	PEI_{CL} 0.95	Impeller Diameter: 9.625 in.
--	------------------------------	-------------------------------------

GRS-17209-T-01

PAGE 4 OF 4



Copyright 2019 PSG®, a Dover® Company.

PSG® reserves the right to modify the information and illustrations contained in this document without prior notice. This is a non-contractual document.