

# 850 SERIES – Model 8X6-14T



## Model 8X6-14T – Frame-Mounted Configuration

### PERFORMANCE

850FM/8X6-14T/4P

Max. Flow Rate: 1,978 gpm

Max. Head: 201 ft.

Max. Working Temperature: 250° F

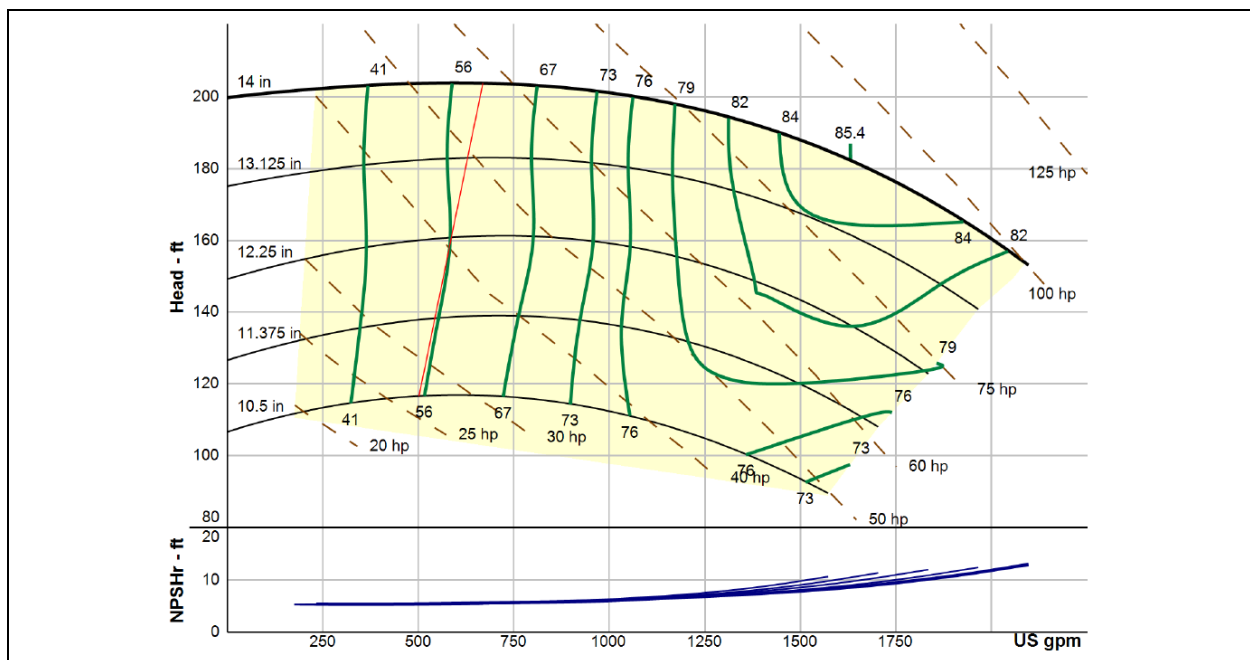
Max. Working Pressure: 175 psi

Max. Rated Speed: 1800 RPM

Max. Particle Size: 1.0" Diameter

Hydrotest Pressure: 263 psi

### PERFORMANCE CURVE – 850FM/8X6-14T/4P, 1750 RPM

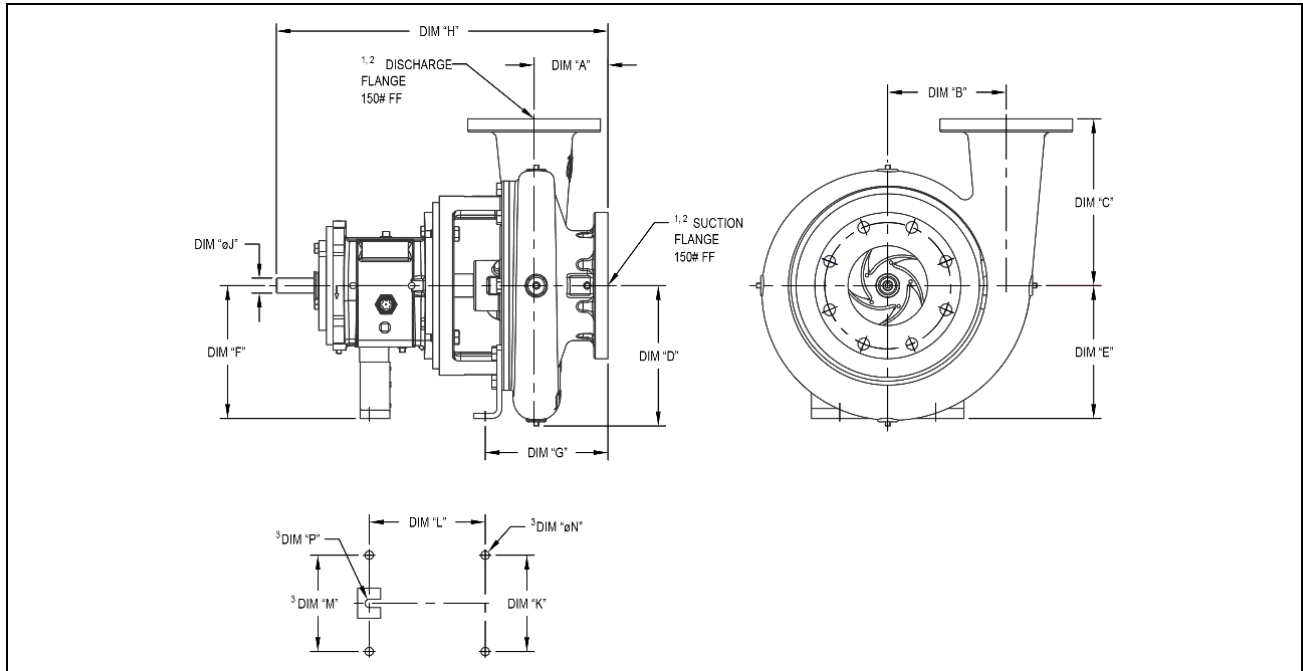


850 Series Model: 850FM/8X6-14T/4P	PEI <sub>CL</sub> 0.95	Impeller Diameter: 14.000 in.
------------------------------------	------------------------	-------------------------------

# 850 SERIES – Model 8X6-14T



## DIMENSIONS (INCHES)



Motor Frame	Suction	Discharge	DIM "A"	DIM "B"	DIM "C"	DIM "D"	DIM "E"	DIM "F"	DIM "G"	DIM "H"	Dim "ØJ"	DIM "K"	DIM "L"	DIM "M"	Dim "ØN"	DIM "P"
PFM	8.00	6.00	8.00	10.00	14.25	12.37	10.00	10.00	12.31	27.82	1.13	7.25	8.51	7.25	0.63	N/A
PFL	8.00	6.00	8.00	10.00	14.25	12.37	10.00	10.00	12.31	27.82	1.88	7.25	8.51	7.25	0.63	N/A

<sup>1</sup>150# Flange is dimensionally identical to a 125# Flange

<sup>2</sup>Bolt holes straddle pump centerlines

<sup>3</sup>Mounting bolt hold patterns vary with power frames used.

Pumps fitted with small power frames use 3 holes, while pumps fitted with medium or large power frames use 4 holes.

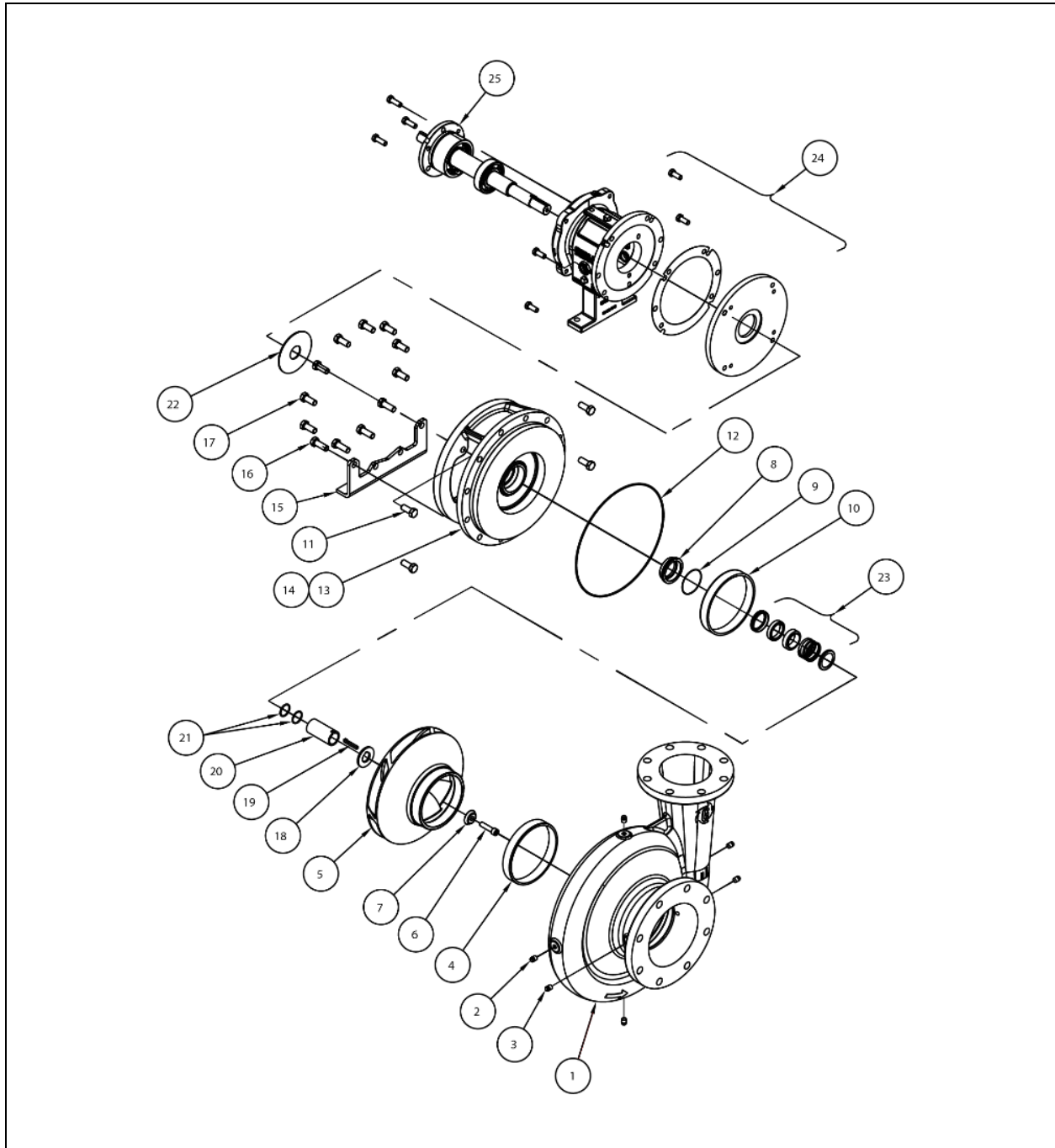
LG1848 REV. A

<b>850 Series Model: 850FM/8X6-14T/4P</b>	<b>PEI<sub>CL</sub> 0.95</b>	<b>Impeller Diameter: 14.000 in.</b>
---	------------------------------	--------------------------------------

# 850 SERIES – Model 8X6-14T



## EXPLODED VIEW



LG1819 REV. A

850 Series Model: 850FM/8X6-14T/4P

PEI<sub>CL</sub> 0.95

Impeller Diameter: 14.000 in.

# 850 SERIES – Model 8X6-14T



## PARTS LISTING

Compatible Frame Family			PFM (POWER FRAME MEDIUM)	PFL (POWER FRAME LARGE)	Material of Construction
Item	Description	Qty.	P/N	P/N	
<b>Case Kit</b>					
1	Case Kit <sup>1,3</sup>	1	3550000K		Ductile Iron, ASTM A395
2	Pipe Plugs 1/4" MNPT	6	31005911		Steel
3	Pipe Plugs 1/2" MNPT				
4	Case Wear Ring	1	8055100		Bismuth Tin Bronze (Lead Free)
<b>Impeller Kit</b>					
5	Impeller, Only <sup>4</sup>	1	5555400	5555600	Aluminum Bronze, ASTM B148
	Impeller, Kit <sup>4,5</sup>	1	5555400K	5555600K	Aluminum Bronze, ASTM B148
<b>Back Pull Out Kit</b>					
6	Impeller Bolt SHCS, 1/2-13 x 2.00 Lg	1	S14C500B00SH8A1		Stainless Steel
7	Impeller Washer	1	14417604	14417610	300 Series Stainless Steel
8	Seal Adapter Kit <sup>7</sup>	1	7102002K		300 Series Stainless Steel
9	Seal Adapter O-Ring -041 Buna	1	041B		Buna-N
10	Bracket Wear Ring	1	8055100		Aluminum Bronze, ASTM B148
11	Bracket/Power Frame Bolts HHCS, 5/8-11 x 1.50 Lg	4	14135008		Steel – Grade 5
12	Case/Bracket O-Ring -280 Buna	1	280B		Buna-N
13	Bracket <sup>2,3</sup>	1	2997800K		Ductile Iron, ASTM A395
14	Bracket Plug 1/2" MNPT (Not Shown)				
15	Foot, Bracket	1	2049620		Steel
16	Case/Bracket Bolts HHCS, 5/8-11 x 1.75 Lg	4	3861-72		Steel – Grade 5
17	Case/Bracket Bolts HHCS, 5/8-11 x 1.50 Lg	8	14135008		Steel – Grade 5
18	Impeller Spacer	1	14034607	14040307	300 Series Stainless Steel
19	Impeller Key	1	22056007	14060801	Stainless Steel
20	Sleeve, Kit <sup>6</sup>	1	8243600K	8263600K	Bismuth Tin Bronze (Lead Free)
21	Sleeve O-Ring -126 Buna	2	47012604		Buna-N
	Sleeve O-Ring -132 Buna	1		47013206	Buna-N
22	Deflector	1	22020507	22032205	Neoprene
23	Mechanical Seal	1	See mechanical seal list for P/N		
24	Power Frame	1	PFMB-850-K	PFLB-850-K	
25	Assembly, Rotating	1	24001-04-41A-RO	24002-04-41A-RO	

LG1857 REV. B

<sup>1</sup>Case Kit includes item 2, 3, 4, 12, and 17

<sup>2</sup>Bracket Kit includes item 11, 14 and 22

<sup>3</sup>Part is available with epoxy coating of interior or interior + exterior. Specified part number is for uncoated part, contact factory for part numbers.

<sup>4</sup>Part is available with epoxy coating. Append 'PC' to the indicated part number when referring to the coated part

<sup>5</sup>Impeller Kit includes item 6, 7, 10, 18 and 19

<sup>6</sup>Sleeve Kit includes item 21

<sup>7</sup>Seal Adapter Kit includes item 9

**850 Series Model: 850FM/8X6-14T/4P**

**PEI<sub>CL</sub> 0.95**

**Impeller Diameter: 14.000 in.**

GRS-17210-T-01

PAGE 4 OF 4



Copyright 2019 PSG®, a Dover® Company.

PSG® reserves the right to modify the information and illustrations contained in this document without prior notice. This is a non-contractual document.