

850 SERIES – Model 8X8-13



Model 8X8-13 – Frame-Mounted Configuration

PERFORMANCE

850FM/8X8-13/4P

Max. Flow Rate: 3,850 gpm

Max. Head: 120 ft.

Max. Working Temperature: 120° F

Max. Working Pressure: 60 psi

Max. Rated Speed: 1800 RPM

Max. Particle Size: 0.9" Diameter

Hydrotest Pressure: 90 psi

850FM/8X8-13/6P

Max. Flow Rate: 2,365 gpm

Max. Head: 50 ft.

Max. Working Temperature: 120° F

Max. Working Pressure: 60 psi

Max. Rated Speed: 1200 RPM

Max. Particle Size: 0.9" Diameter

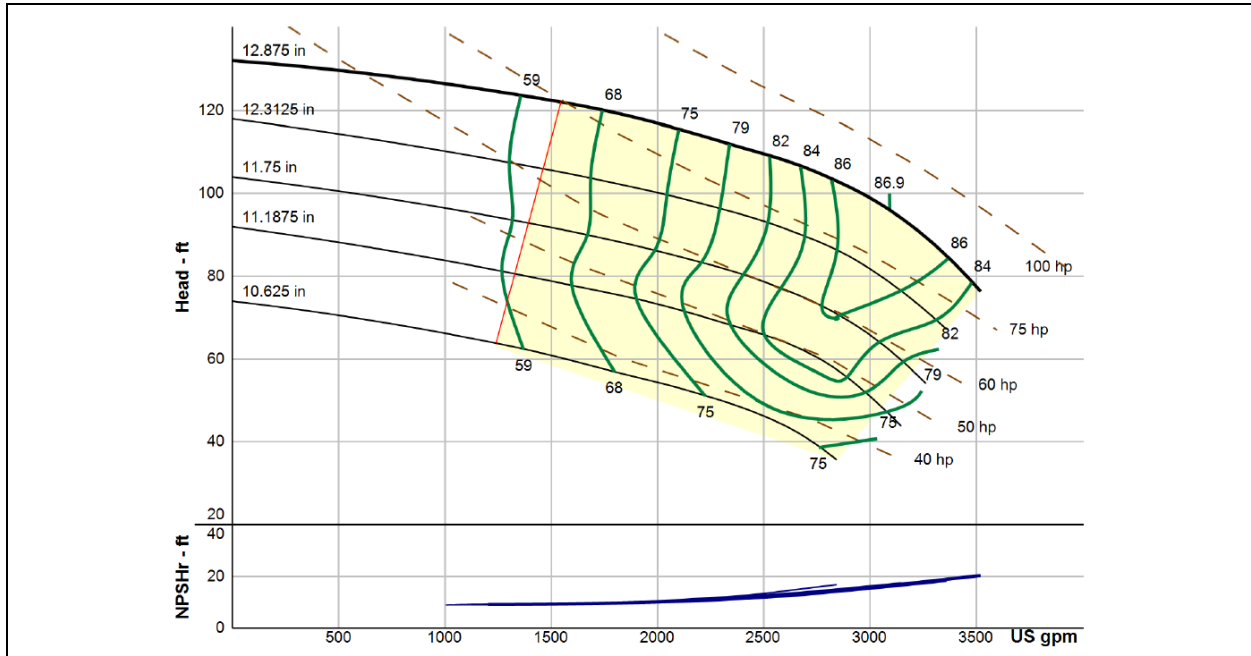
Hydrotest Pressure: 90 psi

850 Series Model: 850FM/8X8-13/4P	PEI_{CL} 0.97	Impeller Diameter: 12.875 in.
850 Series Model: 850FM/8X8-13/6P	PEI_{CL} N/A	Impeller Diameter: 12.875 in.

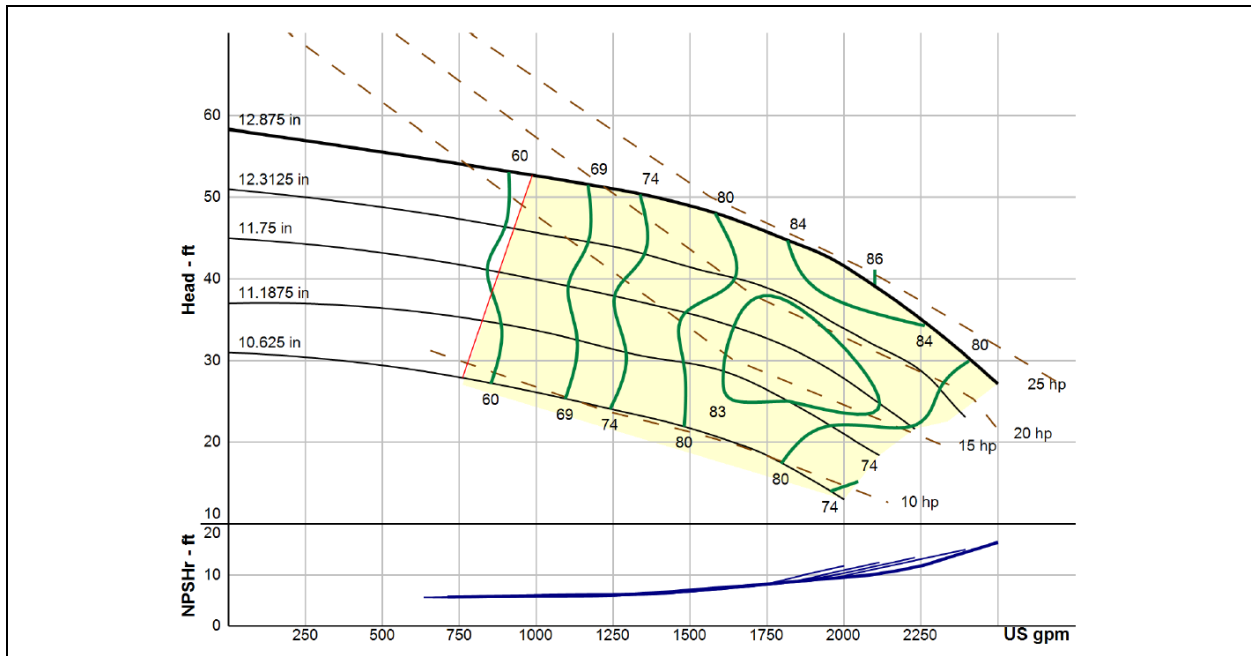
850 SERIES – Model 8X8-13



PERFORMANCE CURVE – 850FM/8X8-13/4P, 1750 RPM



PERFORMANCE CURVE – 850FM/8X8-13/6P, 1150 RPM

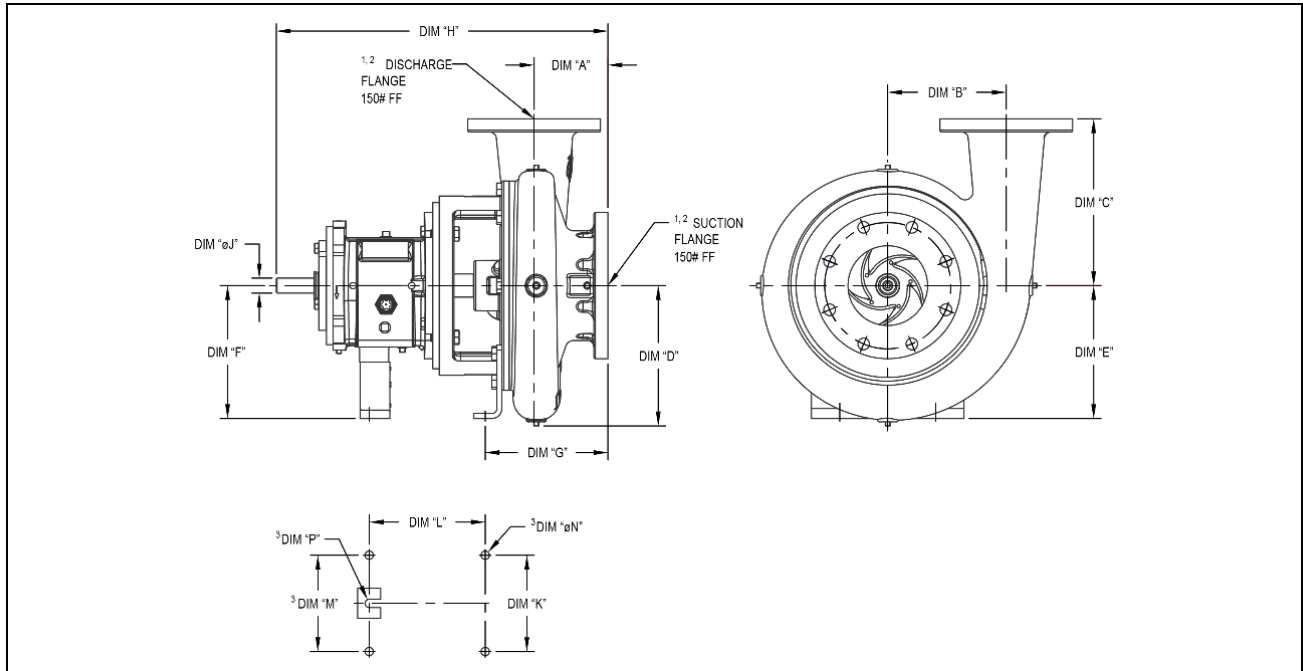


850 Series Model: 850FM/8X8-13/4P	PEI _{CL} 0.97	Impeller Diameter: 12.875 in.
850 Series Model: 850FM/8X8-13/6P	PEI _{CL} N/A	Impeller Diameter: 12.875 in.

850 SERIES – Model 8X8-13



DIMENSIONS (INCHES)



Motor Frame	Suction	Discharge	DIM "A"	DIM "B"	DIM "C"	DIM "D"	DIM "E"	DIM "F"	DIM "G"	DIM "H"	Dim "ØJ"	DIM "K"	DIM "L"	DIM "M"	Dim "ØN"	DIM "P"
PFM	8.00	8.00	5.11	10.88	12.31	14.81	10.00	10.00	10.36	24.01	1.13	7.25	6.65	7.25	0.63	N/A
PFL	8.00	8.00	5.11	10.88	12.31	14.81	10.00	10.00	10.36	24.01	1.88	7.25	6.65	7.25	0.63	N/A

¹150# Flange is dimensionally identical to a 125# Flange

²Bolt holes straddle pump centerlines

³Mounting bolt hold patterns vary with power frames used.

Pumps fitted with small power frames use 3 holes, while pumps fitted with medium or large power frames use 4 holes.

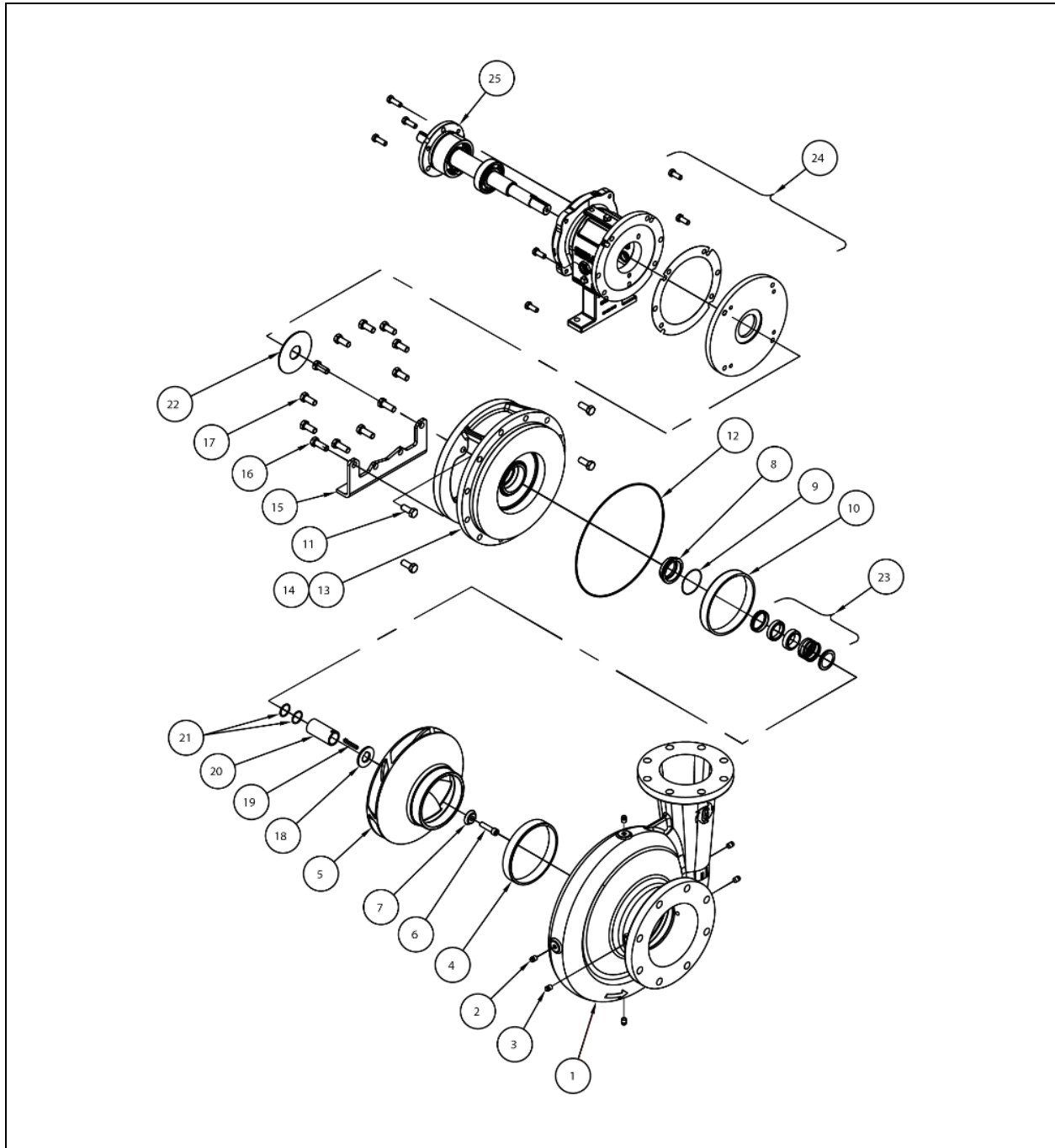
LG1850 REV. A

850 Series Model: 850FM/8X8-13/4P	PEI_{CL} 0.97	Impeller Diameter: 12.875 in.
850 Series Model: 850FM/8X8-13/6P	PEI_{CL} N/A	Impeller Diameter: 12.875 in.

850 SERIES – Model 8X8-13



EXPLODED VIEW



LG1819 REV. A

850 Series Model: 850FM/8X8-13/4P	PEI _{CL} 0.97	Impeller Diameter: 12.875 in.
850 Series Model: 850FM/8X8-13/6P	PEI _{CL} N/A	Impeller Diameter: 12.875 in.

850 SERIES – Model 8X8-13



PARTS LISTING

Compatible Frame Family			PFM (POWER FRAME MEDIUM)	PFL (POWER FRAME LARGE)	Material of Construction
Item	Description	Qty.	P/N	P/N	
Case Kit					
1	Case Kit ^{1,3}	1	3078300K		Cast Iron, ASTM A48 Class 30
2	Case Plugs 1/4" MNPT	5	31005911		Steel
3	Case Plugs 1/2" MNPT				
4	Case Wear Ring	1	8065100		Bismuth Tin Bronze (Lead Free)
Impeller Kit					
5	Impeller, Only ⁴	1	5650400	5650600	Aluminum Bronze, ASTM B148
	Impeller, Kit ^{4,5}	1	5650400K	5650600K	Aluminum Bronze, ASTM B148
Back Pull Out Kit					
6	Impeller Bolt SHCS, 1/2-13 x 1.50 Lg	1	S14C500A50SH8A1		Stainless Steel
7	Impeller Washer	1	14417610		300 Series Stainless Steel
8	Seal Adapter Kit ⁷	1	7102002K		300 Series Stainless Steel
9	Seal Adapter O-Ring -041 Buna	1	041B		Buna-N
10	Bracket Wear Ring				
11	Bracket/Power Frame Bolts HHCS, 5/8-11 x 1.25 Lg	4	S01C625A25WA2A4		Steel – Grade 5
12	Case/Bracket O-Ring -279 Buna	1	47027909		Buna-N
13	Bracket ^{2,3}	1	2790000K		Cast Iron, ASTM A48 Class 30
14	Bracket Plug 1/2" MNPT (Not Shown)				
15	Foot, Bracket	1	2049610		Steel
16	Case/Bracket Bolts HHCS, 1/2-13 x 2.50 Lg	4	BL50-13X250GD8		Steel – Grade 5
17	Case/Bracket Bolts HHCS, 1/2-13 x 1.25 Lg	8	14133003		Steel – Grade 5
18	Impeller Spacer	1	14034607	14040307	300 Series Stainless Steel
19	Impeller Key	1	22056007	14060801	Stainless Steel
20	Sleeve, Kit ⁶	1	8243600K	8263600K	Bismuth Tin Bronze (Lead Free)
21	Sleeve O-Ring -126 Buna	2	47012604		Buna-N
	Sleeve O-Ring -132 Buna	1		47013206	Buna-N
22	Deflector	1	22020507	22032205	Neoprene
23	Mechanical Seal	1	See Mechanical Seal List for P/N		
24	Power Frame	1	PFMB-850-K	PFLB-850-K	
25	Assembly, Rotating	1	24001-04-41A-RO	24002-04-41A-RO	

LG1859 REV. B

¹Case Kit includes item 2, 3, 4, 12, and 17

²Bracket Kit includes item 11, 14 and 22

³Part is available with epoxy coating of interior or interior + exterior. Specified part number is for uncoated part, contact factory for part numbers.

⁴Part is available with epoxy coating. Append 'PC' to the indicated part number when referring to the coated part

⁵Impeller Kit includes item 6, 7, 10, 18 and 19

⁶Sleeve Kit includes item 21

⁷Seal Adapter Kit includes item 9

850 Series Model: 850FM/8X8-13/4P	PEI_{CL} 0.97	Impeller Diameter: 12.875 in.
850 Series Model: 850FM/8X8-13/6P	PEI_{CL} N/A	Impeller Diameter: 12.875 in.

GRS-17211-T-01

PAGE 5 OF 5



Copyright 2019 PSG®, a Dover® Company.

PSG® reserves the right to modify the information and illustrations contained in this document without prior notice. This is a non-contractual document.