



INSTRUCTIONS 1005-H00 e

Section	1005
Effective	September 2018
Replaces	November 2010

Original instructions

PRESSURE CONTROL VALVES

n° 0,5 - 1 - 1,5 - 2

INSTALLATION

ADJUSTMENT

PARTS LIST

WARRANTY :

Pressure control valves are covered 24 months by warranty within the limits mentioned in our General Sales Conditions. In case of a use other than that mentioned in the Instructions manual, and without preliminary agreement of MOUVEX, warranty will be canceled.



Z.I. La Plaine des Isles - F 89000 AUXERRE - FRANCE
Tel. : +33 (0)3.86.49.86.30 - Fax : +33 (0)3.86.49.87.17
contact@mouvex.com - www.mouvex.com

Your distributor :

VALVE ASSEMBLY

The pressure control valve must be mounted in the circuit, at the appropriate point (*), making sure that the arrow stamped on the body points in the direction of fuel flow.

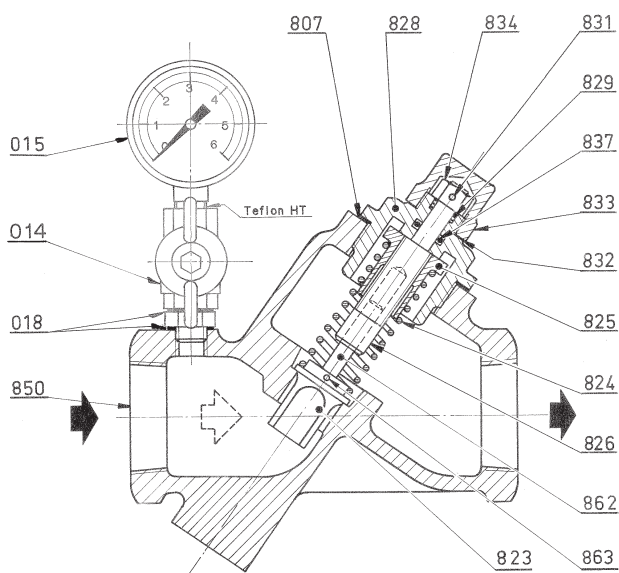
INSTALLATION ADJUSTMENT

1 - With the burner(s) shut off and the pump running adjust the pressure control valve so as to obtain the recommended feed pressure for the proper operation of the burner(s).

In the case of installation with several burners, the above adjustment must be based on the burner where pressure is lowest, usually on the last burner.

The pressure at the only burner or at the last burner will usually come close enough to the valve's pressure-gauge reading to enable the valve to be adjusted.

To adjust the pressure control valve, unscrew the cap **833**, then tighten the nut **834** or the screw **826** to obtain a pressure rise or unscrew this nut (or this screw) to obtain a decrease.



At the end of the adjustment, do not omit to tighten up the cap.

2 - Operate the burner(s).

If the pressure drops slightly, adjust the pressure control valve set-screw to compensate for the pressure decrease noted.

The installation is then adjusted and ready for service.

Under or over pressure

If the pressure fails to build up to the desired level, even with the pressure control valve spring tightened or unscrewed to the maximum, this may be due to an incorrect type of spring.

Select a spring type of appropriate rating by means of the opposite table :

Pressure rise (bar)	Spring n°						Output m³/h
	0	1	2	3	4	5	
Valve n° 0,5	-	0,5 to 0,9	0,9 to 1,8	1,8 to 3	2,2 to 3,7	3,2 to 4,5	0 to 0,3
Valve n° 1	0,35 to 0,75	0,75 to 1,6	1,6 to 3,1	2,4 to 4,6	4 to 6	-	0 to 1,5
Valve n° 1,5	-	1,2 to 1,8	1,8 to 2,8	2,5 to 3,9	3,6 to 5,6	-	0,5 to 2,5
Valve n° 2	-	0,5 to 1	1 to 2,2	1,2 to 3,2	1,7 to 4,7	2,5 to 6,5	0 to 15

Pressure control valves are supplied with :

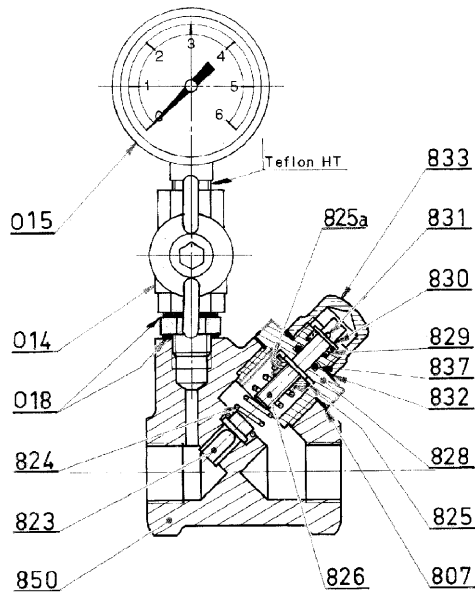
Valve	Spring fitted	Springs supplied
N°0,5	N°1	N°2 - N°3
N°1	N°0	N°1 - N°2 - N°3
N°1	N°4	-
N°1,5	N°1	N°2 - N°3
N°2	N°1	N°2 - N°3

Maximum utilisation temperature : 180° C.

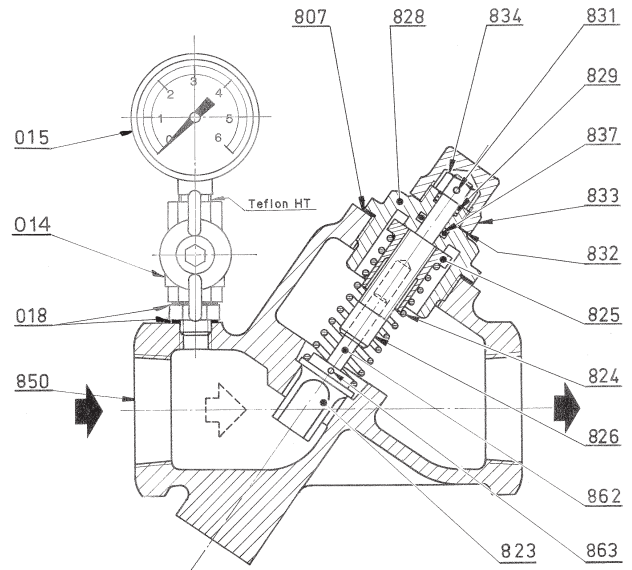
NB : Pressure - gauge isolating valve must be shut off between two pressure measures, according to utilisation instructions of this type of gear.

* If necessary, refer to the specific documentation about the requirements for the circuit and the pressure control valve position.

PARTS LIST



Valve n° 0,5 and valve n° 1



Valve n° 1,5 and valve n° 2

	PART REFERENCE – VALVE N°				Nb	DESIGNATION
	n°0,5	n°1	n°1,5	n°2		
*	824	824	824	824	1	Spring (specify n° at the order)
	832	832	832	832	1	Cap gasket (see 896)
*	833	833	833	833	1	Cap
*	850	850	850	850	1	Body
*	012	012	012	012	1	VALVE GAUGE SET
	014	014	014	014	1	Pressure gauge valve
*	015	015	015	015	1	Pressure gauge
	-	-	-	017	2	Plug
	018	018	018	-	1	Valve gasket (see 896)
	-	-	-	018	3	Valve gasket (see 896)
*	-	820	-	-	1	VALVE SEAT SET (822 + 823)
*	-	-	-	864	1	SEAT SET (823 + 862 + 863)
*	823	-	823	-	1	Valve
*	895	895	895	895	1	ADJUSTING SCREW VALVE SET
	807	807	807	807	1	Nut gasket (see 896)
	825	825	825	825	1	Spring guide
	826	826	826	826	1	Adjusting screw
	828	828	828	828	1	Adaptor nut
	829	829	829	829	1	Lock spring
	830	830	-	-	1	Washer
	831	831	831	831	1	Pin (see 896)
	-	-	834	834	1	Adjusting nut
	837	837	837	837	1	Seal (see 896)
*	896	896	-	-	1	GASKET SET (018 + 807 + 832)
*	-	-	896	896	1	GASKET SET (018 + 807 + 829 + 831 + 832 + 837)

When order spare parts, please specify :

- the REFERENCE NUMBER of the pressure control valve,
- INSTRUCTIONS 1005-H00,
- the REFERENCE and NAME of the parts required.

Only complete assemblies or individual parts whose index-number is preceded by a star (*) can be supplied.