



**INSTRUCTIONS 1011-G00 e**

|           |            |
|-----------|------------|
| Section   | 1011       |
| Effective | July 2018  |
| Replaces  | March 2018 |

Translation of the  
original instructions

# *Prefilters PF*

**INSTALLATION**

**OPERATION**

**MAINTENANCE**

**WARRANTY :**

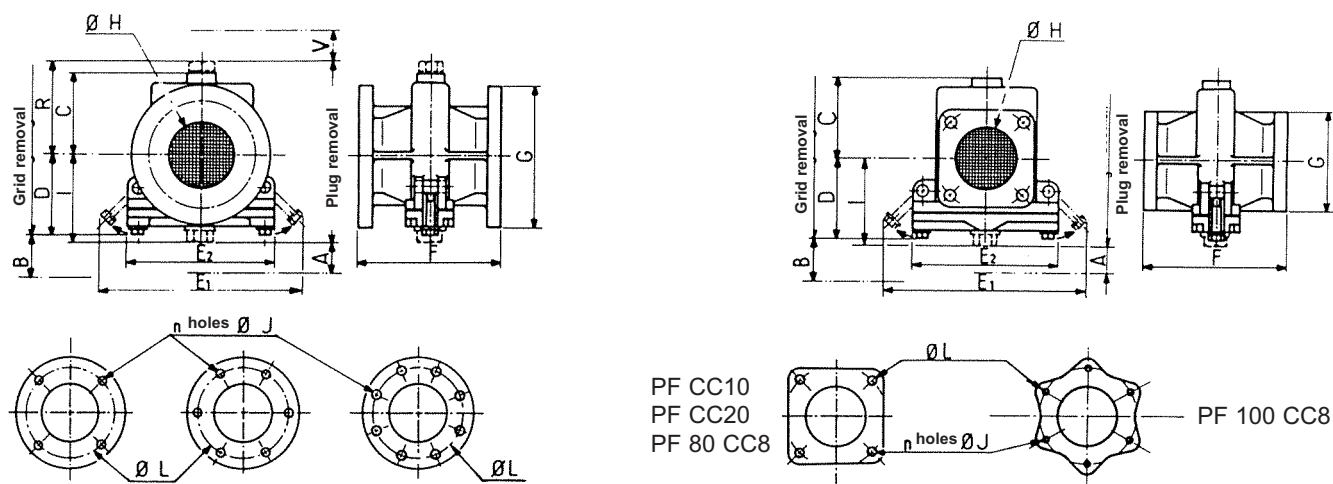
Prefilters PF are covered 24 months by warranty within the limits mentioned in our General Sales Conditions. In case of a use other than that mentioned in the Instructions manual, and without preliminary agreement of MOUVEX, warranty will be canceled.



Z.I. La Plaine des Isles - F 89000 AUXERRE - FRANCE  
Tel. : +33 (0)3.86.49.86.30 - Fax : +33 (0)3.86.49.87.17  
contact@mouvex.com - www.mouvex.com

Your distributor :

## OVERALL DIMENSIONS



PF CC10  
PF CC20  
PF 80 CC8

PF 100 CC8

| Filter                 | Ø of grid holes | Dimensions (mm) |     |     |     |     |     |     |           |     |     |     | Flange holes |   |     | Maximum pressure | Material  | Weight (kg) |
|------------------------|-----------------|-----------------|-----|-----|-----|-----|-----|-----|-----------|-----|-----|-----|--------------|---|-----|------------------|-----------|-------------|
|                        |                 | A               | B   | C   | D   | E1  | E2  | F   | G         | H   | I   | R   | L            | n | J   |                  |           |             |
| PF 25 AB H<br>PF 25 AZ | 1 mm - 4 mm     | 15              | 90  | 47  | 50  | *** | 96  | 100 | Ø 70      | 25  | 62  | -   | 53           | 3 | 7,5 | 1,5              | Cast iron | 1,5         |
| PF 40 AG H<br>PF 40 AD | 1 mm - 4 mm     | -               | 125 | 66  | 83  | 190 | 145 | 140 | Ø 100     | 40  | -   | -   | 80           | 4 | 9   | 1,5              | Alu       | 2           |
| PF 40 A6<br>AF TM H    | 1 mm - 4 mm     | -               | 125 | 66  | 83  | 190 | 145 | 140 | Ø 120     | 40  | -   | -   | 90           | 4 | 14  | 1,5              | Alu       | 2           |
| PF 50 A12              | 1 mm - 4 mm     | -               | 155 | 75  | 106 | 210 | 165 | 170 | Ø 140     | 50  | -   | -   | 110          | 4 | 14  | 1,5              | Alu       | 3,2         |
| PF 70 A18              | 1 mm - 4 mm     | -               | 155 | 75  | 106 | 210 | 165 | 170 | Ø 160     | 70  | -   | -   | 130          | 4 | 14  | 1,5              | Alu       | 3,7         |
| PF 80 A31              | 1 mm - 4 mm     | 20              | 220 | 110 | 132 | 250 | 205 | 220 | Ø 190     | 80  | 150 | -   | 150          | 4 | 18  | 1,5              | Alu       | 6           |
| PF 125 A55*            | 1 mm - 4 mm     | 20              | 280 | 145 | 160 | 310 | 260 | 254 | Ø 210     | 100 | 195 | 160 | 170          | 4 | 18  | 1,5              | Cast iron | 23          |
| PF CC20                | 1 mm - 4 mm     | -               | 155 | 90  | 88  | 210 | 165 | 160 | 110       | 70  | -   | -   | 115          | 4 | 14  | 2                | Alu       | 2,6         |
| PF CC10                | 0,5 mm - 4 mm   | -               | 155 | 90  | 88  | 210 | 165 | 160 | 110       | 70  | -   | -   | 115          | 4 | 14  | 2                | Alu       | 2,6         |
| PF 80 CC8              | 0,5 mm - 4 mm** | 20              | 196 | 99  | 100 | 250 | 190 | 138 | 116       | 80  | 136 | -   | 125          | 4 | 12  | 2                | Alu       | 3           |
|                        | 1 mm - 4 mm     |                 |     |     |     |     |     |     |           |     |     |     |              |   |     |                  |           |             |
| PF 100 CC8             | 1 mm - 4 mm     | 20              | 226 | 109 | 120 | *** | 190 | 220 | See above | 100 | 156 | -   | 160          | 6 | 14  | 2                | Alu       | 5,5         |

\* V = 100

\*\* Max flowrate : 42 m<sup>3</sup>/h

\*\*\* PF not equipped with quick dismantling

## PRESENTATION

PF prefilters are designed to protect against the accidental passage of sizeable foreign matter which could clog or damage them.

The PF strainers for All series pumps can only be mounted on pumps with Option 'Flanges : Compatible with old A series'.

## INSTALLATION

Filters can be fitted directly to pumps whose type designation is repeated in the prefilter's own type designation since the flange holes are identical (e.g. prefilter PF 40 A6 can be fitted directly to pump type A6).

They must be fitted with the cover turned downwards (see drawing above).

### Piping assembly

In order to achieve the best usage conditions, it is important to take the following recommendations into account when it comes to fitting pipes :

- The pipes are supported and aligned with the prefilter in such a way as to avoid putting stress on the prefilter flanges. Non-compliance with this instruction can lead to deformation of parts, even causing parts to break.
- The pipes should be designed to allow for thermal expansion/contraction (the use of flexible hoses or expansion loops is recommended).
- If the liquid may freeze or solidify, prepare for draining the piping by installing drain taps at the low points and air vents at the high points.

---

## USE

### Maximum temperature : 180°C.

All prefilters are equipped with 2 steel (on request stainless steel) filtering grids :

- one with 4 mm holes
- the other with 0,5 or 1 mm holes

It is permissible to remove the latter when operating conditions require it (viscous liquids or liquids becoming temporarily viscous due to a temperature drop). Naturally the grid must be replaced as soon as conditions no longer justify its removal.

---

## MAINTENANCE

When fitting the prefilter, we recommend putting the cover at the bottom. This position allows removing the cover and filtration grids easily to drain off any remaining liquid and residue (particles) that may have been collected at the bottom of the prefilter.

If lack of space available to access the prefilter and perform maintenance imposes to put cover at the top, it will be necessary to :

- Drill the bottom of the prefilter and thread it in order to fit a sealed plug (18 mm in diameter),
- Machine surface around the drilling to eliminate any asperity that could damage the gasket.

With the prefilter in this position, great care must be taken during maintenance to prevent particles, foreign bodies and other pollutants from penetrating pipes and pump.

Maintenance is to be conducted as follows :

- make sure the pump is stopped and will not be started during maintenance. Also make sure there is no residual pressure in the prefilter. Preferably empty the circuit or insulate the prefilter using the valves before and after the circuit,
- gradually unscrew the plug to make sure there is no residual pressure in the prefilter,
- remove the plug from the prefilter (use a suitable recipient for the amount of liquid which may run off from the pipes),
- remove the cover and grids,
- rinse the grids using a liquid compatible with the fluid normally pumped,
- rinse inside the prefilter using a liquid compatible with the fluid normally pumped to eliminate any particles at the bottom of the prefilter,
- fit the plug back on (repositioning the gasket carefully), reposition the filtration grids and replace the cover and gasket (making sure not to damage it).