

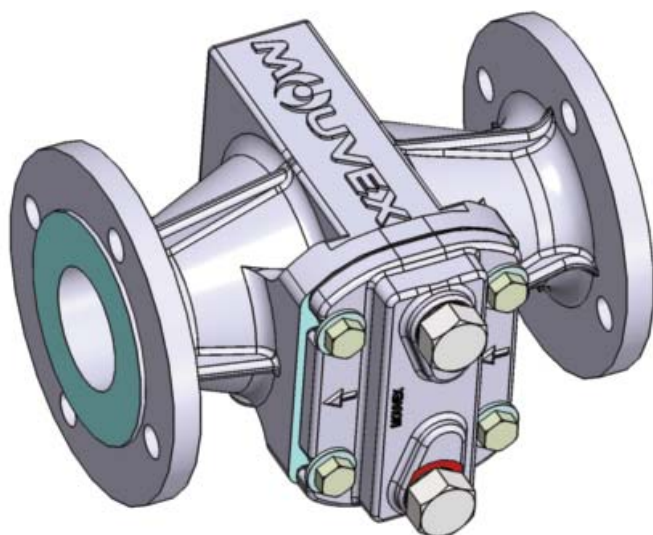


INSTRUCTIONS 1011-I00 e

| | |
|-----------|------------|
| Section | 1011 |
| Effective | March 2018 |
| Replaces | March 2017 |

Translation of the original instructions

Filters PF P



INSTALLATION

OPERATION

MAINTENANCE

WARRANTY :

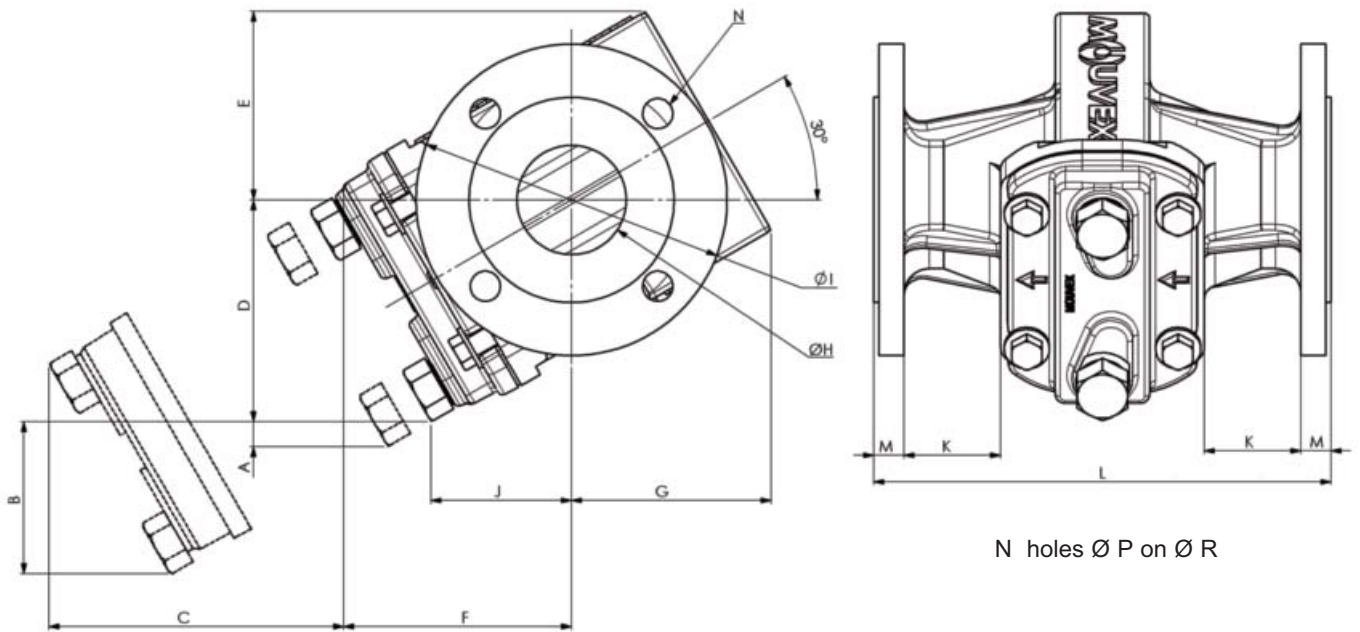
Prefilters PF P are covered 24 months by warranty within the limits mentioned in our General Sales Conditions. In case of a use other than that mentioned in the Instructions manual, and without preliminary agreement of MOUVEX, warranty will be canceled.



Z.I. La Plaine des Isles - F 89000 AUXERRE - FRANCE
Tel. : +33 (0)3.86.49.86.30 - Fax : +33 (0)3.86.49.87.17
contact@mouvex.com - www.mouvex.com

Your distributor :

OVERALL DIMENSIONS



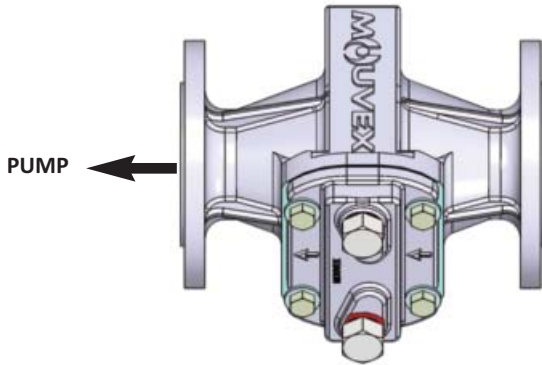
| | | FILTERS | | | |
|--------------------|---------------------------|---------|---------|---------|----------|
| | | PF P 25 | PF P 40 | PF P 60 | PF P 100 |
| Dimensions (mm) | A | 11 | 11 | 11 | 11 |
| | B | 84 | 101 | 101 | 143 |
| | C | 147 | 185 | 185 | 204 |
| | D | 127 | 151 | 151 | 146 |
| | E | 111 | 132 | 132 | 150 |
| | F | 135 | 159 | 159 | 182 |
| | G | 118 | 140 | 140 | 158 |
| | H | 65 | 80 | 100 | 125 |
| | I | 185 | 200 | 220 | 250 |
| | J | 82 | 95 | 95 | 100 |
| | K | 61 | 75 | 75 | 76 |
| | L | 272 | 321 | 321 | 329 |
| | M | 18 | 18 | 18 | 18 |
| | Boring of flanges (mm) | N | 4 | 8 | 8 |
| P | | 18 | 18 | 18 | 18 |
| R | | 145 | 160 | 180 | 210 |
| Internal volume | Liter | 2,3 | 3,4 | 4,0 | 6,1 |
| Weight | Kg | 17 | 23 | 25 | 35 |

INSTALLATION

Presentation

PF P filters are designed to protect against the accidental passage of foreign matters.

They can be flanged-mounted on the pumps and must be fitted with the cover turned downwards (drain plug in the lowest position and arrows on filter cover towards the pump), see drawing.



Piping assembly

In order to achieve the best usage conditions, it is important to take the following recommendations into account when it comes to fitting pipes :

- The pipes are supported and aligned with the filter in such a way as to avoid putting stress on the filter flanges. Non-compliance with this instruction can lead to deformation of parts, even causing parts to break.
- The pipes should be designed to allow for thermal expansion/contraction (the use of flexible hoses or expansion loops is recommended).
- If the liquid may freeze or solidify, prepare for draining the piping by installing drain taps at the low points and air vents at the high points.

UTILISATION

All filters are equipped with 2 steel filtering grids :

- one with 4 mm holes, which has to be removed during cleaning operations
- one with 1 mm holes.

The 1 mm holes grid might be removed when operating conditions require it (viscous liquids or becoming temporarily viscous due to a temperature drop).

Naturally the grid must be replaced as soon as conditions no longer justify its removal.

Maximum temperature : 150°C.

Maximum pressure : 4 bar.

DISMANTLING - ASSEMBLY

Tools required :

- 19, 24 and 30 spanners
- Flat screwdriver

Dismantling

Before any dismantling operation, drain the filter :

- Unscrew the plugs **10** without damaging the gaskets **11**.
- Having completed the draining, check the conditions of the gasket **11** and change it if necessary.
- Clean the contact surfaces of the plug, the cover and the gasket.
- Screw back the plugs **10** with their gaskets **11**.

Remove the cover **5** by loosening the 4 screws **18** and washers **16**.

Clean the grids and also the contact surfaces of the cover and body of the filter.

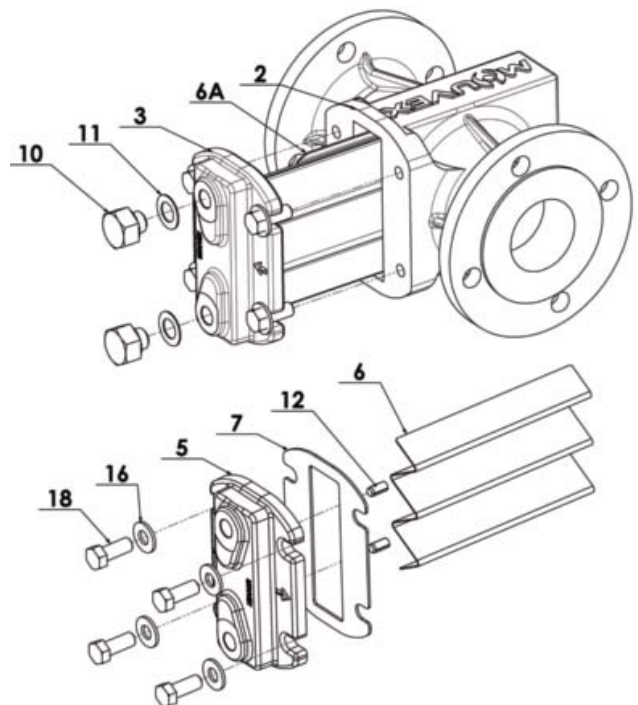
Check the condition of the gasket **7**.

Assembly

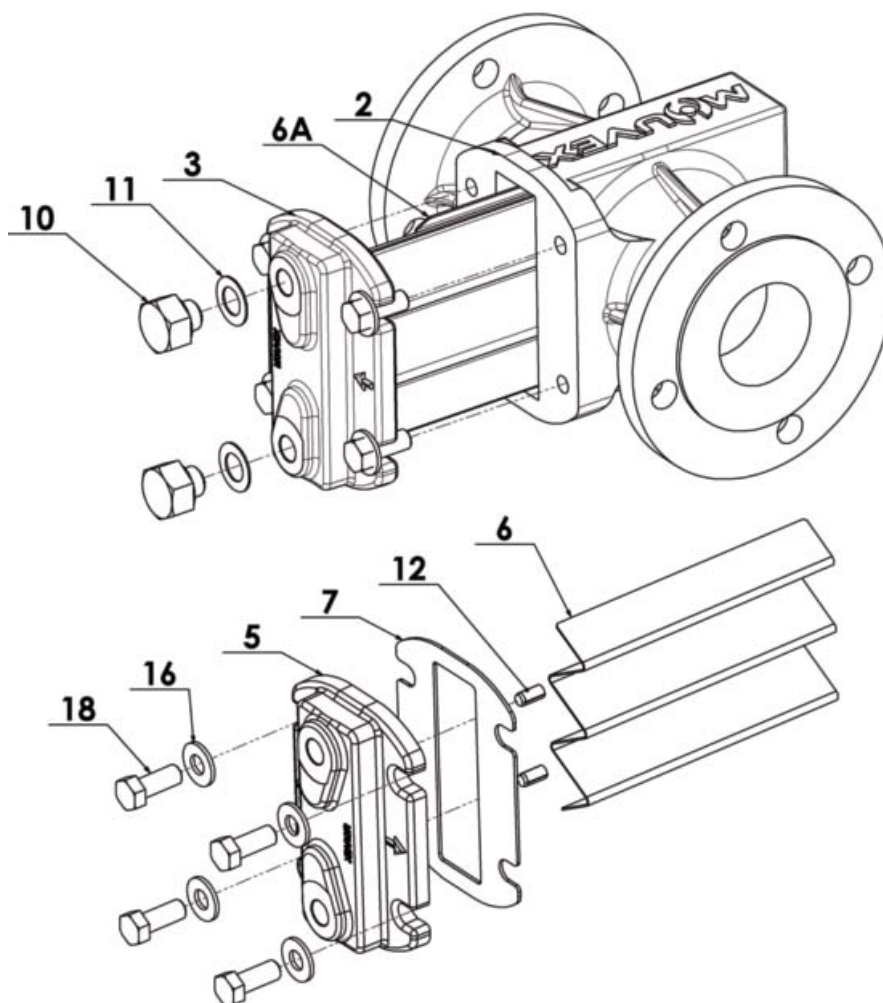
Position the cover **5** with its gasket **7** so that it abuts against the body of the filter **2**.

The arrows on the cover must point towards the pump.

Tighten the 4 screws **18** with washers **16**.



SPARE PARTS



| REP | Nb | DESIGNATION |
|------|----|------------------------------|
| * 2 | 1 | Body |
| * 3 | 1 | COMPLETE COVER |
| * 5 | 1 | Cover |
| 6 | 1 | Ø 4 mm filtration grid |
| 7 | 1 | Gasket (see 99) |
| 12 | 2 | Pin |
| 16 | 4 | Washer (see 98) |
| 18 | 4 | Screw (see 98) |
| * 6a | 1 | Ø 1 mm filtration grid |
| * 13 | 1 | SET OF DRAIN PLUGS, COMPLETE |
| * 10 | 2 | Plug |
| 11 | 2 | Gasket (see 99) |
| * 98 | 1 | SET OF SCREWS (16 + 18) |
| * 99 | 1 | SET OF GASKETS (7 + 11) |

* Assemblies and parts available for supply.

When ordering spare parts, mention :

- the TYPE of filter
- the REFERENCE and NAME of the parts required (* : Assemblies and parts available for supply).
- INSTRUCTIONS 1011-I00