



INSTRUCTIONS 1401-AD00 e

Section	1401
Effective	February 2022
Replaces	October 2018

Original instructions

Intercooler screw compressors B200



WARRANTY :

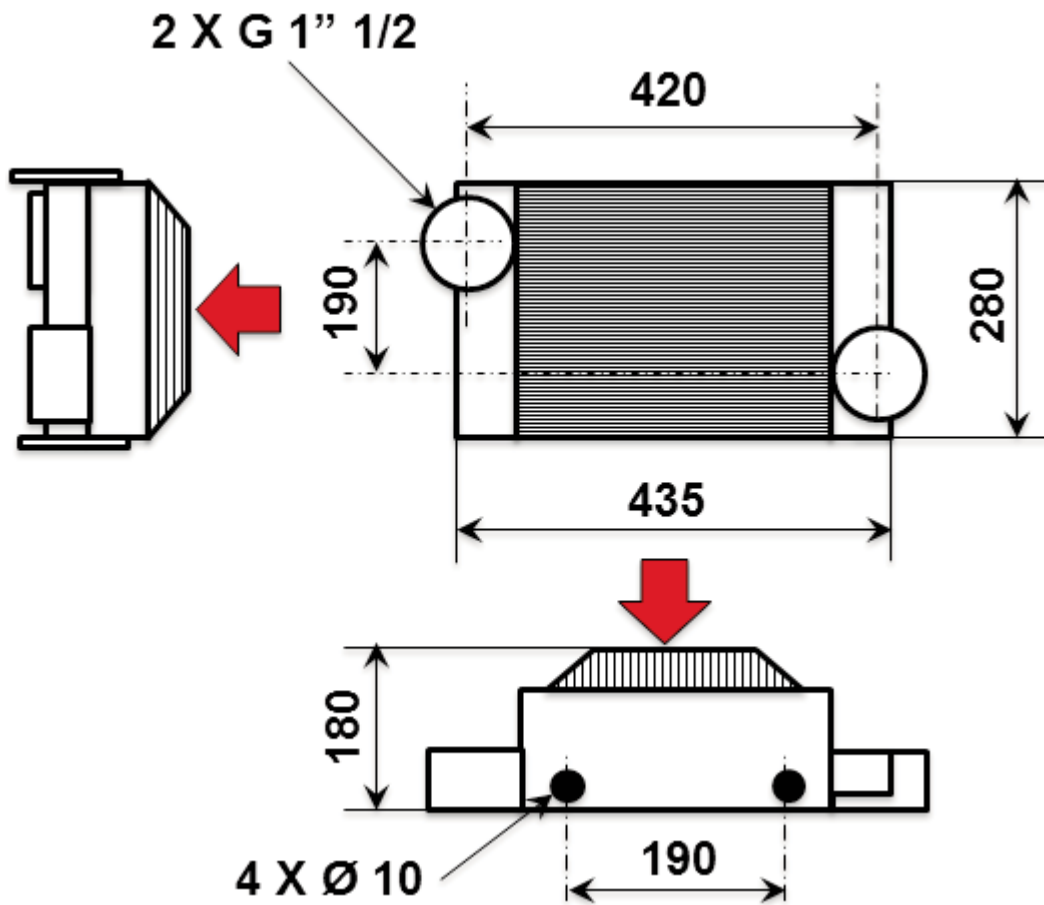
Intercooler for B200 is covered 24 months by warranty within the limits mentioned in our General Sales Conditions. In case of a use other than that mentioned in the Instructions manual, and without preliminary agreement of MOUVEX, warranty will be canceled.



Z.I. La Plaine des Isles - F 89000 AUXERRE - FRANCE
Tel. : +33 (0)3.86.49.86.30 - Fax : +33 (0)3.86.49.87.17
contact.mouvex@psgdover.com - www.mouvex.com

Your distributor :

OVERALL DIMENSIONS



ADDITIONAL DOCUMENTATION :

Spare parts list PL 1401-X01 B200

FIXATION

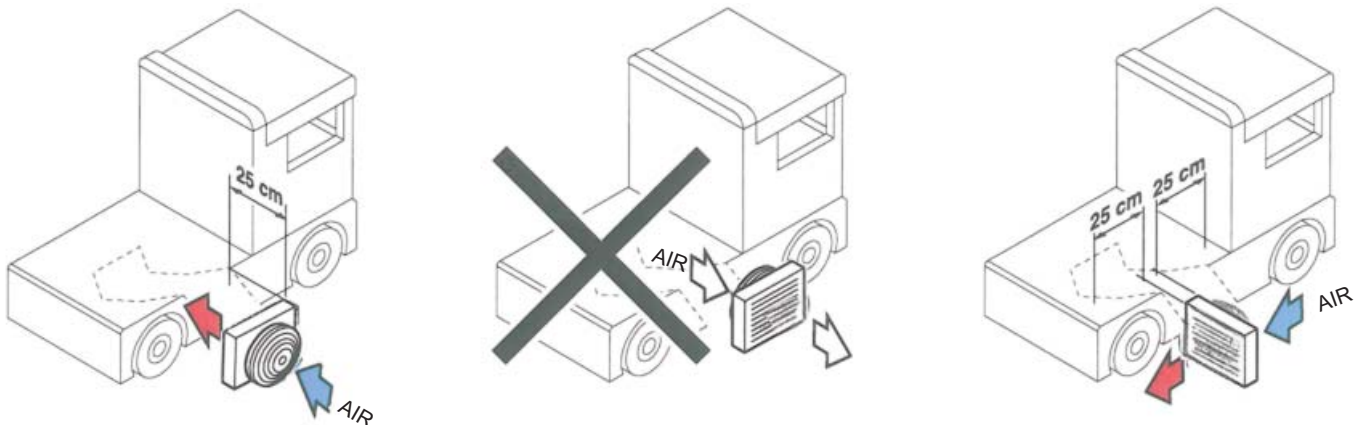
Please, make sure to take care of the information given in the pictures below.

It can be also mounted horizontally, just make sure it is far enough from a wall to ensure a proper air flow.

Turn it in order to ensure the air is sucked from an external area to the truck.

The Intercooler must be also protected from impacts, vibrations and splashes.

It can be fixed thanks to the 2 brackets provided or with a tailor made one bolt to the holes Ø 10.



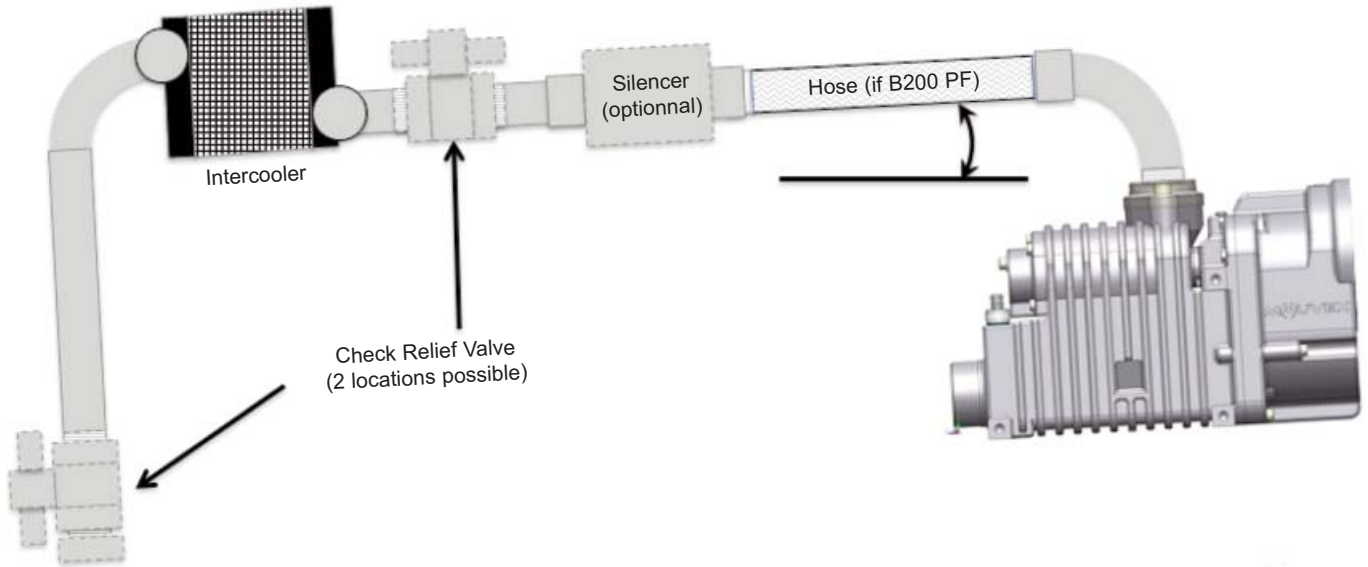
CHARACTERISTICS

- Tension24V DC
- Current consumption de courant ...4,1 A
- Speed3000 rpm
- Protection standardIP 68
- Pressure drop0,1 bar
- Air flow1000 m³/h
- Weight8 kg
- Delivered with the connection wire

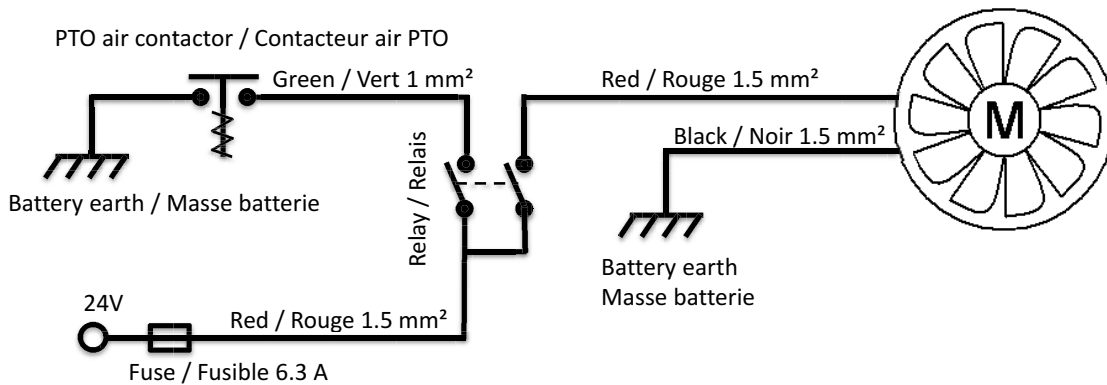
CONNECTION

It will be done accordingly to the diagram below.

If the check relief valve is fitted after the Intercooler or/and the silencer, only models 2 bar & 2,3 bar are allowed (2,5 bar forbidden).



ELECTRIC CONNECTION



Electrical cabling suggested :

Warning : The current source must be cut before any intervention in the electrical circuit to prevent any damage to equipment or physical injury.

The power supply must be protected with a 6,3 A fuse (not supplied) on the power supply.

The electrical cable must be correctly supported to prevent its wear through friction, which could make the equipment live or cause unwanted microcuts.

The installer is responsible for supplying this electric line when the compressor is in use and switching it off when the compressor is not required.

To provide with power the fan use a relay able to switch 20 A. It could be controlled by a manual switch or automatic device that uses the command signal of the control drive (pneumatic or electric).

Turning off the fan while the compressor is running can cause damage to equipment or physical injury (failure of the fan or accessories on the cooled outlet ...).

Make sure of the fan direction rotation in order to take care of the air flow direction specified § FIXATION.