



Screw Compressor Package – LS-DDNC

Low-Space, Direct-Driven, Non-Cooled Systems

Mouvex® has developed low-space, non-cooled modular screw compressor systems fitted with common accessories for PTO direct-drive systems that can be mounted inside the truck frame.

Features:

- Lightest and smallest of the Mouvex direct-drive systems.
- Could be partially fitted behind fuel tank (maximum space required 330 mm)
- Complete assembled package (plug-in system)

Systems designed for Mouvex screw compressors:

- B600
- MISTRAL
- TYPHON II

B600
325 - 600 m³/h



MISTRAL
420 - 750 m³/h



TYPHON II
600 - 1130 m³/h

LS-DDNC



Low-Space, Direct-Driven,
Non-Cooled Systems

B600-20R LS-DDNC – Low Space



TYPHON II-13R/15L LS-DDNC – Low Space



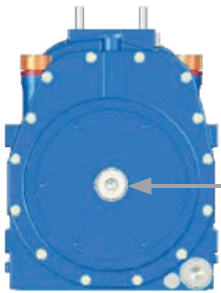
Length: 319 mm, Height: 790 mm, Width: 717 mm



Screw Compressor Package – LS-DDNC

Low-Space, Direct-Driven, Non-Cooled Systems

Compressor Model		B600		MISTRAL		TYPHON II	
Version		20R 30R	13R/15L 19R/22L	20R 30R	13R/15L 19R/22L	20R 30R	13R/15L 19R/22L
Flow	m ³ /h	325 - 600		420 - 750		600 - 1130	
Weight	kg	151	181	176	206	204	234
Height (H) - Maximum	mm	790		790		790	
Length (L)	mm	319		319		319	
Width (W)	mm	717		717		717	
Compressor Length (C)	mm	549	686	587	723	664	799

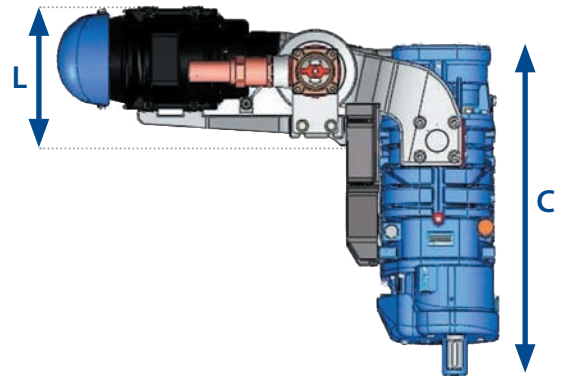
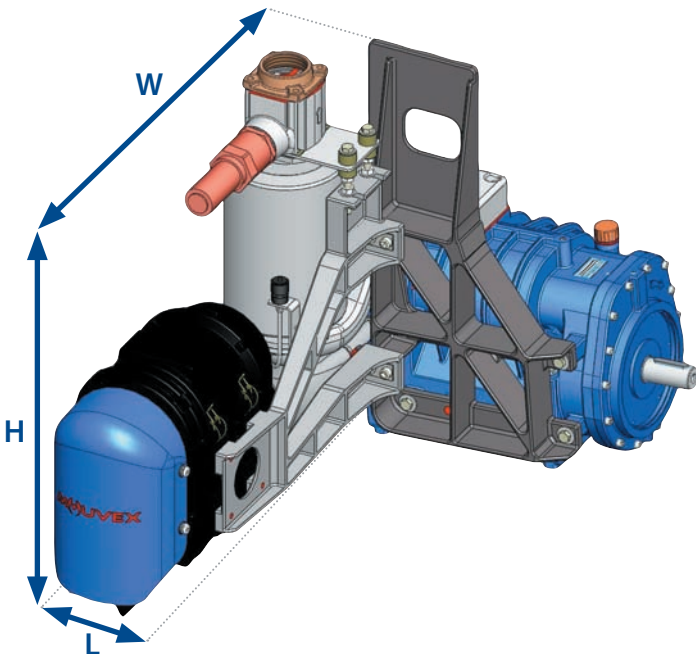


20R/CW 1200 - 2000 rpm
30R/CW 1800 - 3000 rpm



13R/CW 780 - 1300 rpm
19R/CW 1170 - 1950 rpm

15L/CCW 900 - 1500 rpm
22L/CCW 1320 - 2250 rpm



MOUVEX®

ZI la Plaine des Isles • 2 rue des Caillottes
F-89000 AUXERRE - FRANCE
Tel: + 33.3.86.49.86.30 • Fax: + 33.3.86.46.42.10
contact@mouvex.com
mouvex.com

Authorized PSG® Partner: