



## CC10-24 Series Rotary Vane Pumps

The Mouvex solution for the tank truck transfer of petroleum products

### More efficient

- Pressure of operation up to 145 psi (10 bar) allowing for higher flow rate with a long hose length

### More respectful of the environment

- Quiet operation (72 dBA)
- Economic (See power consumption on back page)
- Fast (Reduces delivery time)
- Light weight – 70.6 lbs. (32 kg)

### Easier to use

- Ultra compact
- Reversible

### Increased safety

- Heir of the legendary CC8 and its innovations
- ATEX certified
- Operation of by-pass without risk of heating
- No maintenance required
- Equipped with 500 micron strainer
- 3-year warranty



CC10 Pump



500  $\mu$  Strainer

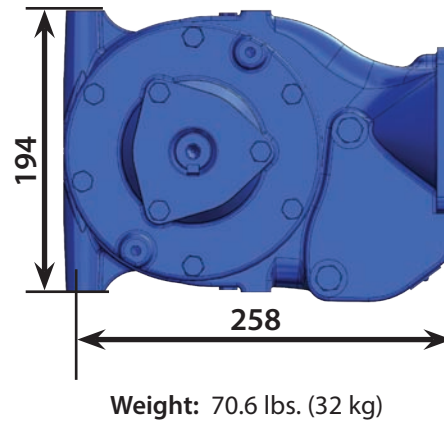
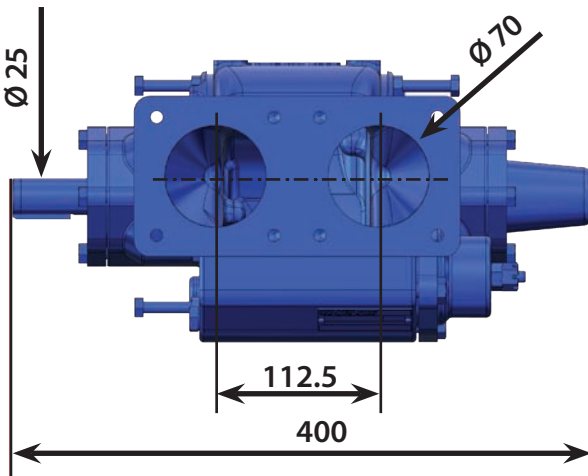
Flow rates up to 185 gpm (42 m<sup>3</sup>/h)  
- 145 psi (10 bar)





# CC10-24 Series Rotary Vane Pumps

The Mouvex solution for the tank truck transfer of petroleum products

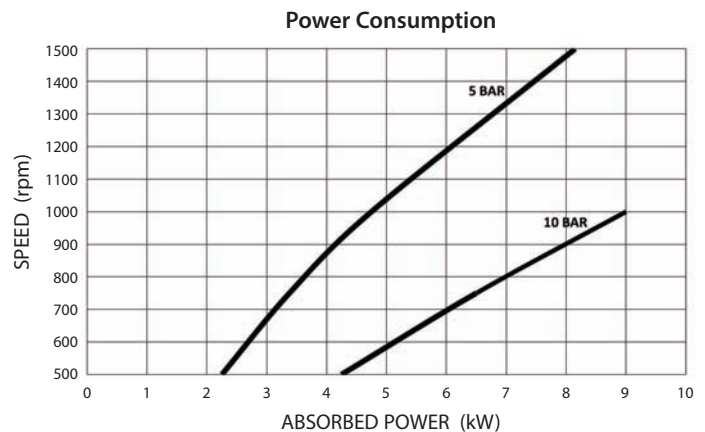
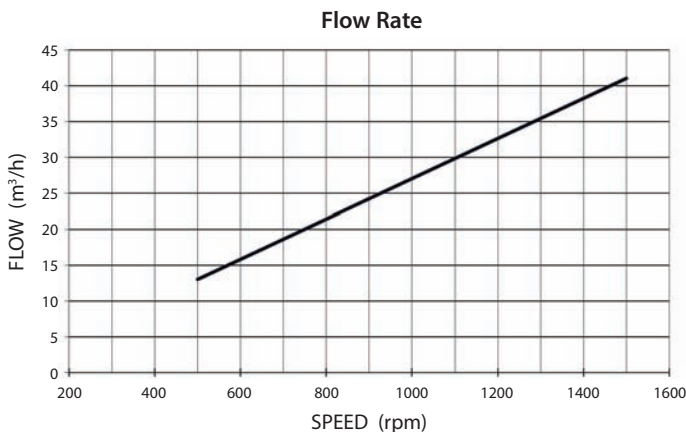


## Characteristics:

- **Construction:** Cast Iron, Steel
- **Vanes:** 6 TVP vanes
- **Bearings:** Double ball bearings
- **Fittings:** Mouvex, carbon/stainless steel, FKM seals
- **By-pass:** Integrated by-pass protection
- **Static seals :** FKM
- **Flanges:** Against flanges bored Ø77

## Options:

- Mechanical by-pass with spring 72.5 or 145 psi (5 or 10 bar)
- Pneumatic by-pass
- SAE A hydraulic lantern



ZI la Plaine des Isles • 2 rue des Caillottes  
F-89000 AUXERRE - FRANCE  
Tel: + 33.3.86.49.86.30 • Fax: + 33.3.86.46.42.10  
contact@mouvex.com  
mouvex.com

Mouvex reserves the right to modify the information and illustrations contained in this without notice. This is a non-contractual document.

Authorized PSG® Partner:

