



CC10-24 Series Rotary Vane Pumps

The Mouvex solution for the tank truck transfer of petroleum products

More efficient

- Pressure of operation up to 145 psi (10 bar) allowing for higher flow rate with a long hose length

More respectful of the environment

- Quiet operation (72 dBA)
- Economic (See power consumption on back page)
- Fast (Reduces delivery time)
- Light weight – 70.6 lbs. (32 kg)

Easier to use

- Ultra compact
- Reversible

Increased safety

- Heir of the legendary CC8 and its innovations
- ATEX certified
- Operation of by-pass without risk of heating
- No maintenance required
- Equipped with 500 micron strainer
- 3-year warranty



CC10 Pump



500 µ Strainer

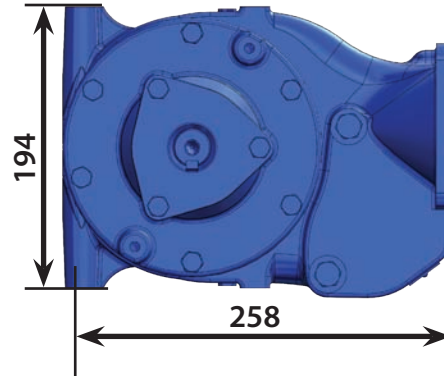
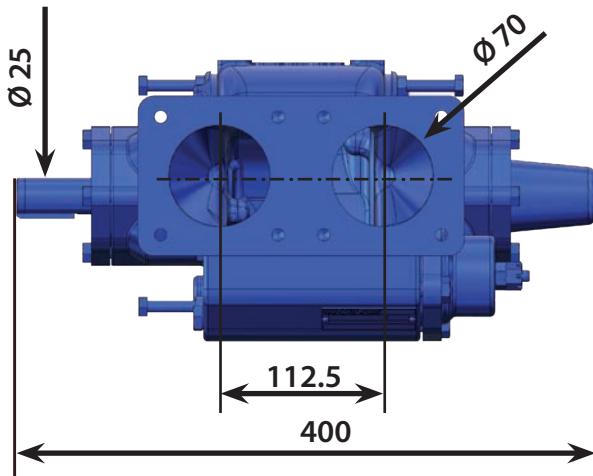
Flow rates up to 185 gpm (42 m³/h)
- 145 psi (10 bar)





CC10-24 Series Rotary Vane Pumps

The Mouvex solution for the tank truck transfer of petroleum products



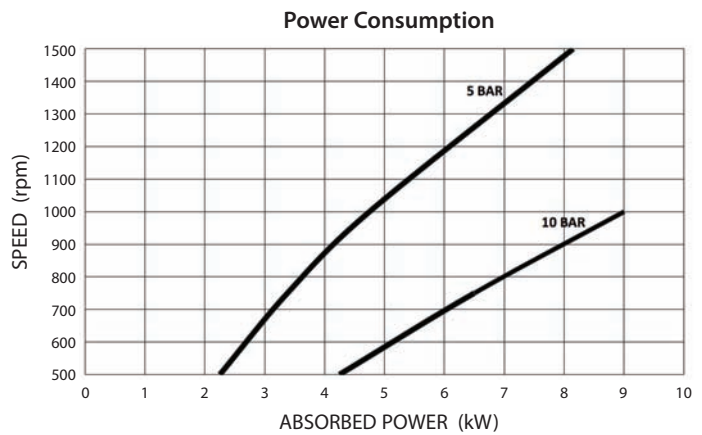
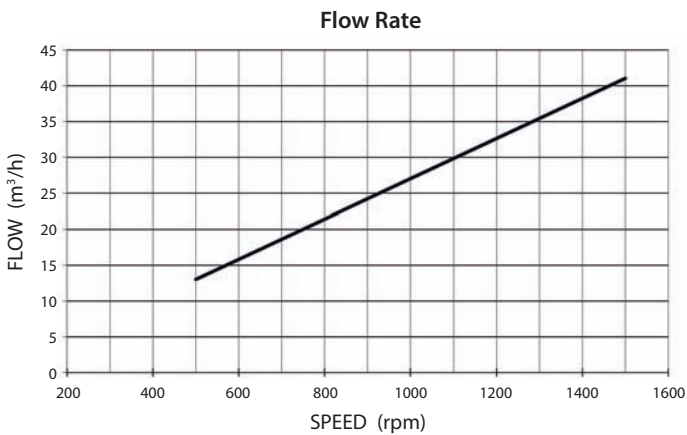
Weight: 70.6 lbs. (32 kg)

Characteristics:

- **Construction:** Cast Iron, Steel
- **Vanes:** 6 TVP vanes
- **Bearings:** Double ball bearings
- **Fittings:** Mouvex, carbon/stainless steel, FKM seals
- **By-pass:** Integrated by-pass protection
- **Static seals :** FKM
- **Flanges:** Against flanges bored Ø77

Options:

- Mechanical by-pass with spring 72.5 or 145 psi (5 or 10 bar)
- Pneumatic by-pass
- SAE A hydraulic lantern



ZI la Plaine des Isles • 2 rue des Caillottes
 F-89000 AUXERRE - FRANCE
 Tel: + 33.3.86.49.86.30 • Fax: + 33.3.86.46.42.10
 contact@mouvex.com
 mouvex.com

Mouvex reserves the right to modify the information and illustrations contained in this without notice. This is a non-contractual document.



Authorized PSG® Partner: