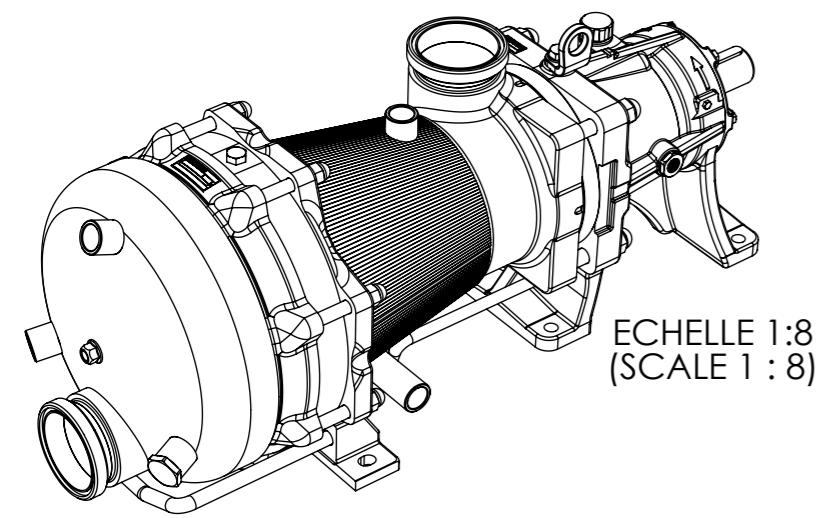


7 6 5 4 3 2 1

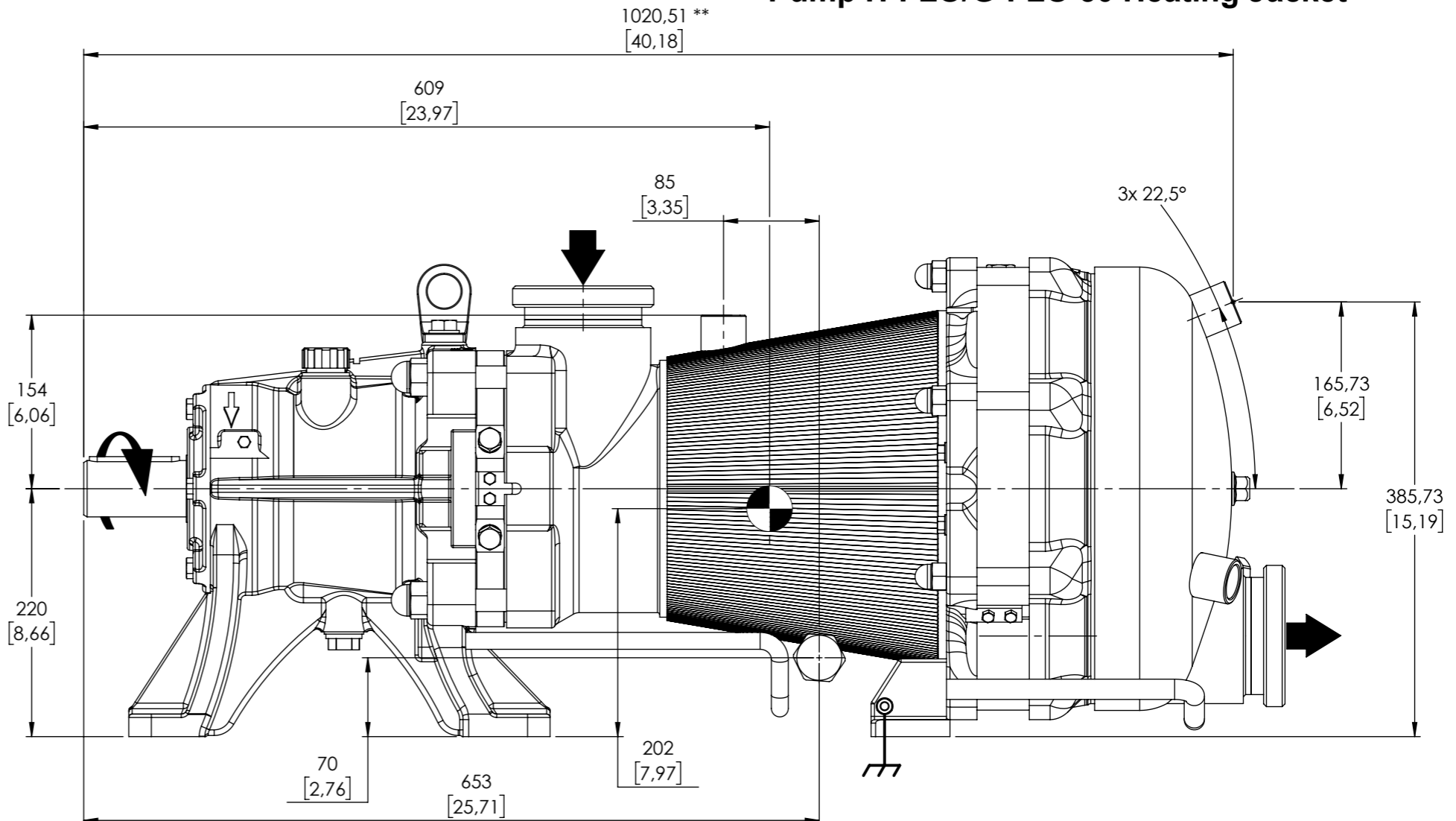
REVISIONS

ECN	REV.	DESCRIPTION
M3702	C	Update description thread 1" B.S.P.F =>1" B.S.P.P in E4

Pompe H-FLO/G-FLO 50 Enveloppe réchauffage
Pump H-FLO/G-FLO 50 Heating Jacket

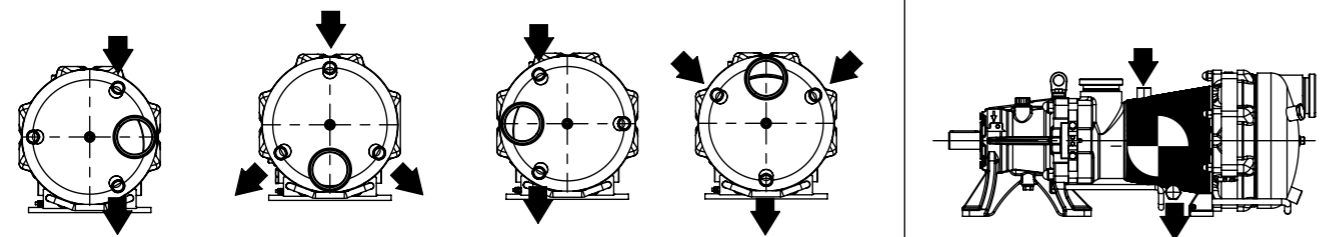


ECHELLE 1:8
(SCALE 1 : 8)

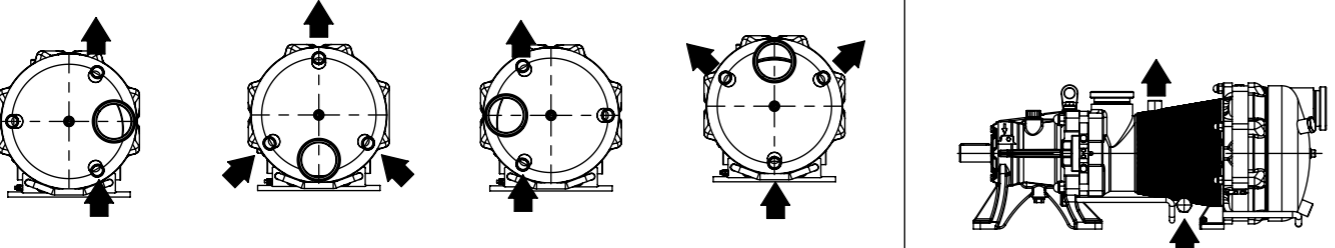


RACCORDEMENT DE L'ENVELOPPE (JACKET CONNECTION) : 1" GAZ CYLINDRIQUE FEMELLE (1" B.S.P.P)

VAPEUR (STEAM)



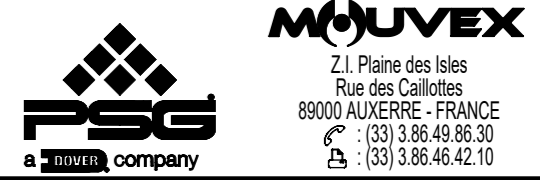
LIQUIDE (LIQUID)



NOTA:
 -POUR LES AUTRES COTES VOIR LE PLAN D'ENCOMBREMENT SPECIFIQUE AU RACCORD (POIDS : AJOUTER 16 kg POUR H-FLO/G-FLO 50).
 **AJOUTER 8MM SI CE RACCORD EST FERMÉE AVEC LE BOUCHON

(NOTE:
 -OTHER DIMENSIONS: REFER TO THE DIMENSIONAL DRAWING CORRESPONDING WITH THE CONNECTION (WEIGHT: ADD 16 kg FOR H-FLO/G-FLO 50).
 ** ADD 8MM IF THIS CONNECTION IS CLOSED WITH PLUG

COMMENTS OR DIMENSIONS IN BRACKETS ARE INDICATIVE			UNLESS OTHERWISE SPECIFIED, ALL DIMENSIONS ARE IN mm	
DRAWN	MS	2020-11-17	PROJECTION FIRST ANGLE	
APPV'D	FP	2023-03-01		
WEIGHT:			SCALE: 1:5	
DO NOT SCALE DRAWING			SIZE : A3	
DRAWING N°:			REV :	
M001464A4			C	
SHEET 1 OF 1				



7 6 5 4 3 2 1