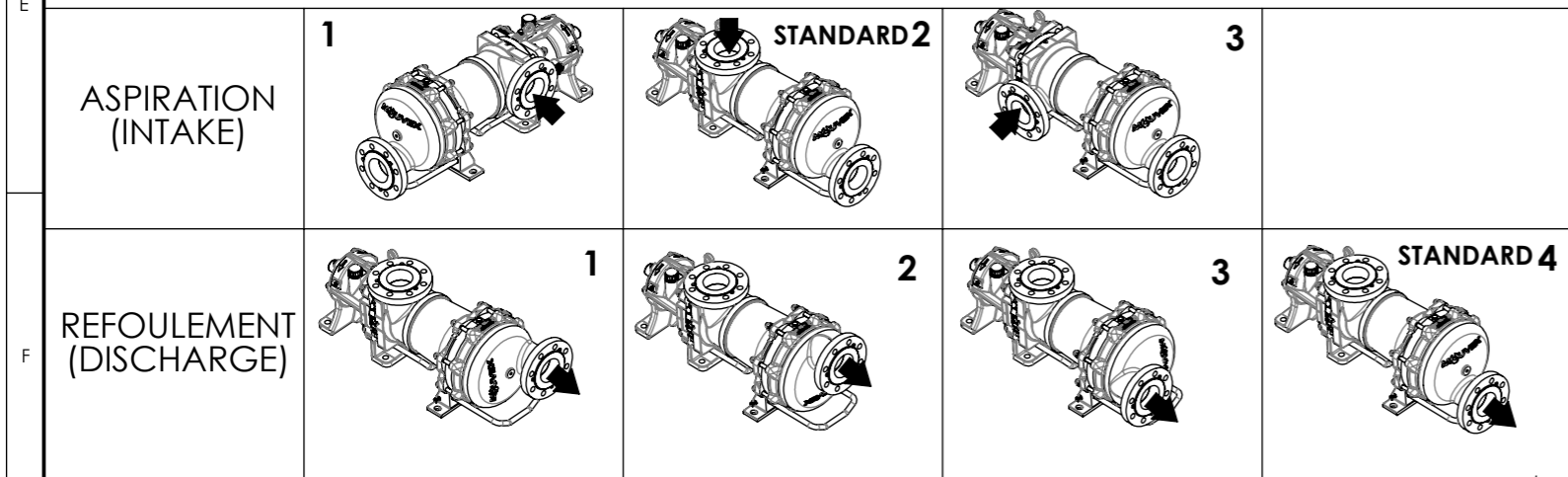


P	Plaque pompe (Pump's name plate)
R	Remplissage / Reniflard (Filling / Breather)
V	Vidange (Drain)
N	Niveau d'huile (Oil level)
A	Anneau de levage (Lifting ring)

POSITIONS POSSIBLES (POSSIBLE POSITIONS)



BRIDES (FLANGES)														
	DN	A	B	ØB1	C	D	E	F	ØG	ØK	ØL	M (nb holes / trous)	H (Deg)	Masse -kg- (Weight -lb-)
PN16 (EN 1092-1)	80	865	248	90,5	511,5	531,5	171	191	200	160	18	8	22,5°	130
	[3,15]	[34,055]	[9,764]	[3,563]	[20,138]	[20,925]	[6,732]	[7,52]	[7,874]	[6,299]	[0,709]			[287]
PN20 (ANSI/ASME B16.5)	80	865	248	90,5	511,5	541,5	171	201	190	152	19	4	45°	130
	[3,15]	[34,055]	[9,764]	[3,563]	[20,138]	[21,319]	[6,732]	[7,913]	[7,48]	[5,984]	[0,748]			[287]

UNLESS OTHERWISE SPECIFIED, ALL DIMENSIONS ARE IN mm

	NAME	DATE	PROJECTION FIRST ANGLE
DRAWN	RVB	2020-07-07	
APPV'D	JÉ	2021-09-10	

WEIGHT: -
SCALE: 1:7 DO NOT SCALE DRAWING

DRAWING N° **M001777A3** REV: **A**

PSG a MOVEX company

Mouvex Z.I. Plaine des Isles
Rue des Caillottes
89000 AUXERRE - FRANCE
☎ (33) 3.86.49.86.30 - 📠 (33) 3.86.46.42.10

THIS DOCUMENT CONTAINS PROPRIETARY INFORMATION OF PSG - A DOVER COMPANY. ITS RECEIPT AND POSSESSION DO NOT CONVEY ANY RIGHTS TO REPRODUCE OR DISCLOSE ITS CONTENTS OR TO MANUFACTURE OR SELL ANYTHING IF IT MAY DESCRIBE. THIS DOCUMENT IS SUBJECT TO RETURN UPON REQUEST. REPRODUCTION, DISCLOSURE OR USE OF THIS DOCUMENT WITHOUT THE WRITTEN AUTHORIZATION OF DOVER CORPORATION IS STRICTLY FORBIDDEN.