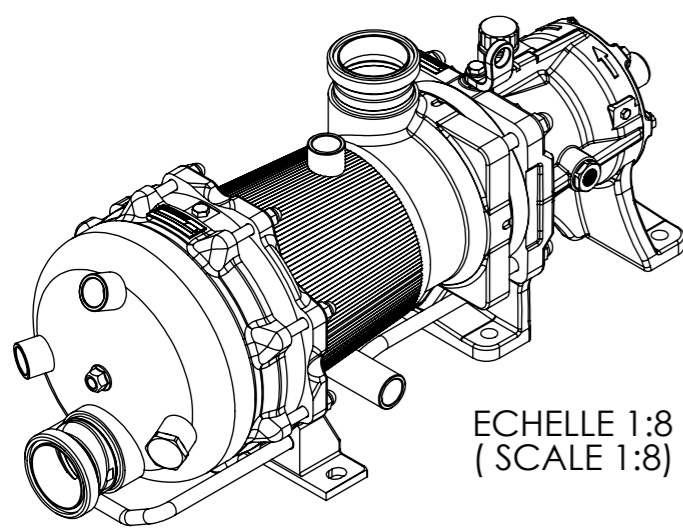
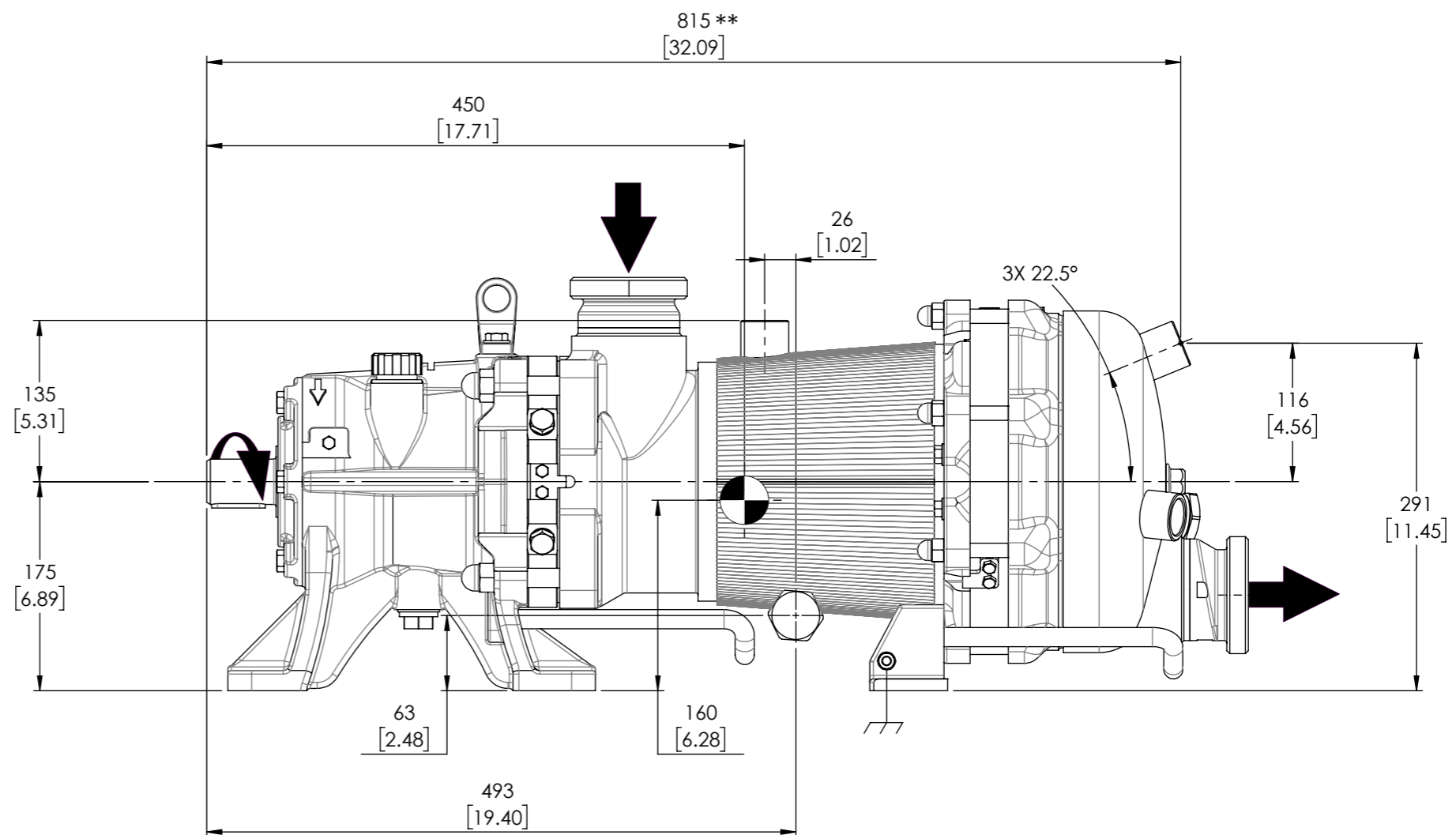
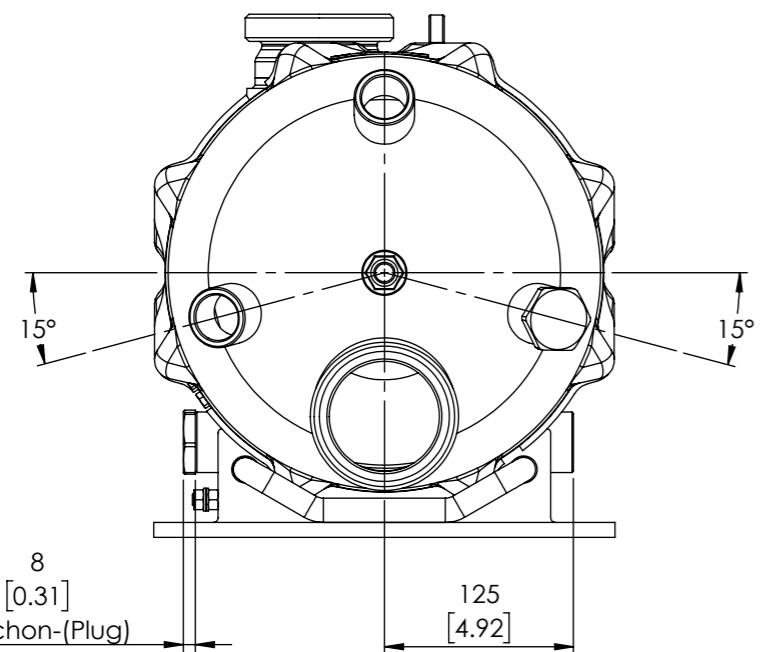


REVISIONS		
ECN	REV.	DESCRIPTION
M3697	B	Update position nozzle 1" in C1 & C3 (30°=>15°); update description thread 1" B.S.P.F =>1" B.S.P.P in E4

Pompe H-FLO/G-FLO 25 Enveloppe réchauffage  
 Pump H-FLO/G-FLO 25 Heating Jacket



ECHELLE 1:8  
(SCALE 1:8)



RACCORDEMENT DE L'ENVELOPPE (JACKET CONNECTION) : 1" GAZ CYLINDRIQUE FEMELLE (1" B.S.P.P)

E VAPEUR (STEAM)	<p>Le raccordement de l'entrée peut se faire sur un 1 ou 2 points. (The inlet connection may be connected to 1 or 2 points.)</p>	
	<p>Le raccordement de la sortie peut se faire sur un 1 ou 2 points. (The outlet connection may be connected to 1 or 2 points.)</p>	

NOTA:  
 -POUR LES AUTRES COTES VOIR LE PLAN D'ENCOMBREMENT SPECIFIQUE AU RACCORD (POIDS : AJOUTER 8 kg POUR H-FLO/G-FLO 25 ).  
 \*\*AJOUTER 8MM SI CE RACCORD EST FERMÉE AVEC LE BOUCHON

(NOTE:  
 -OTHER DIMENSIONS: REFER TO THE DIMENSIONAL DRAWING CORRESPONDING WITH THE CONNECTION (WEIGHT: ADD 8 kg FOR H-FLO/G-FLO 25).  
 \*\* ADD 8MM IF THIS CONNECTION IS CLOSED WITH PLUG)

UNLESS OTHERWISE SPECIFIED, ALL DIMENSIONS ARE IN mm			PROJECTION FIRST ANGLE 	 a DOVER company MOUVEX Z.I. Plaine des Isles Rue des Caillottes 89000 AUXERRE - FRANCE ☎ (33) 3.86.49.86.30 - 📠 (33) 3.86.46.42.10
DRAWN	RVB	2020-07-07		
APPV'D	FP	2023-01-17	WEIGHT: SEE NOTE SCALE: 1:5 DO NOT SCALE DRAWING	DRAWING N°: <b>M001777A4</b> REV: <b>B</b>
<small>THIS DOCUMENT CONTAINS PROPRIETARY INFORMATION OF PSG - A DOVER COMPANY. ITS RECEIPT AND POSSESSION DO NOT CONVEY ANY RIGHTS TO REPRODUCE OR DISCLOSE ITS CONTENTS OR TO MANUFACTURE OR SELL ANYTHING IT MAY DESCRIBE. THIS DOCUMENT IS SUBJECT TO RETURN UPON REQUEST. REPRODUCTION, DISCLOSURE OR USE OF THIS DOCUMENT WITHOUT THE WRITTEN AUTHORIZATION OF DOVER CORPORATION IS STRICTLY FORBIDDEN.</small>				SIZE : A3 SHEET 1 OF 1