

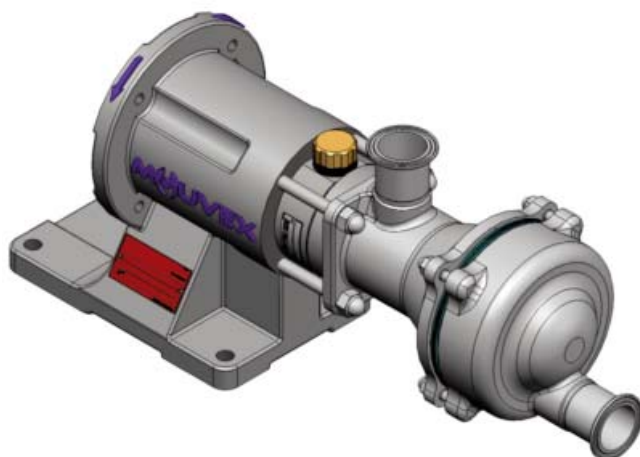


INSTRUCTIONS 1004-F00 e

Section	1004
Effective	September 2018
Replaces	October 2017

Original instructions

SLS1 i - SLS2 i - SLS3 i ***PUMPS***



INSTALLATION

OPERATION

MAINTENANCE

WARRANTY :

SL Series pumps are covered 24 months by warranty within the limits mentioned in our General Sales Conditions. In case of a use other than that mentioned in the Instructions manual, and without preliminary agreement of MOUVEX, warranty will be canceled.



Z.I. La Plaine des Isles - F 89000 AUXERRE - FRANCE
Tel. : +33 (0)3.86.49.86.30 - Fax : +33 (0)3.86.49.87.17
contact@mouvex.com - www.mouvex.com

Your distributor :

ECCENTRIC DISC PUMP

MOUVEX PRINCIPLE

SAFETY INSTRUCTIONS, STORAGE, INSTALLATION AND MAINTENANCE

MODELS : SLS1 i - SLS2 i - SLS3 i

TECHNICAL CHARACTERISTICS

- Maximum pump speed : **1000 rpm**
- Running temperatures :
 - ambient -15°C → + 40°C
 - continuous pumped product -15°C → +110°C
 - washing / rinsing / sterilisation product 0°C → +121°C
 - heating fluid (jacket) -15°C → +180°C
- Maximum suction pressure :
 - In normal use, the suction pressure must be higher than the required NPSH and **less than 1,5 barg** (21,7 psig).
 - During pump **CIP/SIP**, the suction pressure must not exceed **3 barg** (43,5 psig).
 - With pump **stopped**, the pressure must not exceed **6 barg** (87 psig).
- Acceptable maximal differential pressure :
 - SLS1 16 bar* (232 psi)
 - SLS2 10 bar* (145 psi)
 - SLS3 6 bar* (87 psi)
- Maximum pressure jacket : **5 barg** (72,50 psig)
- Displacement :
 - SLS1 0,017 liter
 - SLS2 0,034 liter
 - SLS3 0,051 liter
- Volume :
 - Suction 0,43 liter
 - Discharge 0,16 liter
 - Total 0,59 liter (0,036 US gallons)

* When the pump works with an inlet gauge pressure less than zero, the maximum outlet pressure will be calculated as if the inlet pressure is equal to zero.

Definition of safety symbols



This is a SAFETY ALERT SYMBOL.

When you see this symbol on the product, or in the manual, look for one of the following signal words and be alert to the potential for personal injury, death or major property damage.



Warns of hazards that **WILL** cause serious personal injury, death or major property damage.



Warns of hazards that **CAN** cause serious personal injury, death or major property damage.



Warns of hazards that **CAN** cause personal injury or property damage.

NOTICE

Indicates special instructions which are very important and must be followed.

USED PRESSURE UNITS

Unit without suffix :

Differential pressure, for example, pressure difference between equipment suction and discharge.

Unit with suffix "a" :

Absolute pressure.

Unit with suffix "g" :

Gauge pressure, given regarding to atmospheric pressure (~101325 Pa, taken at 1 bar / 14,5 psi in this IOM).

Example :

$P_{suc} = -0,2 \text{ barg} = 0,8 \text{ bara}$

$P_{dis} = 8,8 \text{ barg} = 9,8 \text{ bara}$

$\Delta P = P_{dis} - P_{suc} = 9 \text{ bar}$

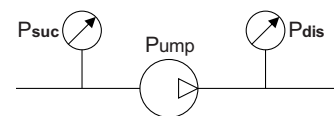


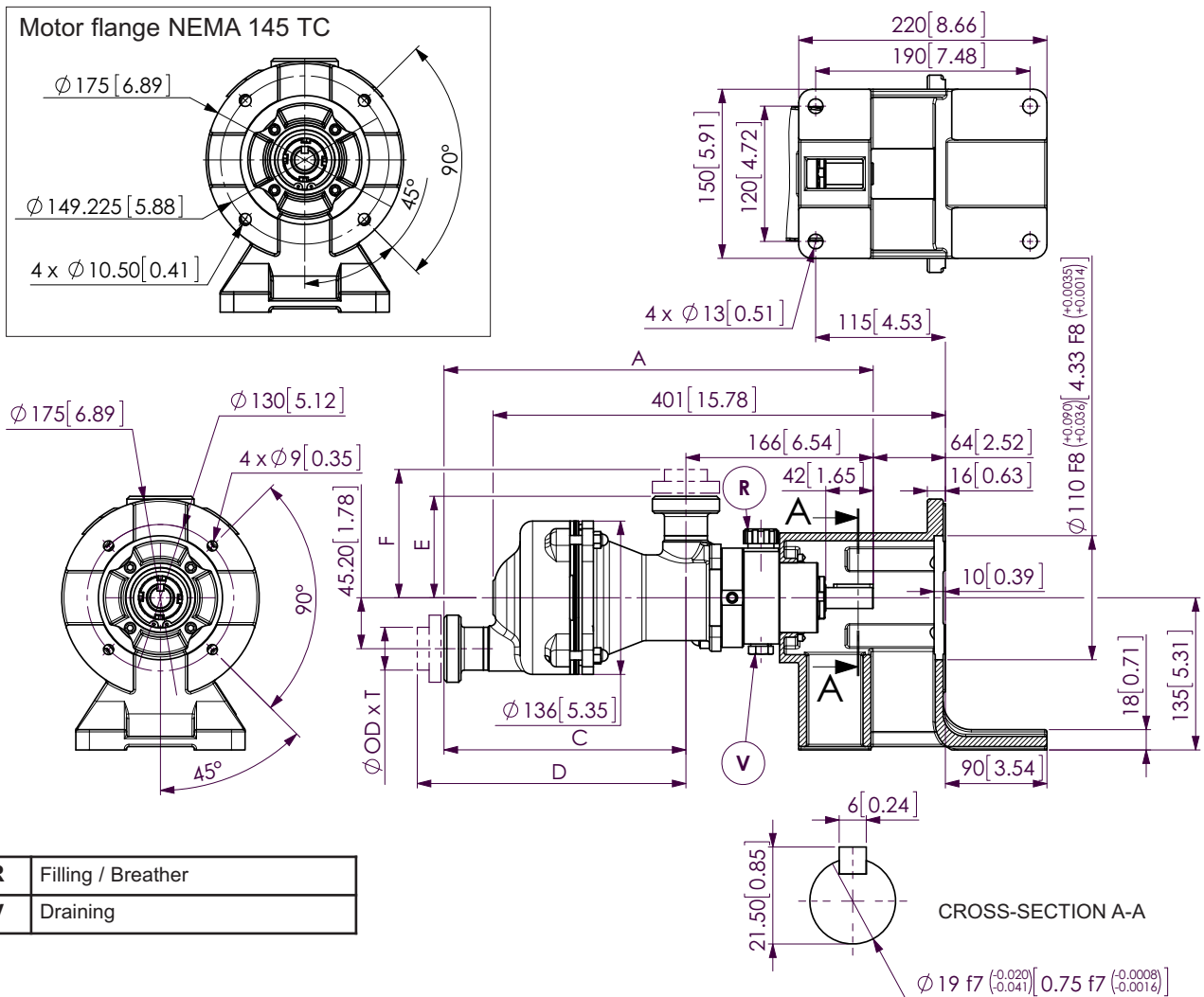
TABLE OF CONTENTS

Page

1.	OVERALL DIMENSIONS	3
2.	INSTALLATION	15
2.1	Installation design	15
2.2	Orientation of the pump ports	16
2.3	Direction of rotation	16
2.4	Protection of the installation and the pump	17
2.5	Unit Assembly	17
3.	USE	19
3.1	Noise level	19
3.2	Commissioning	19
3.3	Dry running	19
3.4	Stopping the pump	19
3.5	Bellows monitoring	19
3.6	Scrapping	19
4.	CLEAN IN PLACE (CIP) & STERILISATION IN PLACE (SIP)	20
4.1	General	20
4.2	CIP circuit recommended	20
4.3	Pumps arranged in series	20
4.4	Pumps arranged in parallel	21
4.5	Successive cycles	22
4.6	Sterilisation In Place (SIP)	22
5.	MAINTENANCE	23
5.1	Necessary tools	23
5.2	Pump disassembly	23
5.3	Checking the cylinder/piston couple	26
5.4	Reassembling the pump	26
5.5	Transmission disassembly/reassembly	29
6.	CHECKING THE BELLOWS	30
7.	DRAINING THE BEARING	31
8.	STORAGE	32
8.1	Short duration (≤ 1 month)	32
8.2	Long duration (> 1 month)	32
8.3	Restarting	32
9.	TROUBLESHOOTING	33
10.	CERTIFICATE OF CONFORMITY	35

1. OVERALL DIMENSIONS

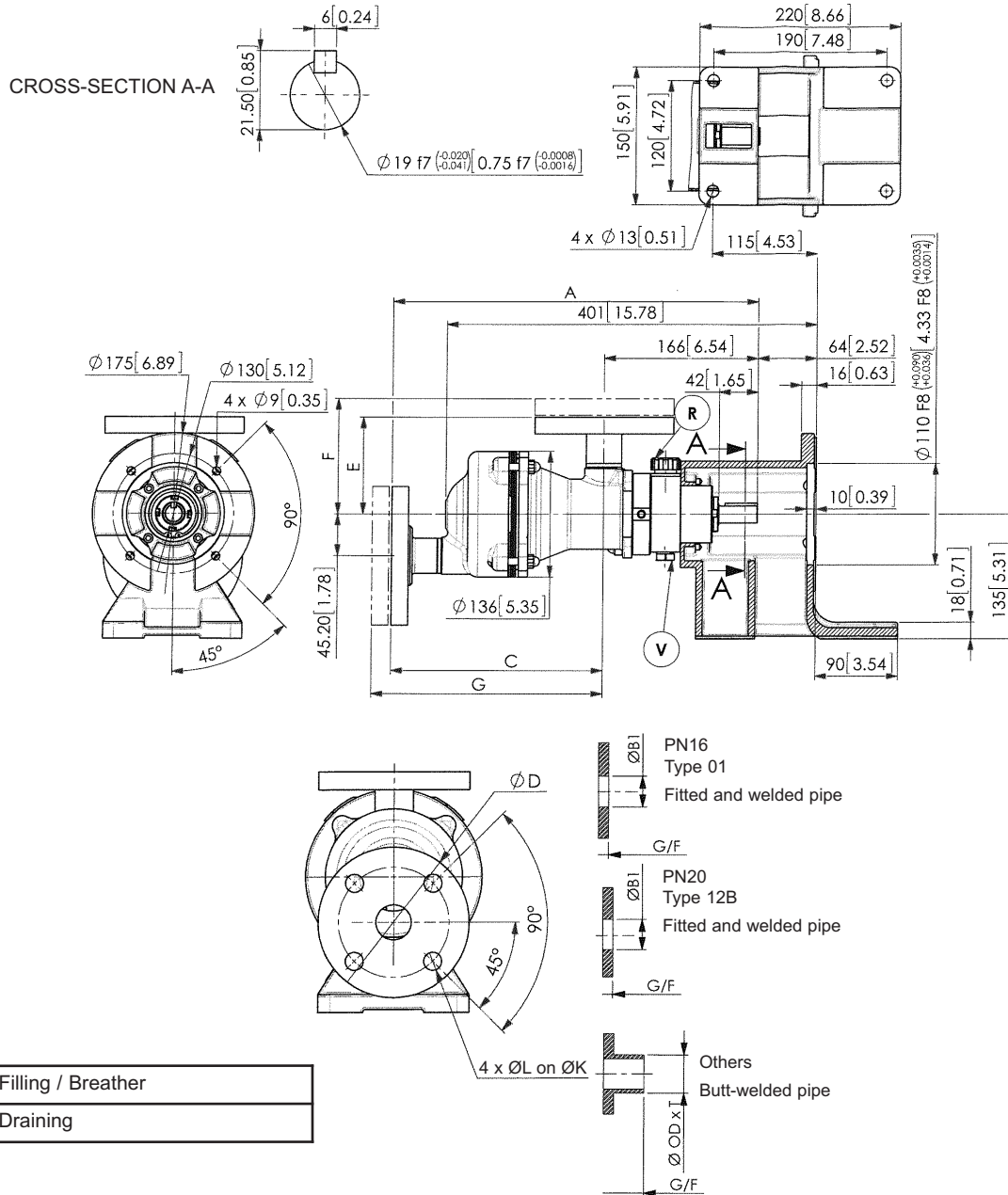
Pumps SLS1 - SLS2 - SLS3 with connections



Raccords (Connections)	Dimensions en mm [pouces] (Dimensions in mm [inches])								Masse-kg- (Weight-lb-)
	DN	$\phi OD \times T$	Interchangeabilité (Interchangeability)	A	C	D	E	F	
SMS 1145	38 [1,496]	38 x 1,25 [1,496 x 0,049]	sans (without)	380,5 [14,98]	214,5 [8,445]	235 [9,252]	90 [3,543]	110 [4,331]	19 [42]
			C1	380,5 [14,98]	214,5 [8,445]	235 [9,252]	98 [3,858]	118 [4,646]	
			C2	387 [15,236]	221 [8,701]	241,5 [9,508]	98 [3,858]	118 [4,646]	
CLAMP ISO 2852	38 [1,496]	38,6 x 1,5 [1,52 x 0,059]	sans (without)	380,5 [14,98]	214,5 [8,445]	235 [9,252]	90 [3,543]	110 [4,331]	19 [42]
			C1	380,5 [14,98]	214,5 [8,445]	235 [9,252]	98 [3,858]	118 [4,646]	
			C2	387 [15,236]	221 [8,701]	241,5 [9,508]	98 [3,858]	118 [4,646]	
CLAMP ASME BPE 2009	38 [84]	38,6 x 1,5 [86] x [4]	sans (without)	380,5 [14,98]	214,5 [8,445]	235 [9,252]	90 [3,543]	110 [4,331]	19 [42]
DIN 11851	40 [1,575]	43 x 2,5 [1,693 x 0,098]	sans (without)	380,5 [14,98]	214,5 [8,445]	235 [9,252]	90 [3,543]	110 [4,331]	19 [42]
			C1	380,5 [14,98]	214,5 [8,445]	235 [9,252]	98 [3,858]	118 [4,646]	
			C2	387 [15,236]	221 [8,701]	241,5 [9,508]	98 [3,858]	118 [4,646]	

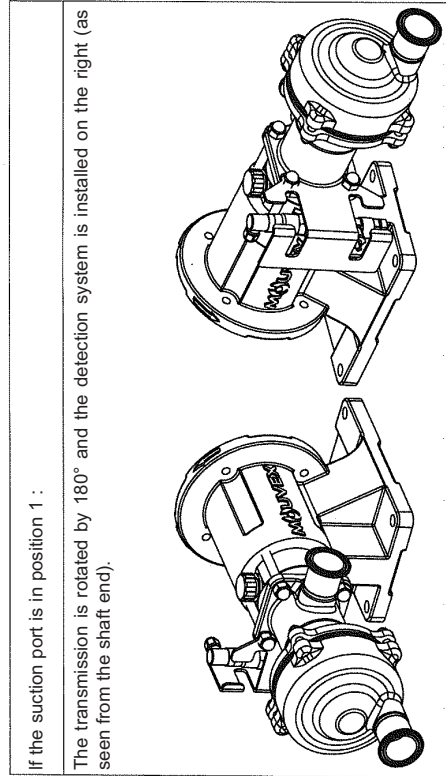
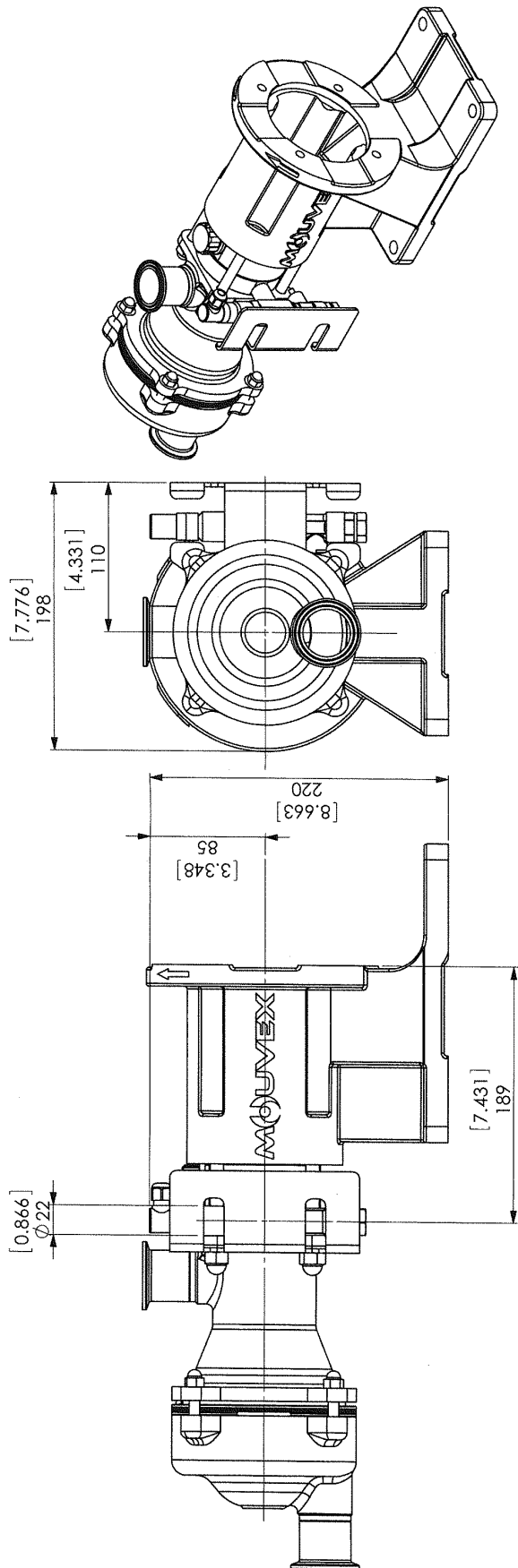
1. OVERALL DIMENSIONS (continued)

Pumps SLS1 - SLS2 - SLS3 with flanges



Brides (Flanges)	Dimensions en mm [pouces] (Dimensions in mm [inches])											Masse-kg- (Weight-lb-)	
	DN	ϕD	$\phi OD \times T$	ϕL	ϕK	$\phi B1$	Interchangeabilité (Interchangeability)	A	C	E	F		G
DIN 11864 BF-A-DN40	40 [1,575]	82 [3,228]	41 x 1,5 [1,614 x 0,059]	9 [0,354]	65 [2,559]	-	sans (without)	380,5 [14,98]	214,5 [8,445]	90 [3,543]	114 [4,488]	238,5 [9,39]	23 [51]
							C1	380,5 [14,98]	214,5 [8,445]	98 [3,858]	122 [4,803]	238,5 [9,39]	
							C2	387 [15,236]	221 [8,701]	98 [3,858]	122 [4,803]	245 [9,646]	

Pumps SLS1 - SLS2 - SLS3 with pressure switch



If the suction port is in position 1 :

The transmission is rotated by 180° and the detection system is installed on the right (as seen from the shaft end).

NOTE :

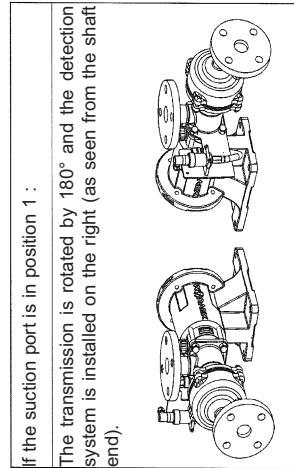
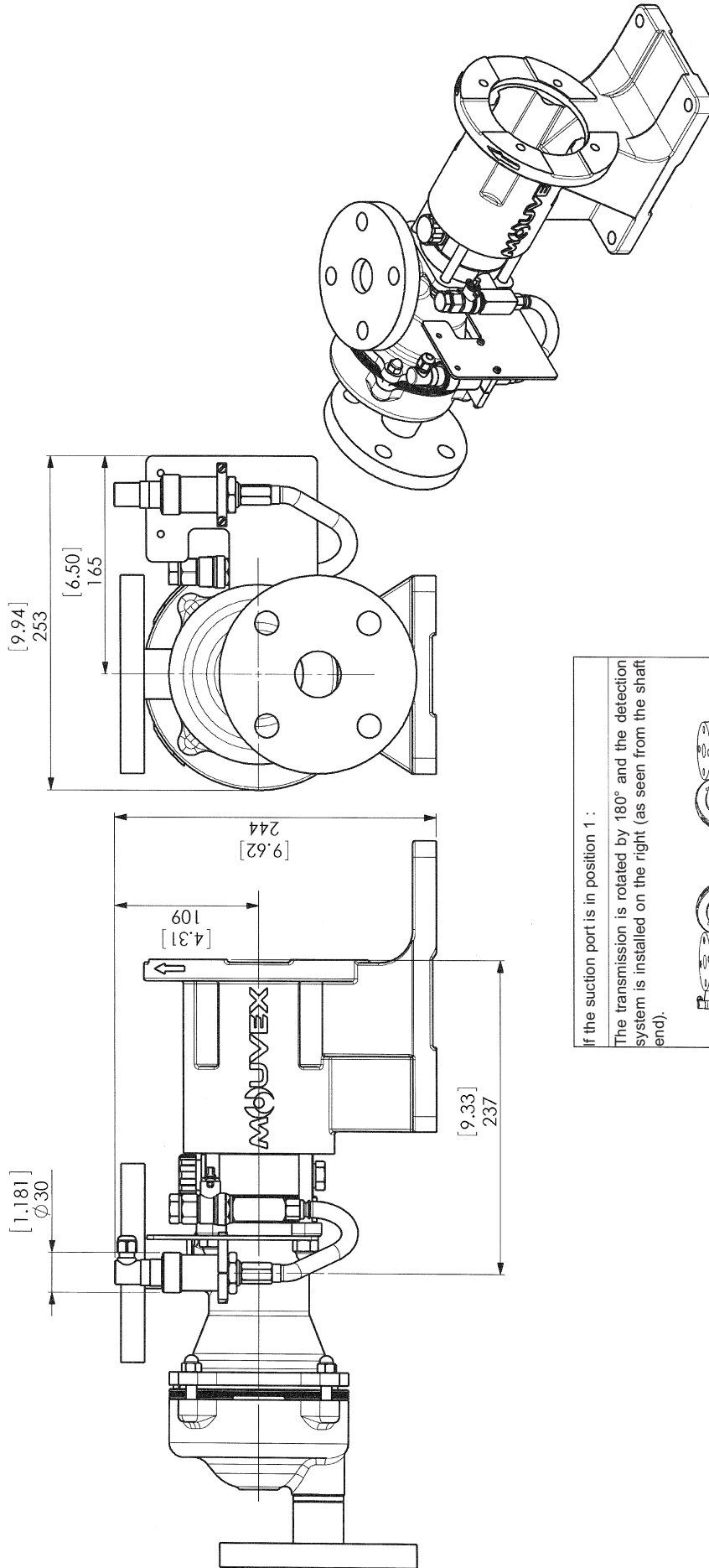
For the other dimensions, refer to the pump overall dimension drawing.
The detection bearings are adjusted in the plant and should not be modified.
The transmission may only be dismantled in the plant.
Pump weight : add 0.45 kg for the pressure switch.

1. OVERALL DIMENSIONS (continued)

Pumps SLS1 - SLS2 - SLS3 with ATEX pressure switch

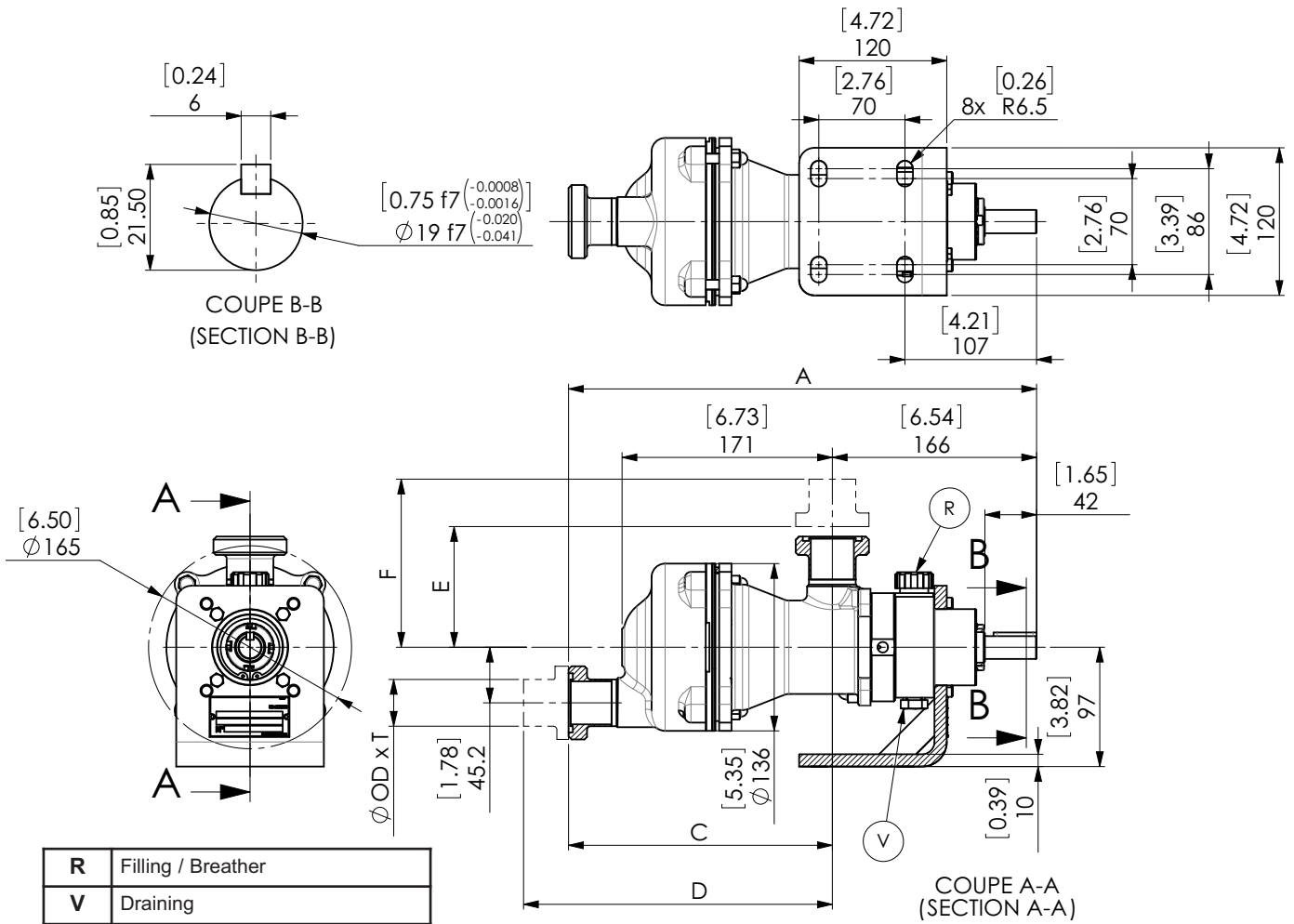
NOTE :

For the other dimensions, refer to the pump overall dimension drawing.
The detection bearings are adjusted in the plant and should not be modified.
The transmission may only be dismantled in the plant.
Pump weight : add 1 kg for the ATEX pressure switch.



1. OVERALL DIMENSIONS (continued)

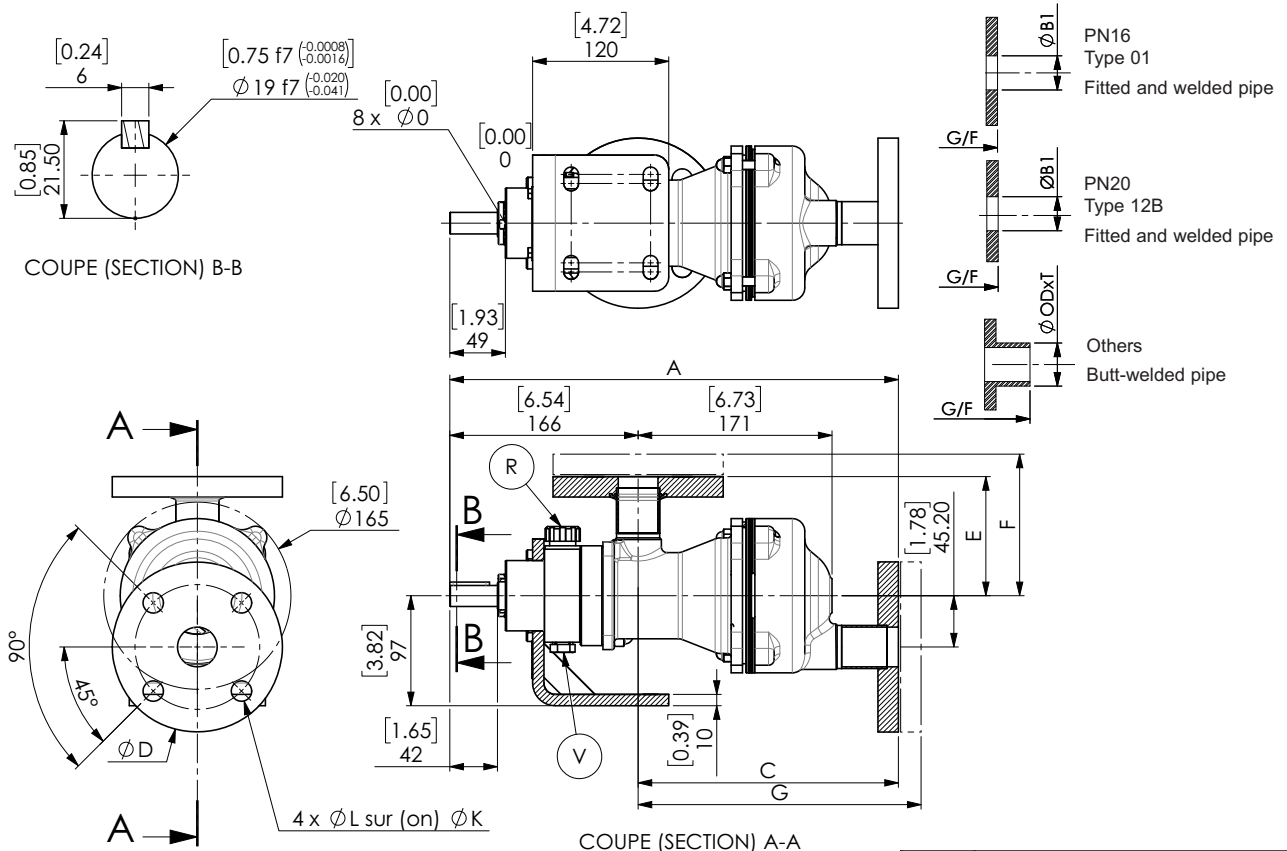
Pumps SLS1 - SLS2 - SLS3 Bended bracket with connections



Raccords (Connections)	Dimensions en mm [pouces] (Dimensions in mm [inches])								Masse-kg- (Weight-lb-)
	DN	ØOD x T	Interchangeabilité (Interchangeability)	A	C	D	E	F	
SMS 1145	38 [1,496]	38 x 1,25 [1,496 x 0,049]	sans (without)	380,5 [14,98]	214,5 [8,445]	235 [9,252]	90 [3,543]	110 [4,331]	13 [29]
			C1	380,5 [14,98]	214,5 [8,445]	235 [9,252]	98 [3,858]	118 [4,646]	
			C2	387 [15,236]	221 [8,701]	241,5 [9,508]	98 [3,858]	118 [4,646]	
CLAMP ISO 2852	38 [1,496]	38,6 x 1,5 [1,52 x 0,059]	sans (without)	380,5 [14,98]	214,5 [8,445]	235 [9,252]	90 [3,543]	110 [4,331]	13 [29]
			C1	380,5 [14,98]	214,5 [8,445]	235 [9,252]	98 [3,858]	118 [4,646]	
			C2	387 [15,236]	221 [8,701]	241,5 [9,508]	98 [3,858]	118 [4,646]	
CLAMP ASME BPE 2009	38 [84]	38,6 x 1,5 [86] x [4]	sans (without)	380,5 [14,98]	214,5 [8,445]	235 [9,252]	90 [3,543]	110 [4,331]	13 [29]
DIN 11851	40 [1,575]	43 x 2,5 [1,693 x 0,098]	sans (without)	380,5 [14,98]	214,5 [8,445]	235 [9,252]	90 [3,543]	110 [4,331]	13 [29]
			C1	380,5 [14,98]	214,5 [8,445]	235 [9,252]	98 [3,858]	118 [4,646]	
			C2	387 [15,236]	221 [8,701]	241,5 [9,508]	98 [3,858]	118 [4,646]	

1. OVERALL DIMENSIONS (continued)

Pumps SLS1 - SLS2 - SLS3 Bended bracket with flanges



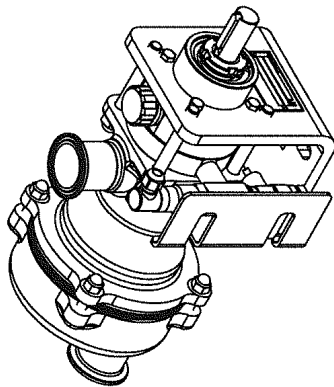
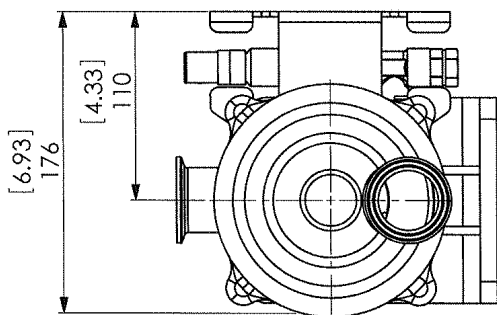
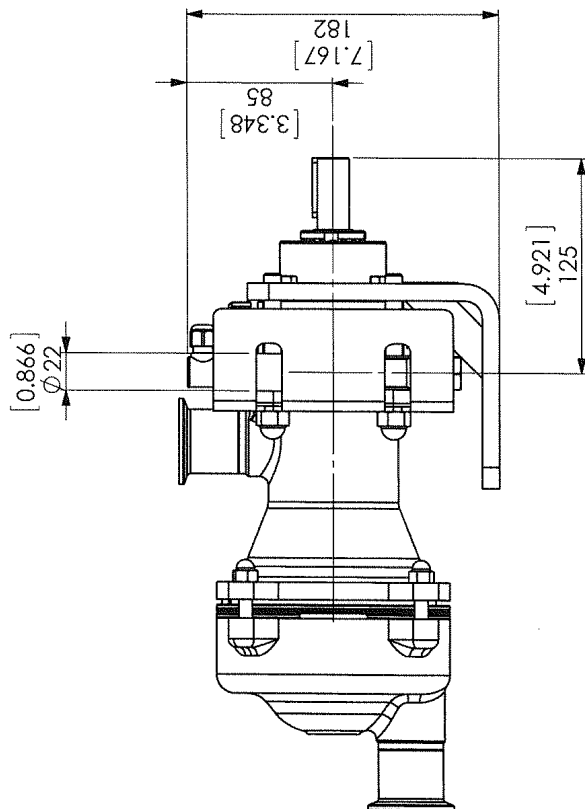
R	Filling / Breather
V	Draining

Brides (Flanges)	Dimensions en mm [pouces] (Dimensions in mm [inches])											Masse-kg- (Weight-lb-)	
	DN	ØD	ØOD x T	ØL	ØK	ØB1	Interchangeabilité (Interchangeability)	A	C	E	F		G
DIN 11864 BF-A-DN40	40	82	41 x 1,5	9	65	-	sans (without)	380,5 [14,98]	214,5 [8,445]	90 [3,543]	114 [4,488]	238,5 [9,39]	17 [38]
	[1,575]	[3,228]	[1,614 x 0,059]	[0,354]	[2,559]		C1	380,5 [14,98]	214,5 [8,445]	98 [3,858]	122 [4,803]	238,5 [9,39]	
								C2	387 [15,236]	221 [8,701]	98 [3,858]	122 [4,803]	

Pumps SLS1 - SLS2 - SLS3 Bended bracket with pressure switch

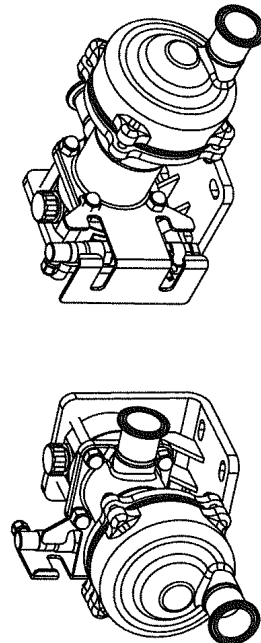
NOTE :

For the other dimensions, refer to the pump overall dimension drawing.
The detection bearings are adjusted in the plant and should not be modified.
The transmission may only be dismantled in the plant.
Pump weight : add 0,45 kg for the pressure switch.

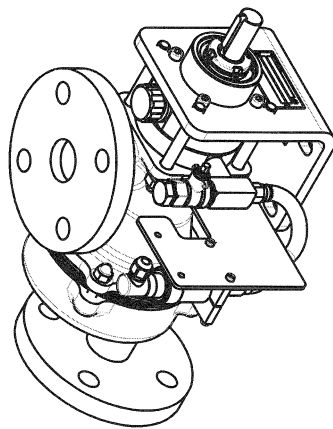
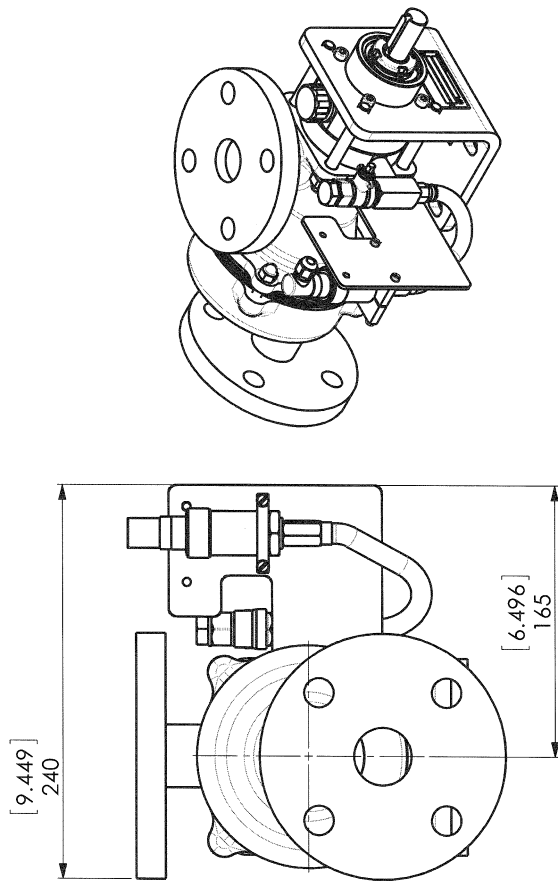
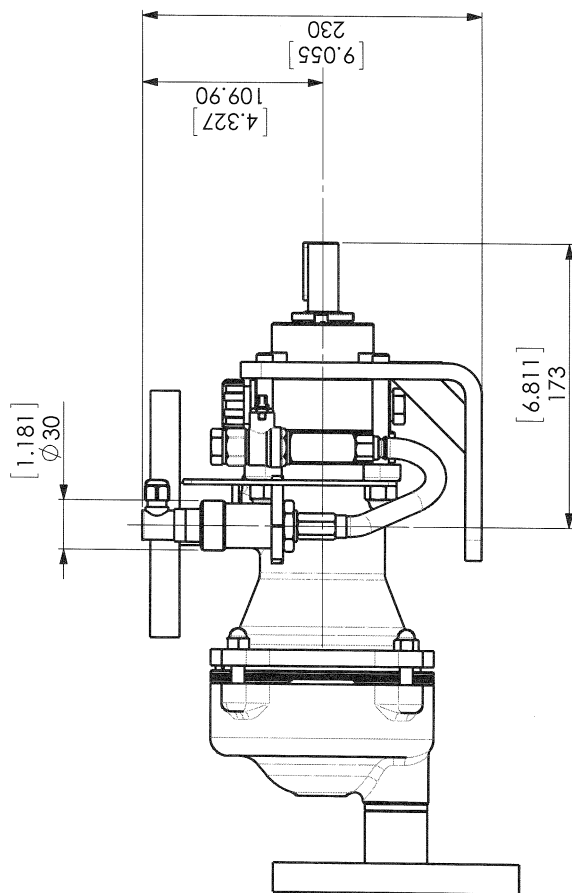


If the suction port is in position 1 :

The transmission is rotated by 180° and the detection system is installed on the right (as seen from the shaft end).

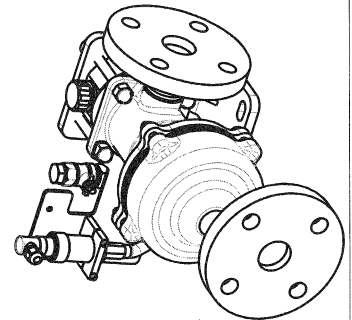


Pumps SLS1 - SLS2 - SLS3 Bended bracket with ATEX pressure switch



If the suction port is in position 1 :

The transmission is rotated by 180° and the detection system is installed on the right (as seen from the shaft end).

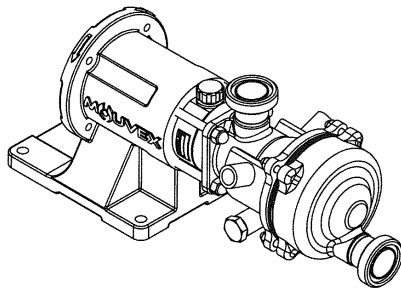
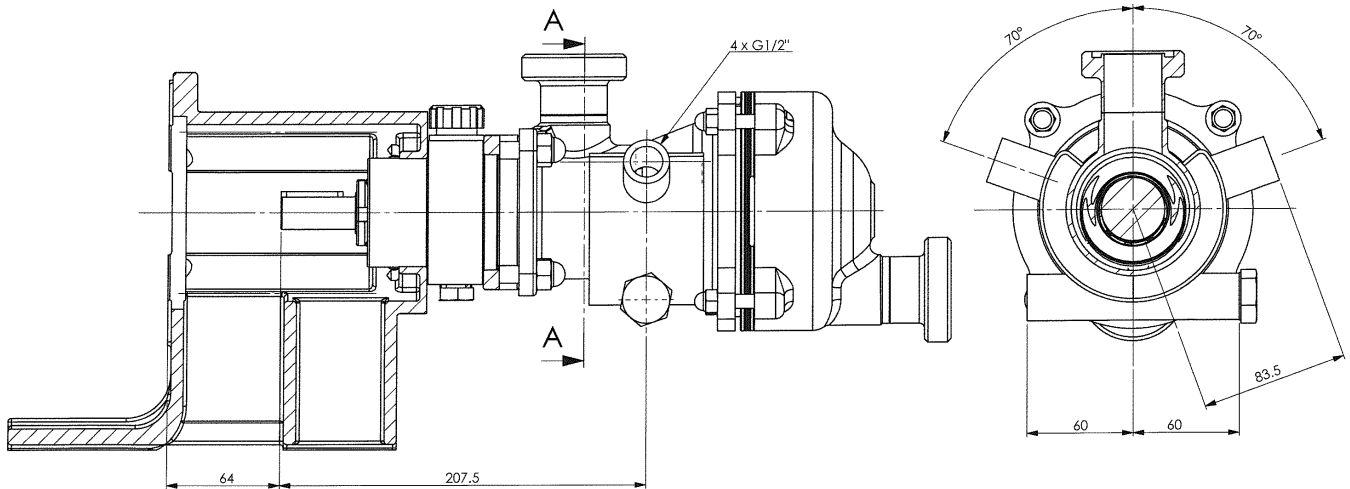


NOTE :

For the other dimensions, refer to the pump overall dimension drawing.
The detection bearings are adjusted in the plant and should not be modified.
The transmission may only be dismantled in the plant.
Pump weight : add 1 kg for the ATEX pressure switch.

1. OVERALL DIMENSIONS (continued)

Pumps SLS1 - SLS2 - SLS3 Heating jacket



NOTICE :

For the other sides, see the specific overall dimension plan for the connection.
Maximum jacket temperature : FKM and FEP encapsulated FKM seals : 180°C.

CAUTION :

The pumped product must not exceed the temperature of 110°C.

FOR ATEX PUMPS, SEE INSTRUCTIONS NR 1071.

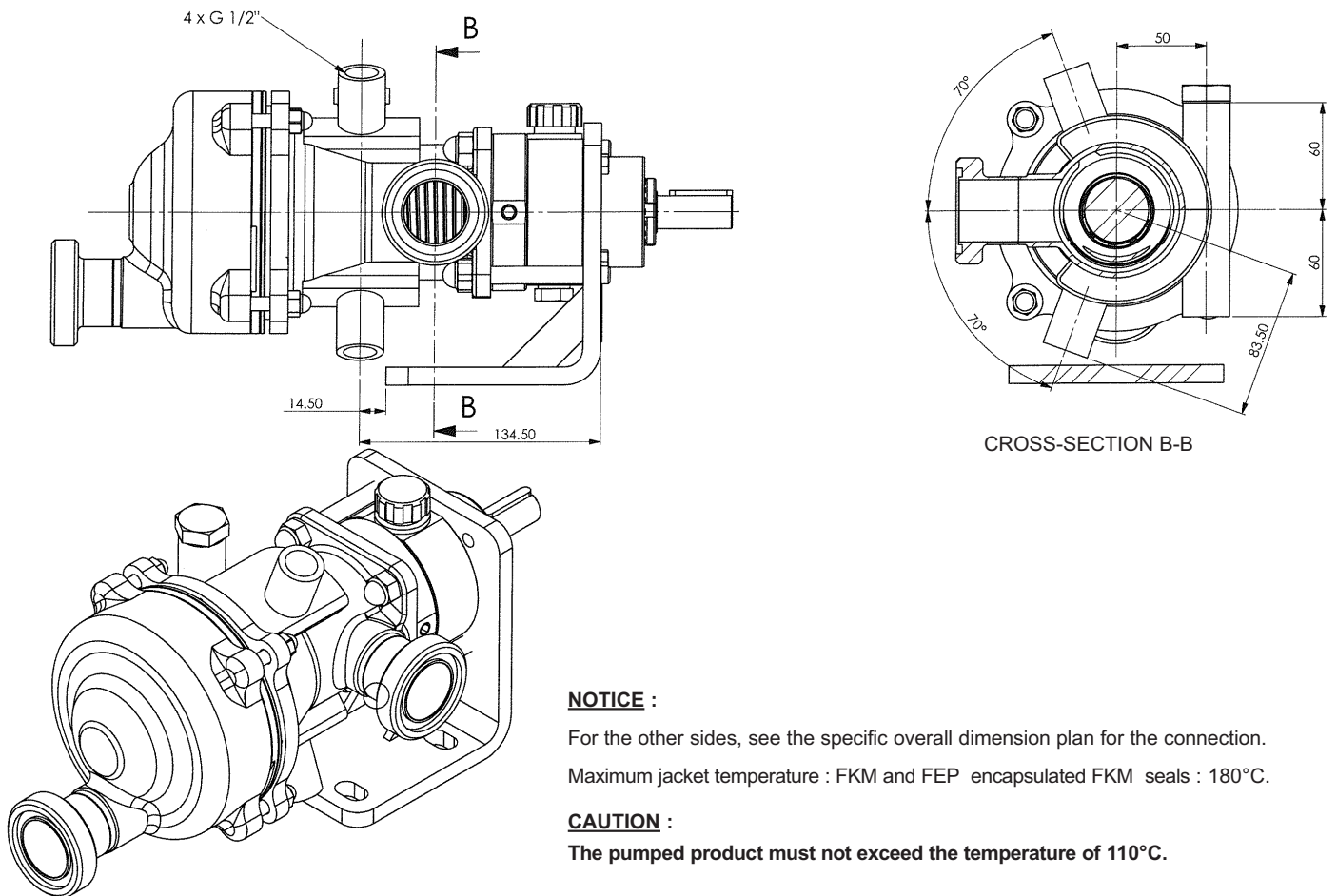
POSITION OF INLET CONNECTION : 2 (Standard) CONNECTION 1/2" B.S.P.F		
STEAM		OR
The entry connection may be connected to one or two points.		
LIQUID		OR
The exit connection may be connected to one or two points. If it is done at 1 point, purge the air at the second point.		
	POSITION OF INLET CONNECTION : 3	POSITION OF INLET CONNECTION : 1
STEAM		
LIQUID		

Connection

POSITION OF INLET CONNECTION : 4		
STEAM		OR
The exit connection may be connected to one or two points. If it is done at 1 point, purge the water at the second point.		
LIQUID		OR
The entry connection may be connected to one or two points. If it is done at 1 point, the warming up process will be less effective.		

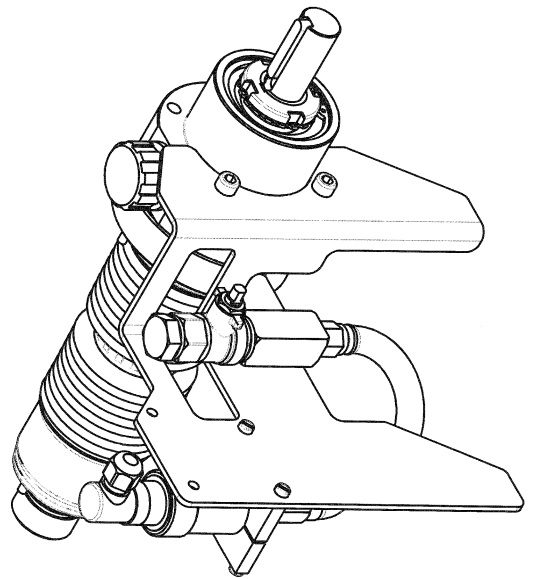
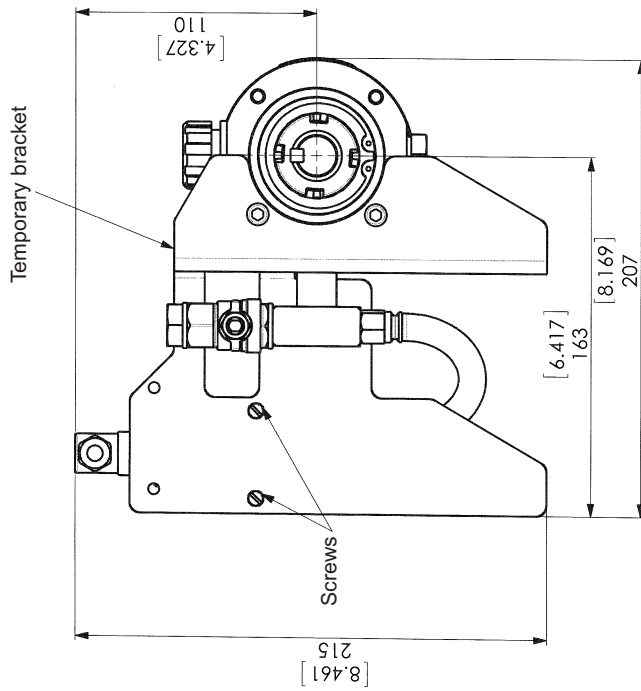
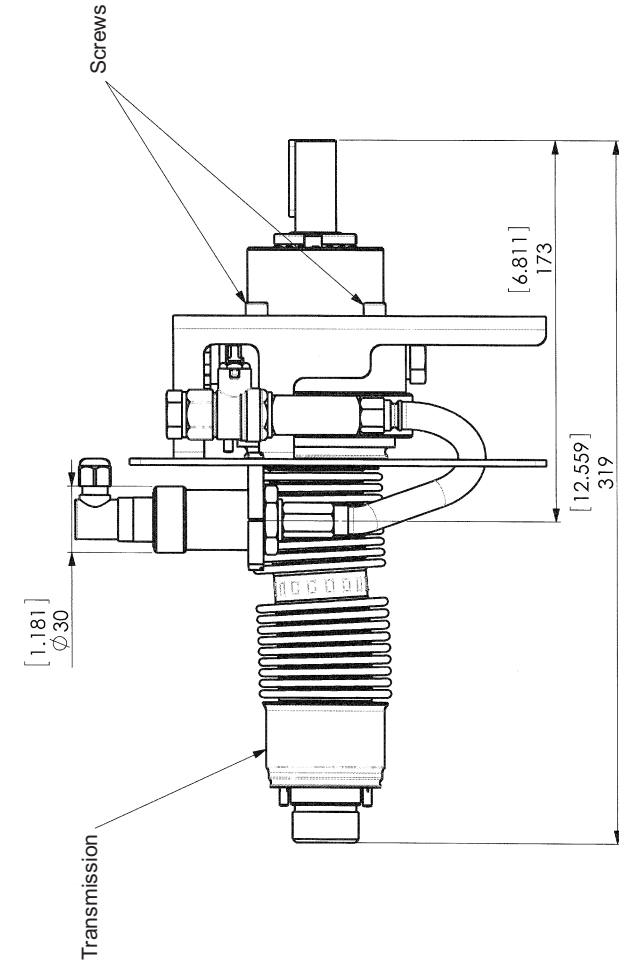
1. OVERALL DIMENSIONS (continued)

Pumps SLS1 - SLS2 - SLS3 Heating jacket Position 1 or 3 with bended bracket



1. OVERALL DIMENSIONS (continued)

Transmission SLS1 - SLS2 - SLS3 with ATEX pressure switch



**Version with pressure switch on the left.
It exists with pressure switch on the right.**

CAUTION :

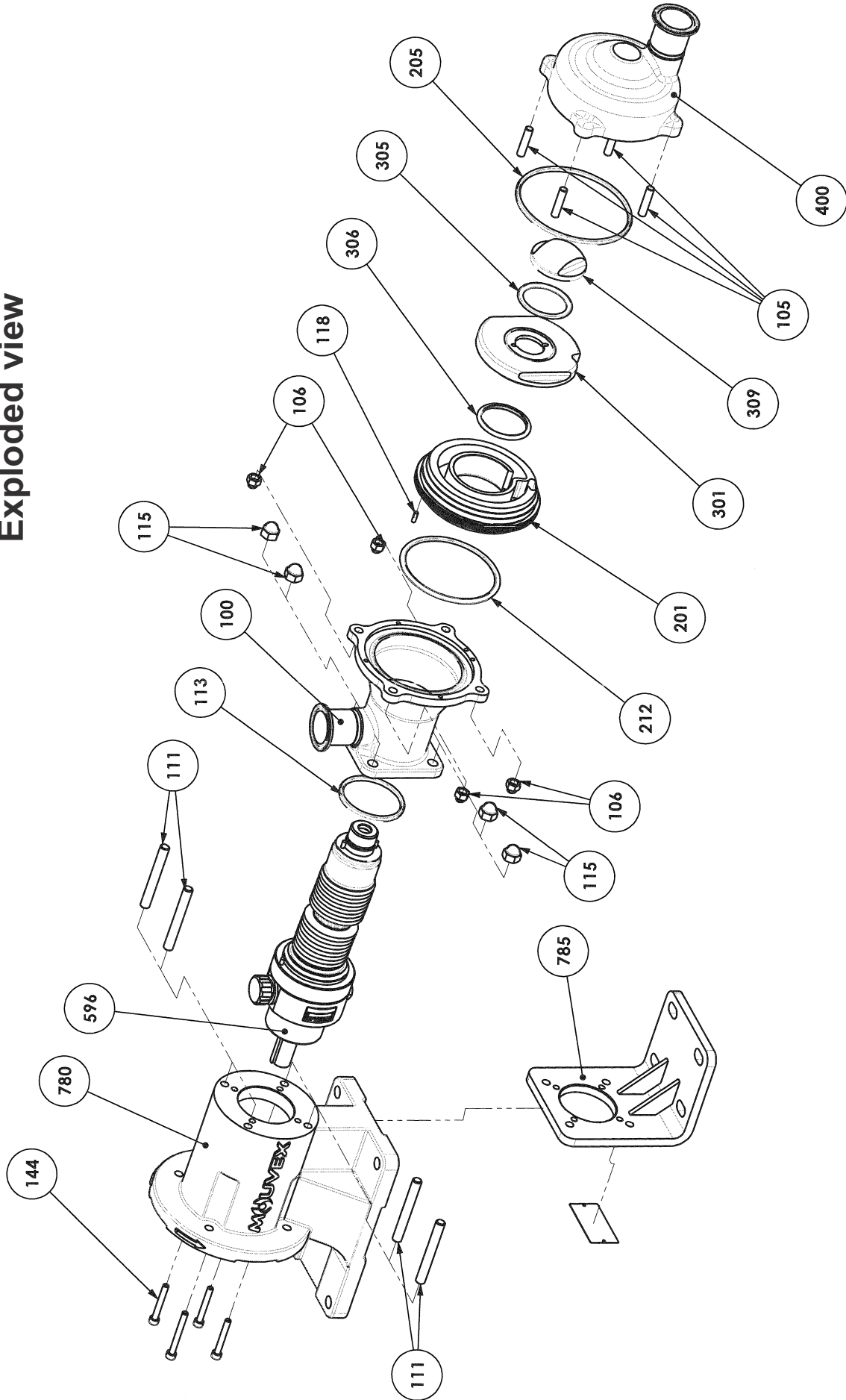
The pressure switch bracket must be removed at the last time up to the pump assembling.
Handle the sub-assembly with care.
Do not flex, knock, scratch or put the bellows or the flexible under torsion).

NOTE :

For pressure switch electrical connection, refer to pump with ATEX pressure switch dimensional drawing.
The detection bearings are adjusted in the plant and should not be modified.
The transmission may only be dismantled in the plant.


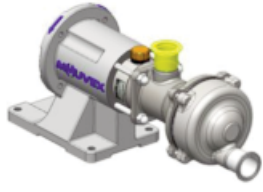
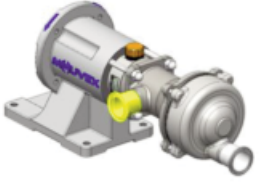
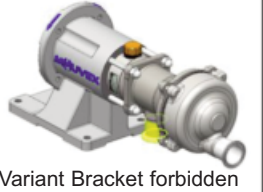




1. OVERALL DIMENSIONS (continued)

Pumps SLS1 - SLS2 - SLS3 Exploded view



2. INSTALLATION

POSSIBLE POSITIONS
Pumps with heating jacket : see § OVERALL DIMENSIONS - Heating jacket

INLET	1. 	2. STANDARD 	3. 	4.  <small>Variant Bracket forbidden</small>
OUTLET	1. 	2. 	3. 	4. STANDARD 




2.1 Installation design

2.1.1 Pump

To obtain the service expected from a MOUVEX pump, regarding both performance and longevity, it is vital that the type of pump, its speed and the materials used for its construction are determined as a function of the pump output, its installation and operating conditions.

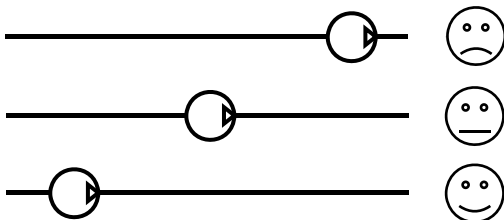
You can contact our Technical Services at any time to ask for the information you require.

2.1.2 Pipe

- Not recommended 
- To be avoided if possible 
- Recommended 

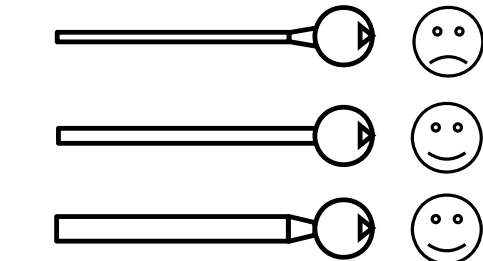
Suction pipe length

Length should be as short as possible.



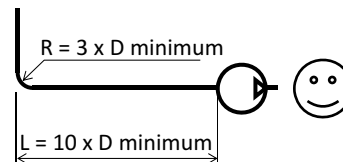
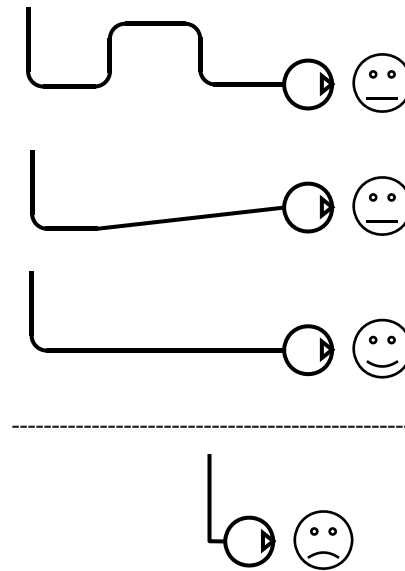
Suction pipe diameter

Diameter must be at least equal to pump port diameter and even more if required by pumping conditions.



Suction pipe configuration

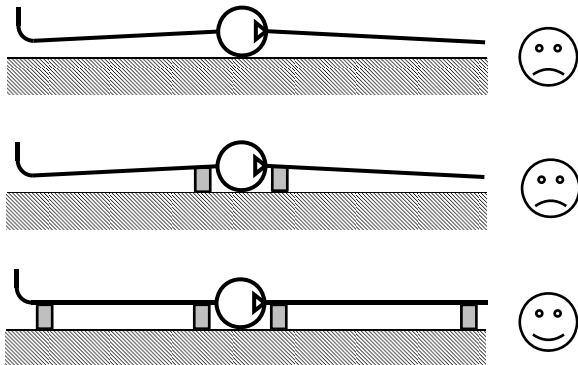
Check tightness to avoid accidental air intake.



2. INSTALLATION (continued)

Pipe alignment and supporting

Pump must not support piping nor endure stress resulting from piping weight or dilatation effects. For latters, expansion loops should be included.

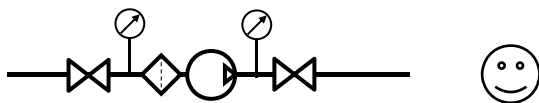


Pipe equipment

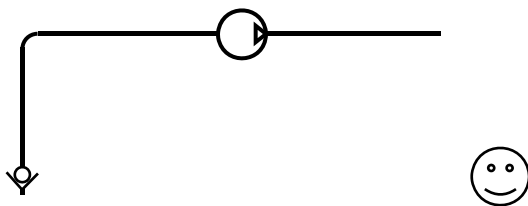
- Place valves close to the pump to avoid draining pipe during maintenance operations. Preferably select full bore ball or butterfly valves.

Pressure connections on pump suction and discharge are recommended for settings and controls.

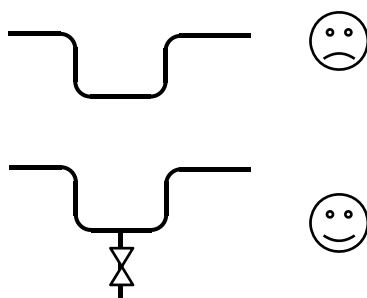
Make sure piping, vessels valves and other installation devices are carefully cleaned before mounting.



- MOUVEX pumps are self priming. However, if line emptying should be avoided and/or if suction lift is high, a foot valve can be added.



- If pumped liquid presents a risk of in pipe solidification and potential dilatation, low points on the pipe should be avoided or equipped with drain valve.



- If installation is heated, it must be designed so that fluid dilatation can evacuate through piping. Therefore fluid contained in piping must be heated before fluid contained in the pump. Also check that a heated pump is not isolated by closed valves.

The SLS Series pump is a selfpriming volumetric PD pump. Therefore, the pump must not run on a circuit with a closed valve. This is valid both for the suction circuit and for the discharge circuit.

The pump is designed to be attached to the end of a motor ; during assembly ensure that the half couplings are tightly and securely closed.

2.2 Orientation of the pump ports

The suction port and the discharge port may be oriented in various positions.

If, at installation, the positions of the ports have to be modified, refer to the PUMP DISASSEMBLY AND REASSEMBLY section.

NOTE

SLS pumps remain drainable whatever the chosen position of the suction port. However, the discharge port must be at the bottom (position 4) in order to ensure drainability.

2.3 Direction of rotation

When looking at the shaft, the rotation will be clockwise. An arrow situated on the lantern ring indicates the correct direction of rotation.



Verification of the correct rotation direction :

Run the pump at low speed.

Note : Running the pump in reverse will not damage it.



2. INSTALLATION (continued)



2.4 Protection of the installation and the pump



- Before any start-up or complete stopping of the pump, make sure the valves are open.
- During stop periods, with the pump full of product, either the suction or discharge circuit must be left open to enable expansion or contraction of the pumped product through reheating or cooling. If this instruction is not complied with, the bellows may be damaged and lead to premature failure.
- The bearing must remain ventilated. The breather mounted on the bearing must therefore be used. Never fit the plug.
- The stop time may lead to cooling of the product in the pump and therefore to an increase in viscosity. If this is the case, we recommend re-starting the pump at a speed adapted to this new viscosity (starting pump). Once the product arrives in the pump at the installation definition temperature, the pump may run at the speed specified for this application.
- Protection against excess pressure :

The pump must be protected against excess pressure. It can be delivered with a pressure switch to carry out.

If protection is provided by a control valve, check that the system does not generate excess pressure at the bellows (particularly if there are water hammers). This type of operation could damage the bellows and shorten its service life.

	WARNING
	INCORRECT SETTINGS OF THE PRESSURE RELIEF VALVE CAN CAUSE PUMP COMPONENT FAILURE, PERSONAL INJURY, AND PROPERTY DAMAGE.
Hazardous pressure can cause personal injury or property damage.	

	WARNING
	FAILURE TO INSTALL ADEQUATELY SIZED PRESSURE RELIEF VALVE(S) CAN CAUSE PROPERTY DAMAGE, PERSONAL INJURY OR DEATH.
Hazardous pressure can cause personal injury or property damage.	

	WARNING
	PUMPS OPERATING AGAINST A CLOSED VALVE CAN CAUSE SYSTEM FAILURE, PERSONAL INJURY AND PROPERTY DAMAGE.
Hazardous pressure can cause personal injury or property damage.	

• Protection against particles :

The pump and the installation must also be protected against any risk of damage through the passage of foreign bodies, by mounting a pre-filter at the pump suction.

In the event of foreseeable clogging of the pre-filter, we recommend using a vacuum switch to inform the user of pre-filter clogging. Prolonged running under cavitation may damage the pump.



The largest dimensions of the allowable particles in the pump are :



- Soft particles :4 mm
- Hard particles :2 mm

2.5 Unit Assembly

The following instructions apply to pumps delivered with a bare shaft and the bended bracket.

2.5.1 INSTALLATION OF UNITS

	WARNING
	BE CAREFUL WITH THE WEIGHT OF THE PARTS WHEN THEY ARE BEING REMOVED.
The weight of the parts can be dangerous and may provoke bodily injuries or material damages.	

	WARNING
	DISCONNECT THE ELECTRICITY SUPPLY BEFORE ANY MAINTENANCE OPERATION.
Dangerous voltage. Can cause injury and death.	

The base below the unit is fundamental to ensuring correct operation and long service life.

The unit's base must be flat, level and sufficiently resistant to absorb the stresses caused by the motor-driven pump unit without deformation (if it is made of concrete, it must comply with the BAEL 91 standard).

If the unit is fastened using securing lugs or bolts, it must be carefully wedged to avoid deforming the frame while the bolts are tightened. A deformed frame would apply damaging stresses on the pump and the drive mechanism and misalign the coupling, causing vibrations, noise and premature wear. Ensure that the frame is well above the floor, except from the support plates.



If the unit is to be used in a food environment, support plates that allow the unit to be lifted for easier cleaning are recommended.



2. INSTALLATION (continued)

Allow, if possible, a clear space of approximately 50 cm on each side of the motor-driven pump unit (overall dimensions) to facilitate cleaning and give access if necessary to the pump, reduction gear and motor fastening nuts. In all cases, the dimensions around the motor-driven pump unit must be designed to give the space required for dismantling the pump (if the need arises, use the values given on the overall dimension drawing).

For staff and equipment protection, the frame includes a ground connection point that should be used.

2.5.2 ALIGNMENT OF THE MOTOR/PUMP OR REDUCTION GEAR/PUMP SHAFTS

	WARNING
	<p>IF OPERATED WITHOUT THE SHAFT GUARD, THERE IS CONSIDERABLE RISK OF SEVERE PERSONAL INJURY, SIGNIFICANT PROPERTY DAMAGE OR EVEN DEATH.</p>
<p>Do not operate without guard in place.</p>	

	WARNING
	<p>DISCONNECT THE ELECTRICITY SUPPLY BEFORE ANY MAINTENANCE OPERATION.</p>
<p>Dangerous voltage. Can cause injury and death.</p>	

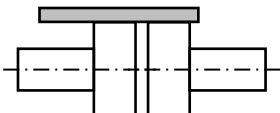
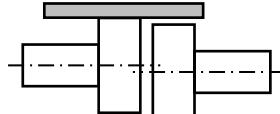
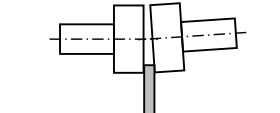
NEVER START A UNIT IF THE COUPLING ALIGNMENT IS INCORRECT. THIS IS A CONDITION OF OUR GUARANTEE.

REMINDER :

Coupling must never be used to compensate for a misalignment.

To control the alignment between the coupling and the shaft, use a straight-edge for concentricity and thickness gauges for angular misalignment (see instructions of the coupling for authorised values).

The 3 figures below show in detail the operation and the possible defects :

<p><i>Carry out the control at four points : at the top - at the bottom - left - right</i></p>	
	<p><i>Correct</i></p>
	<p><i>Bad alignment</i></p>
	<p><i>Angular fault</i></p>



Controlling the alignment at each stage of the installation is important to be sure that none of these stages have generated stresses on the unit or the pump :

- after fastening on the foundations
- after fastening the pipes
- after the pump has been operated at the normal operating temperature

Where the pumps are supplied assembled as a unit, the motor and pump shafts have been perfectly aligned in the factory before delivery, but they must be systematically controlled on acceptance at the site and realigned if necessary.

To do this, do not modify the wedging of the various parts, but check the flatness of the support surface and use the adjustable foot to clear the frame of stresses that could affect it.

2.5.3 ELECTIC MOTORS

	WARNING
	<p>DISCONNECT THE ELECTRICITY SUPPLY BEFORE ANY MAINTENANCE OPERATION.</p>
<p>Dangerous voltage. Can cause injury and death.</p>	



Check the compatibility of the instructions on the motor with the supply voltage.



Follow the wiring diagram, use wiring that is appropriate for the power and be particularly careful about the contacts which must be well tightened.

The motors should be protected with circuit breakers and suitable fuses. Connect the regulatory electrical grounding.



2. INSTALLATION (continued)

2.5.4 CONTROL OF THE SENSE OF ROTATION

 WARNING	<p>TAKE ALL NECESSARY MEASURES TO RENDER ANY START-UP, EVEN ACCIDENTAL, OF THE PUMP DURING THE WORK IMPOSSIBLE.</p>
	
<p>Any unforeseen start-up can cause serious injuries or important</p>	

 WARNING	<p>IT IS IMPERATIVE THAT THE HYDRAULIC PRESSURE IS RELEASED BEFORE EACH MAINTENANCE OPERATION TO AVOID PERSONAL INJURY OR MATERIAL DAMAGE</p>
	
<p>Hazardous pressure can cause personal injury or property damage.</p>	

This pump can contain test product residues. If necessary, clean the pump before using it.

 WARNING	<p>IF OPERATED WITHOUT THE SHAFT GUARD, THERE IS CONSIDERABLE RISK OF SEVERE PERSONAL INJURY, SIGNIFICANT PROPERTY DAMAGE OR EVEN DEATH.</p>
	
<p>Do not operate without guard in place.</p>	

This control needs to be done with no liquid pumped through the pump, and both the suction and discharge circuits venting to avoid generating unexpected pressure (at the suction side, for example). This will ensure that the control will not damage either the pump or the installation.

Start the pump empty to check that the connections are good and that the direction of rotation corresponds to the suction and discharge direction on the installation. If it is necessary to reverse the direction of rotation, follow the instructions below :

Three-phase motor : switch any 2 current input wires.

Bi-phase motor : switch two same phase wires.

Single-phase motor : follow the instructions on the notice supplied with the motor.

3. USE

3.1 Noise level

The sound level of a pump is greatly influenced by its conditions of use. Cavitation and pumping products with high gas contents generally increases the sound level.

Under the following pumping conditions :

- excluding cavitation
- max. differential pressure :
 - SLS116 bar (232,11 psi)
 - SLS210 bar (145 psi)
 - SLS36 bar (87 psi)
- speed of rotation 1000 rpm
- product viscosity of 1 cSt

The sound level reached for a SLS pump in good working condition without the drive is lower than 75 dB(A).

3.2 Commissioning

Make sure that the circuit valves are open before starting the pump.

To avoid any risk of polluting the pumped product, rinse the whole installation before starting-up so as to eliminate any contaminants that may remain in the piping, tanks etc. at the time of assembly.

For any pure water pumping during process or cleaning operations, consult MOUVEX imperatively.

3.3 Dry running

The SLS pump is self priming and is able to empty the pipes. To do this, it can run dry for a maximum duration of 5 minutes.

For ATEX, see Instructions 1071.

3.4 Stopping the pump

So as not to damage the pump, make sure that the pump is completely stopped before closing the valves.

3.5 Bellows monitoring

Failure of the bellows manifests itself as a liquid leakage at the vent (see overall dimensions drawing), when the suction is in positive pressure (> P atmospheric). The vent must remain in the open air at atmospheric pressure (life time of the bellows will be reduced if the vent is closed).

If the pump is equipped with a bellows monitoring system, a failure leads to detection of a pressure drop. See Instructions 1011-S00.

3.6 Scrapping

The pump must be scrapped in compliance with the regulations in force.

During this operation, particular care must be paid to the drainage stages of the pump (pumped product) and of its transmission (lubricant).

4. CLEAN IN PLACE (CIP) & STERILISATION IN PLACE (SIP)

4.1 General

On-site cleaning (CIP) of an installation is undertaken by circulating various cleaning solutions through the equipment parts.

An automated CIP system enables :

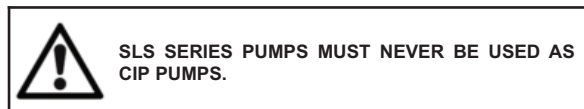
- Preparation of the appropriate concentrations for the different cleaning solutions.
- Re-Heating of certain cleaning solutions at the optimum temperature.
- Circulation of the different solutions through the equipment parts to be cleaned.
- Cleaning and drying of the equipment parts.

For the most part, automated CIP systems are an integral part of process equipments.

Before starting CIP and if the process has not been followed by a water flush, care must be taken that a minimum of residual products remains in the piping and in the pump. The SLS pumps, thanks to their excellent suction and compression capabilities, enable the quantities of residual products to be reduced. This minimises loss of products, eases cleaning and reduces cycle times.

The SLS pumps are perfectly adapted to all processes using CIP. SLS pump has been successfully tested for in place cleanability according to EHEDG document n°2. By complying with the installation rules described above, these pumps will give you complete satisfaction over a long period of time.

The start of CIP must immediately follow the end of the process to avoid any clogging or untimely drying.



Non-compliance with these instructions will lead to rapid deterioration of the cylinder/piston pair.

4.2 CIP circuit recommended

In all cases, the pressure at the pump inlet during cleaning **must not exceed 3 barg** (43,5 psig).

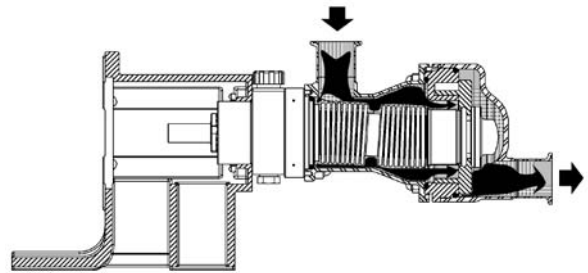
The flow through the pump required for optimal cleaning is **10 m³/h**.

This flow corresponds to difficult cleaning (sticky and viscous products). It can be reduced for easier types of cleaning.

4.3 Pumps arranged in series

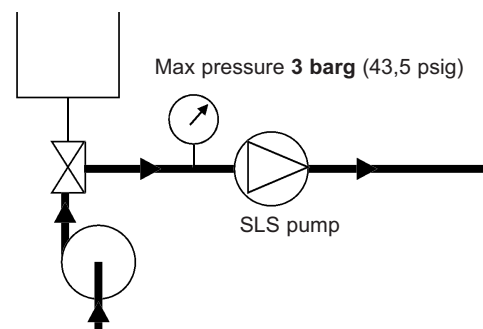
This type of assembly is preferred in all cases. It ensures optimal cleaning for the pump and makes use of the special design of the SLS, i.e. the possibility of lifting the piston with the cleaning product.

As the pressure at the pump inlet is higher than that at its outlet, the piston lifts from the cylinder and permits the passage of all the cleaning liquid through the SLS pump.



- A centrifuge pump is used for CIP cycles. This centrifugal pump is placed upstream of the SLS pump.

The centrifuge pump must be installed in line with the SLS pump.

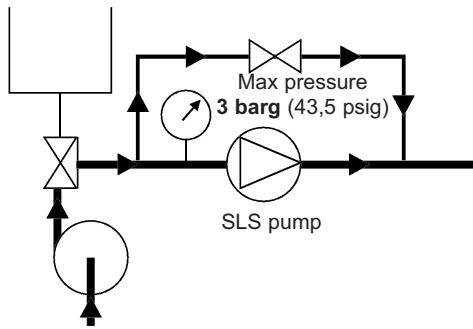


It is preferable not to run the SLS pump during CIP although low speed (< 100 rpm) is acceptable by alternating start/stop operation.

- In certain cases, the flow of cleaning liquid required for the installation is higher than that recommended for cleaning the pump. In this case, a bypass must be used.

The bypass valve is adjusted to divide the flow between the circuit flowing through the SLS pump and the bypass circuit.

4. CLEAN IN PLACE (CIP) & STERILISATION IN PLACE (SIP) (continued)

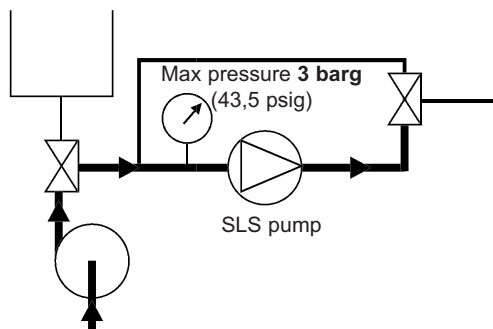


It is preferable not to run the SLS pump during CIP although low speed (< 100 rpm) is acceptable by alternating start/stop operation.

- In certain cases, the cleaning pressure required for the installation is higher than 3 barg (43,5 psig). In this case, the use of a bypass is required and cleaning is done in 2 steps.

Cleaning the pump :

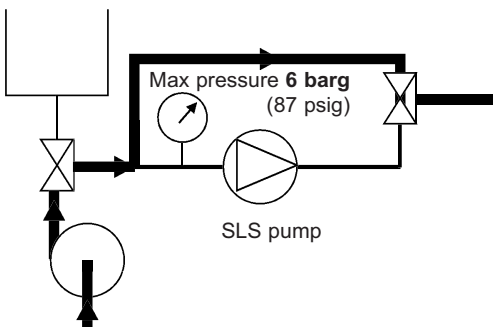
The cleaning flow should be limited during the cleaning of the C pump to ensure a maximum pressure of 3 barg (43,5 psig) at the C pump inlet.



It is preferable not to run the SLS pump during CIP although low speed (< 100 rpm) is acceptable by alternating start/stop operation.

Cleaning the installation :

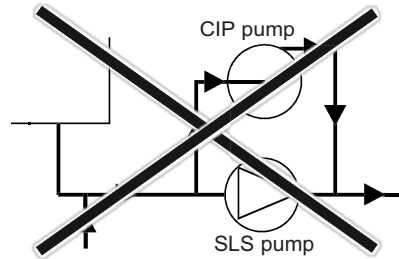
During this operation, the valve system used must ensure that no flow passes through the pump. This is in order to ensure that the SLS does not run. Under these conditions, with the pump completely stopped, the pressure of the washing circuit can rise up to 6 barg (87 psig).



The pump must not run during this operation.

4.4 Pumps arranged in parallel

The CIP centrifuge pump must never be installed in parallel with a SLS pump without taking special precautions.



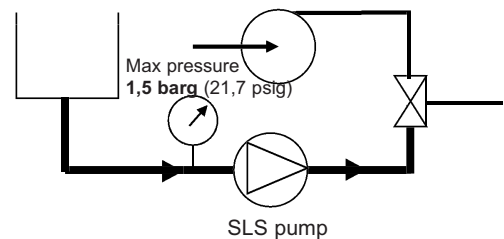
Indeed, in this case, the pressure at the inlet of the SLS pump is lower than the pressure at the discharge and the piston remains forced against the cylinder. Therefore, the SLS pump no longer provides a passage. Its efficient cleaning can no longer be ensured and the cylinder/piston pair will become prematurely worn.

Authorised assembly :

As mentioned previously for applications where cleaning is easy, assembly in parallel is authorised when the valves are installed so that the cleaning pressure of the circuit does not come into contact with the SLS pump.

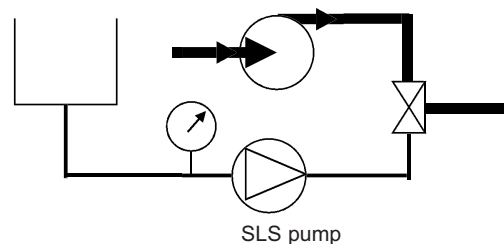
In this case, the C Series pump cleans itself.

Cleaning the pump :



We recommend limiting the rotation speed of the SLS pump.

Cleaning the installation :



The SLS pump is stopped when cleaning the installation.

4. CLEAN IN PLACE (CIP) & STERILISATION IN PLACE (SIP) (continued)

4.5 Successive cycles

Given simply as an example. Must be validated and adapted if necessary, depending on the installation process and the product. Generally, the most efficient CIPs comprise 5 stages :

1. Pre-washing with clean water

Water at room temperature. 10 to 15 minute cycle. This pre-wash enables evacuation of the remaining residues.

2. Washing with an alkaline detergent

Typically this is soda at 2.5% at a temperature of 80°C. 20 to 30 minute cycle. This wash particularly enables dissolving and evacuating grease and proteins.

3. Rinsing with clean water

Water at room temperature. 10 minute cycle. This rinse helps to avoid 2 cleaning solutions being mixed.

4. Washing with an acid solution

Typically this is 2.5% nitric acid at room temperature. 10 to 15 minute cycle. This wash helps to dissolve and evacuate proteins and inorganic salts in particular.

5. Rinsing with clean water



Water at room temperature. Several 1 to 2 minute cycles. These rinses enable all traces of acid solution to be evacuated.



During all these CIP stages, the average speed of the cleaning liquids in the pipes must be between 1,5 and 3 m/s (59 in/sec and 118 in/s).



4.6 Sterilisation In Place (SIP)



The SLS pumps are perfectly adapted to all processes using SIP (Sterilisation In Place) : pump stopped / maximum 30 min per cycle / 1 or 2 cycles per day.



5. MAINTENANCE



	WARNING	
		<p>TAKE ALL NECESSARY MEASURES TO RENDER ANY START-UP, EVEN ACCIDENTAL, OF THE PUMP DURING THE WORK IMPOSSIBLE.</p>
<p>Any unforeseen start-up can cause serious injuries or important material damages.</p>		

	WARNING	
		<p>DISCONNECTING THE FLUID OR PRESSURE CONTAINMENT COMPONENTS DURING PUMP OPERATION CAN CAUSE SERIOUS PERSONAL INJURY, DEATH OR MAJOR PROPERTY DAMAGE.</p>
<p>Hazardous pressure can cause personal injury or property damage.</p>		

	WARNING	
		<p>FAILURE TO RELIEVE THE SYSTEM PRESSURE PRIOR TO PERFORMING ANY WORK ON THE PUMP OR THE INSTALLATION CAN CAUSE PERSONAL INJURY OR PROPERTY DAMAGE.</p>
<p>Hazardous pressure can cause personal injury or property damage.</p>		

	WARNING	
		<p>IF PUMPING HAZARDOUS OR TOXIC FLUIDS, THE SYSTEM MUST BE FLUSHED PRIOR TO PERFORMING ANY SERVICE OPERATION.</p>
<p>Hazardous or toxic fluids can cause serious injury.</p>		

	WARNING	
		<p>BE CAREFUL WITH THE WEIGHT OF THE PARTS WHEN THEY ARE BEING REMOVED.</p>
<p>The weight of the parts can be dangerous and may provoke bodily injuries or material damages.</p>		

	CAUTION	
		<p>THE PUMP LUBRICANT IS VERY SLIPPERY AND MAY CAUSE SERIOUS INJURY. ANY SPILLS MUST BE CLEANED UP.</p>
<p>Slippery lubricant. Spills should be cleaned up.</p>		

5.1 Necessary tools

- 13, 16, 36 and 94 open-end spanners (or adjustable spanner)
- N° 5 Allen key
- 2 screwdrivers

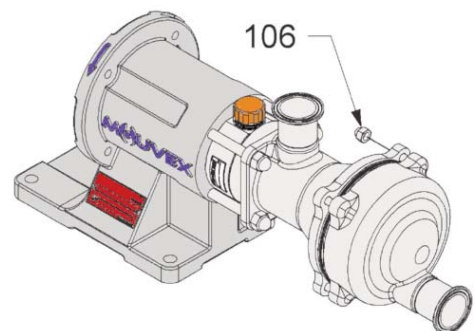
Tightening torques :

- M6 : 5,5 Nm
- M8 :13 Nm
- M10 :30 Nm
- M30 (piston nut) :40 Nm

5.2 Pump disassembly

Before any dismantling, make sure that the pump has been drained and take the necessary measures to avoid starting-up. No start-up, even accidental, must be allowed.

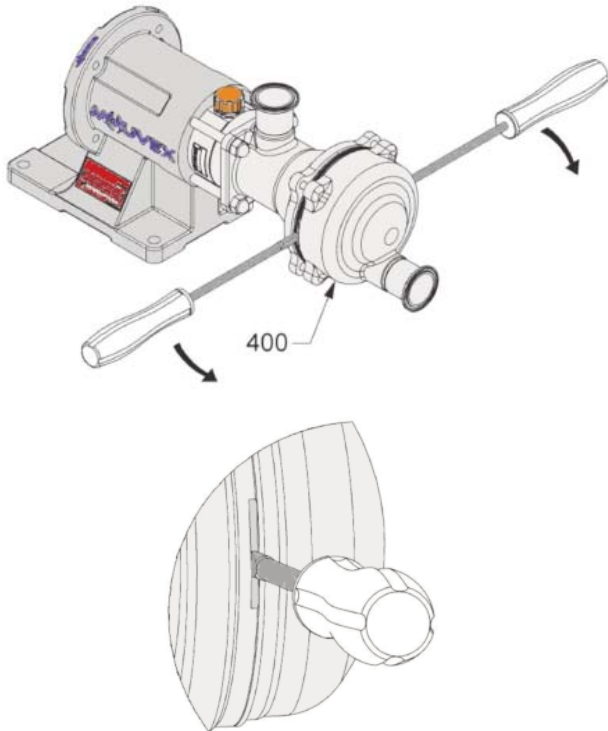
- Disconnect the pump from the discharge pipe.
- Remove the 4 nuts **106** using the 13 open-end spanner.



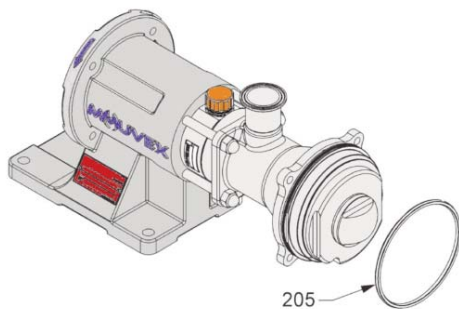
5. MAINTENANCE (continued)

- Remove the front cover 400 with the 2 screwdrivers.

It is important to keep a good grip on the cylinder as you take the front cover off. Its rotation could lead to deterioration of the bellows.

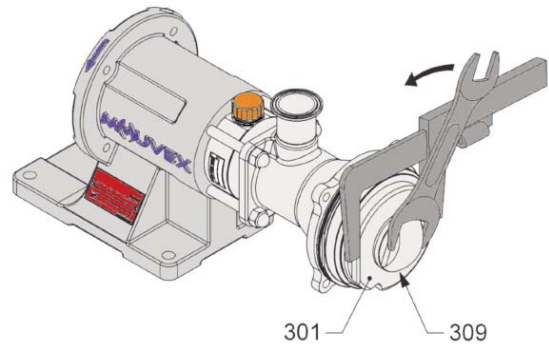


- Remove the seal 205.

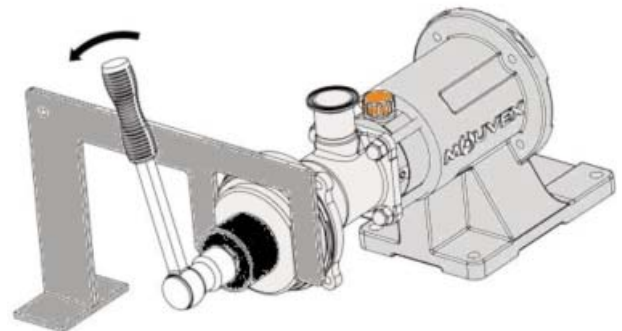


- Hold piston 301 with a 94 open-end spanner or an adjustable spanner and unscrew nut 309 with a 36 open-end spanner.

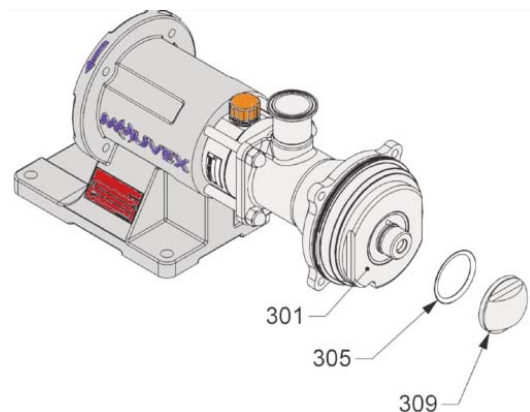
It is important to keep a good grip on the piston, its rotation could lead to deterioration of the bellows.



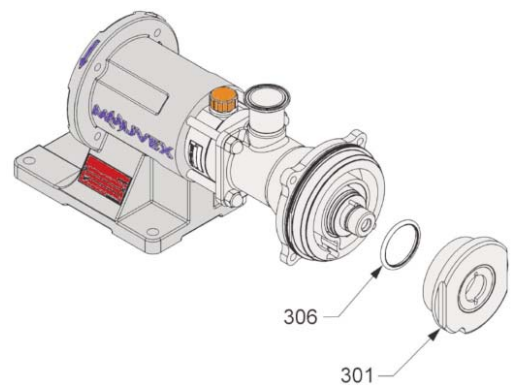
- This operation can be done using MOUVEX tools references 227115 (bracket) and 315361.00 (socket).



- Extract nut 309 and seal 305.

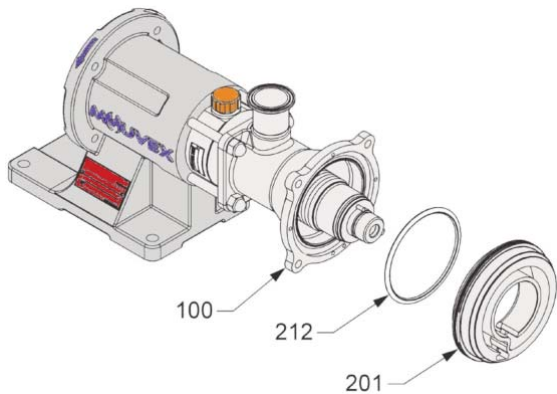


- Extract piston 301 and seal 306.



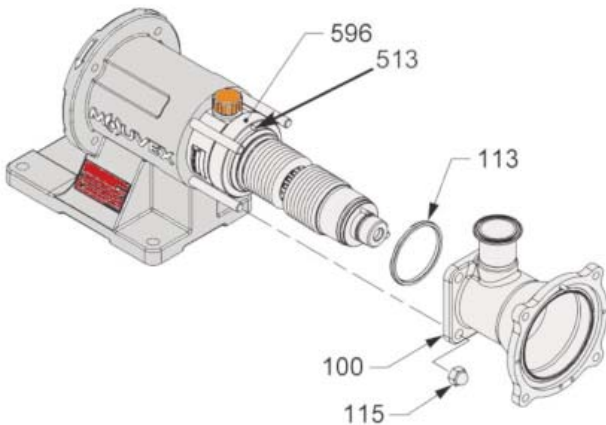
5. MAINTENANCE (continued)

- Remove cylinder 201 and seal 212.



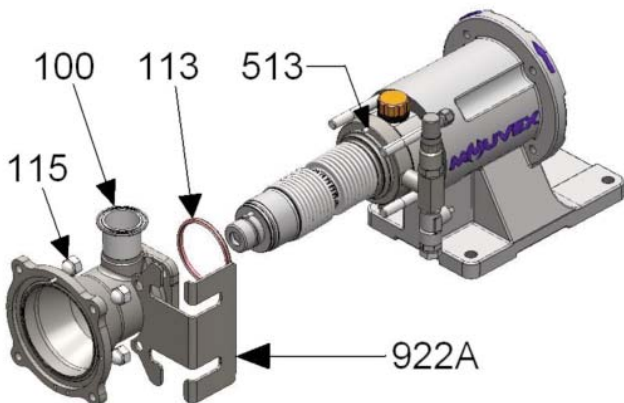
5.2.1 PUMP WITHOUT BELLOWS MONITORING SYSTEM

- Unscrew the 4 nuts 115 with a 16 open-end spanner.
- Remove nozzle 100 and seal 113.



5.2.2 PUMP WITH BELLOWS MONITORING SYSTEM BY NON ATEX PRESSURE SWITCH

- Unscrew the 4 nuts 115 with a 16 open-end spanner.
- Remove nozzle 100 and seal 113.
- Remove the protection plate 922A.

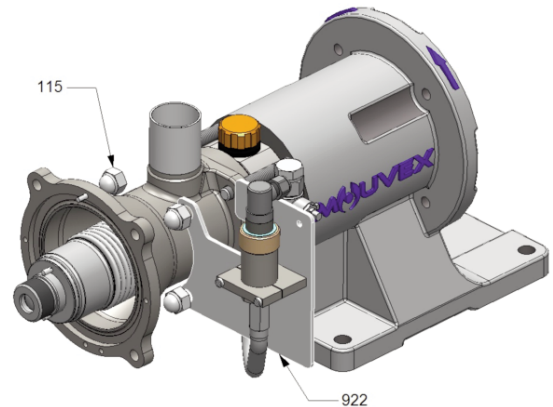


BE CAREFUL NOT TO KNOCK OR SCRATCH THE BELLOWS AND THE PRESSURE SWITCH.

5.2.3 PUMP WITH BELLOWS MONITORING SYSTEM BY ATEX PRESSURE SWITCH

- Unscrew the 4 nuts 115 with a 16 open-end spanner.
- Release the pressure switch and his bracket 922.

DO NOT UNCOUPLE THE FLEXIBLE HOSE.



- Remove the pressure switch set and bracket on working table.



- Remove the nozzle 100 and the seal 113.



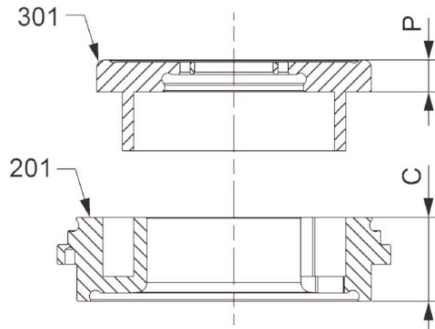
BE CAREFUL NOT TO HIT THE BELLOWS, THE HOSE, PRESSURE SWITCH AND THE CONNECTIONS. DO NOT KEEP OR STORE A TRANSMISSION WITHOUT BRACKET AND / OR IN SUPPORT ON THE PRESSURE SWITCH SET, FLEXIBLE AND CONNECTIONS.

* Loctite® is a registered trade mark.

5. MAINTENANCE (continued)

5.3 Checking the cylinder/piston couple

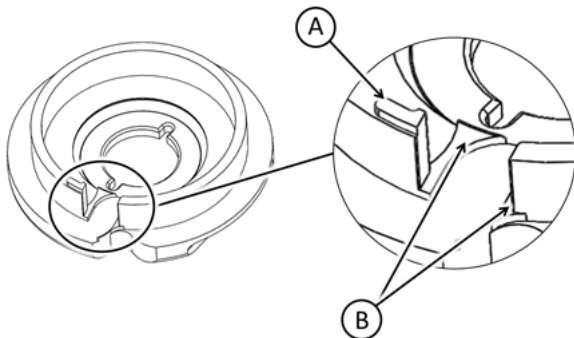
Piston 301 and cylinder 201 are active parts (wearing parts). These parts must be replaced if the thickness measurements are lower than the following values.



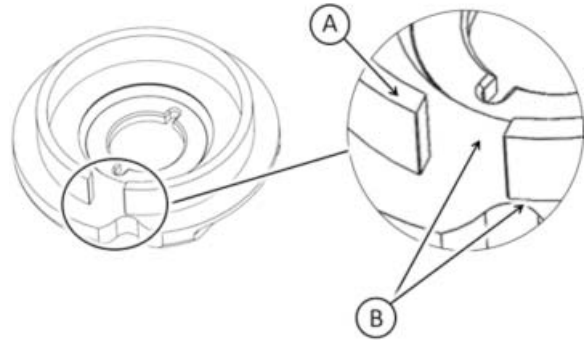
Wear dimensions - mm (inches)				
		SLS1	SLS2	SLS3
Piston 301 (P)	New	12,9 (0,506)	12,9 (0,506)	12,9 (0,506)
	Min	10,9 (0,427)	10,9 (0,427)	10,9 (0,427)
Cylinder 201 (C)	New	34 (1,335)	34 (1,335)	34 (1,335)
	Min	32 (1,256)	32 (1,256)	32 (1,256)

When controlling the piston and even if it has not reached its minimum dimensions, it may show following aspects, especially on abrasive liquid pumping or low viscosity :

- Triangular shape on top of piston wall (A),
- Small steps at piston wall base (B).



Before putting back the piston on the pump, eliminate these asperities by filing and finishing with fine sandpaper (No 320 grain or equivalent), taking care of not scratching any other surface around. Piston must then look as follows :



Do not retouch any other surface of the piston by any mean as it can degrade pump performance and reliability. In particular, do not round or attenuate disc wall edges.

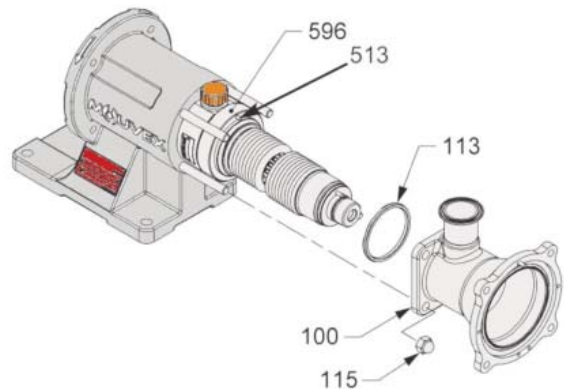
Even if it shows wearing signs, do not retouch any surface of the cylinder by any mean as it can degrade pump performance and reliability.

5.4 Reassembling the pump

- Check the state of seals 113, 205, 212, 305 and 306 and replace them if necessary.

5.4.1 PUMP WITHOUT BELLOWS MONITORING SYSTEM

- Position seal 113 on the large flange.
- Position nozzle 100, watching out for the indexing pin 513.
- Position the 4 nuts 115 and screw them in (4 x M10 tightening torque 30 Nm). The nuts will be locked with Loctite® 243 or equivalent thread locking adhesive.

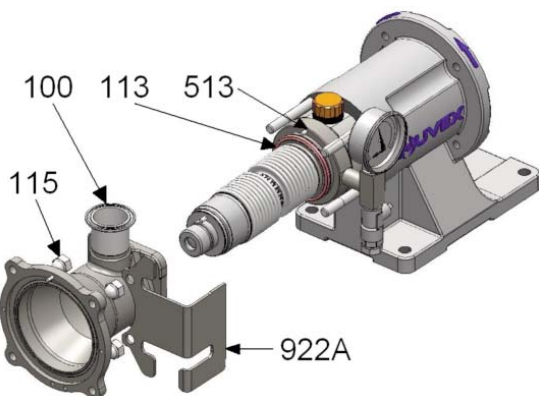
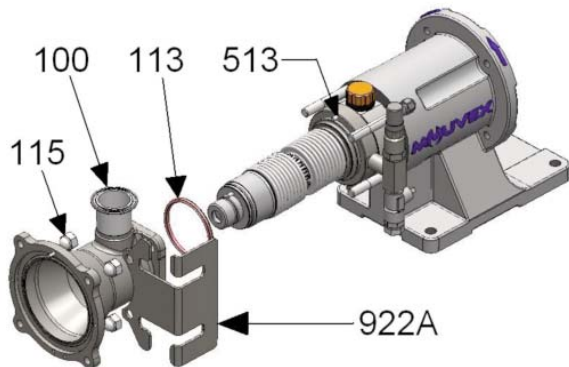


* Loctite® is a registered trade mark.

5. MAINTENANCE (continued)

5.4.2 PUMP WITH BELLOWS MONITORING SYSTEM BY NON ATEX PRESSURE SWITCH

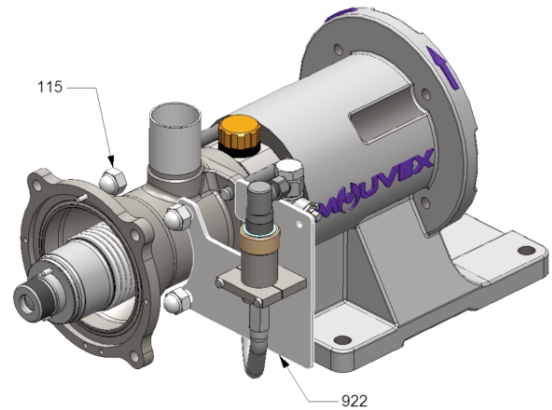
- Position seal **113** on the large flange.
- Position nozzle **100**, watching out for the indexing pin **513**.
- Position the pressure switch protection plate **922A**.
- Position the 4 nuts **115** and screw them in (4 x M10 tightening torque 30 Nm). The nuts will be locked with Loctite®* 243 or equivalent thread locking adhesive.



BE CAREFUL NOT TO KNOCK OR SCRATCH THE BELLOWS AND THE PRESSURE SWITCH.

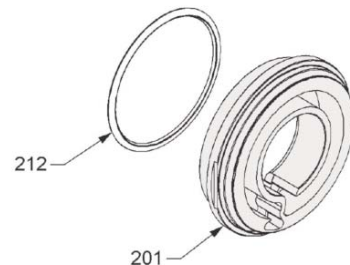
5.4.3 PUMP WITH BELLOWS MONITORING SYSTEM BY ATEX PRESSURE SWITCH

- Position seal **113** on the large flange.
- Position nozzle **100**, watching out for the indexing pin **513**.
- Position pressure switch bracket **922**.
- Position the 4 nuts **115** and screw them in (4 x M10 tightening torque 30 Nm). The nuts will be locked with Loctite®* 243 or equivalent thread locking adhesive.



BE CAREFUL NOT TO KNOCK OR SCRATCH THE BELLOWS, THE HOSE AND THE PRESSURE SWITCH.

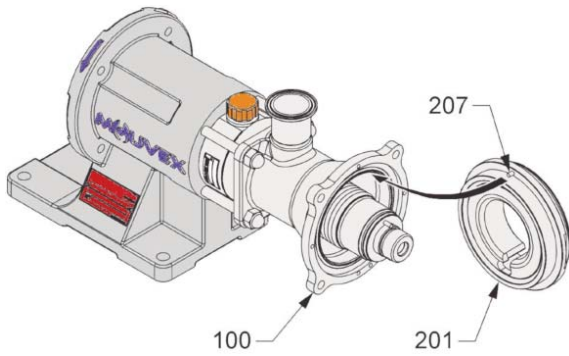
- Position seal **212** in the cylinder **201**.



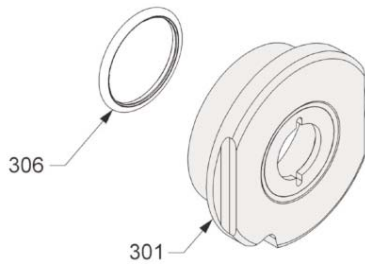
If the 100 nozzle is oriented differently from the standard position (§ 2.1), it is important to orient cylinder 201 as shown here, in other words with the port at the bottom. It is possible to fit the cylinder with the port at the top, but the pump will then not be drainable.

* Loctite® is a registered trade mark.

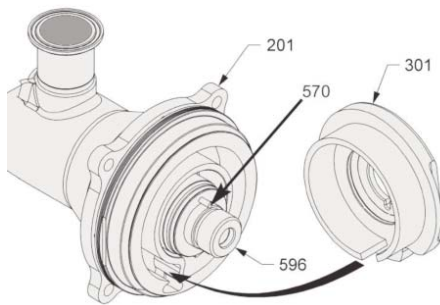
5. MAINTENANCE (continued)



- Position seal **306** in piston **301**.



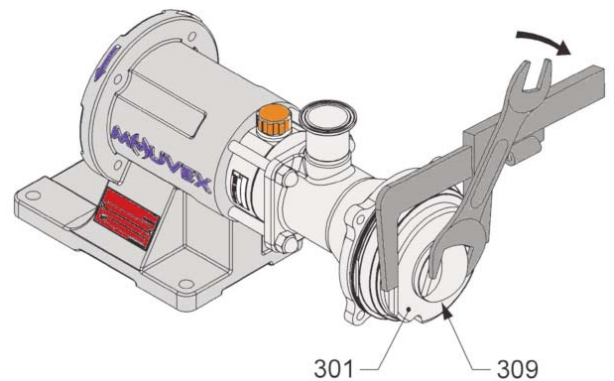
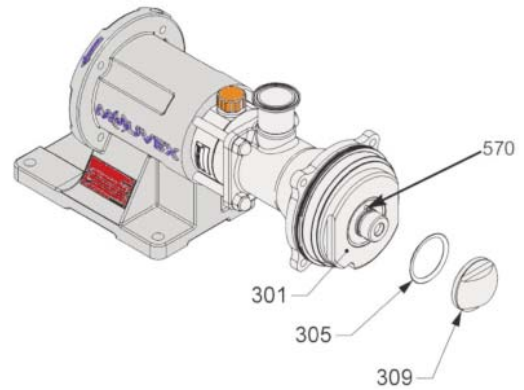
- Insert piston **301** over the transmission hub **596**, with the slot of piston **301** opposite the cylinder partition **201**.



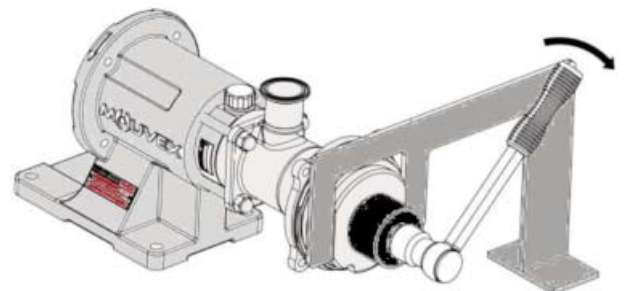
- Exert lateral pressure on the piston to centre it and insert it into the cylinder, then push fully home, taking care to engage the 2 pins **570** on the hub **596** opposite the 2 slots of piston **301**.
- Place thread locking adhesive (Loctite® 243* or equivalent) on the thread of the nut **309**.
- Position seal **305** on nut **309**.
- Hold piston **301** with a 94 open-end spanner or an adjustable spanner and tighten nut **309** with it seal **305**.

It is important to keep a good grip on the piston, its rotation could lead to deterioration of the bellows.

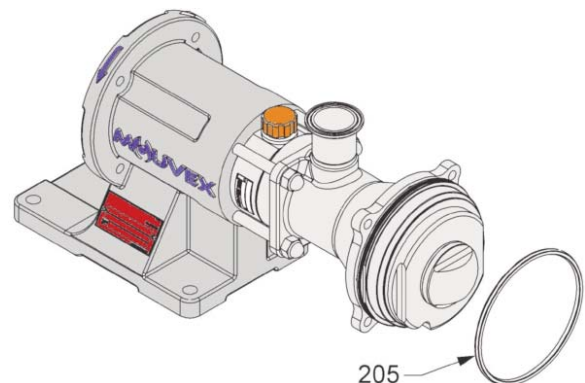
When tightening nut 309, comply with the assembly torque of 40 Nm.



- This operation can be done using MOUVEX tools references 227115 (bracket) and 315361.00 (socket).



- Position seal **205** on the cylinder.

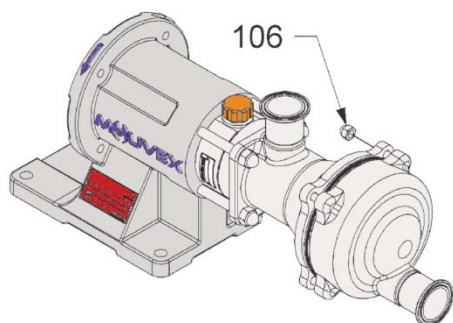


- Re-mount front cover **400** while positioning the outlet port as desired.

* Loctite® is a registered trade mark.

5. MAINTENANCE (continued)

- Tighten the 4 nuts **106** with the 13 open-end spanner (tightening torque of the 4 M8 nuts : 13 Nm). The nuts will be locked using Loctite®* 243 or equivalent thread locking adhesive.



5.5 Transmission disassembly/reassembly

The transmission is disassembled by removing the front cover and the nozzle as described in the PUMP DISASSEMBLY section.

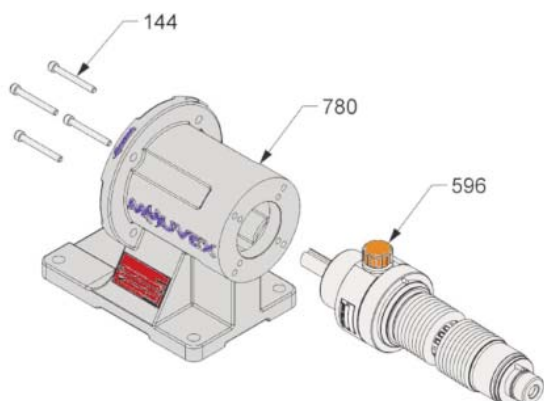
It is important to note the position of the transmission indexing pin at disassembly.

5.5.1 PUMP WITHOUT BELLOWS MONITORING SYSTEM

- Unscrew the 4 screws **144** using the N° 5 Allen key and uncouple transmission **596** from lantern **780**.



BE CAREFUL NOT TO KNOCK OR SCRATCH THE BELLOWS.



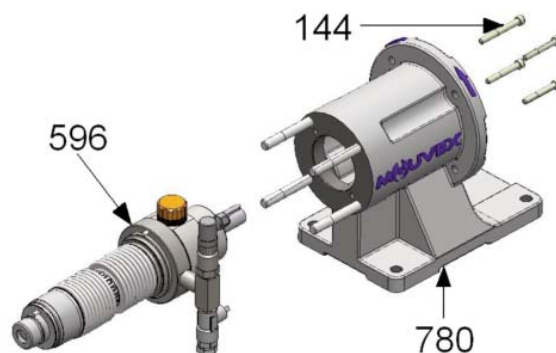
- Reassembly is in reverse order. The screws **144** must be fitted using Loctite®* 243 or equivalent thread locking adhesive (tightening torque of the 4 M6 screws : 5,5 Nm).

5.5.2 PUMP WITH BELLOWS MONITORING SYSTEM BY NON ATEX PRESSURE SWITCH

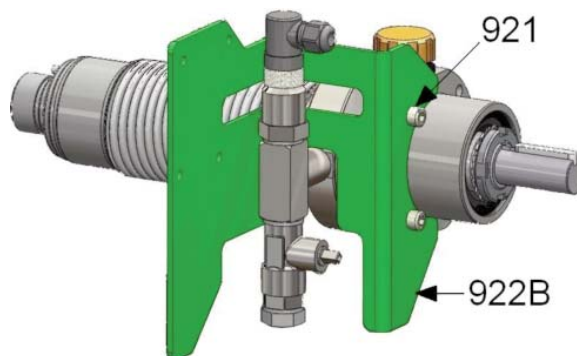
- Remove the protection plate **922A** when removing the nozzle (See § PUMP DISASSEMBLY).
- Unscrew the 4 screws **144** using the N° 5 Allen key and uncouple transmission **596** from lantern **780**.



BE CAREFUL NOT TO KNOCK OR SCRATCH THE BELLOWS AND THE PRESSURE SWITCH.



- On the spare transmission, remove the protection plate **922B** and the screws **921** before mounting on the pump.



BE CAREFUL NOT TO HIT THE BELLOWS, PRESSURE SWITCH AND THE CONNECTIONS. DO NOT KEEP OR STORE A TRANSMISSION WITHOUT PROTECTION PLATE OR IN SUPPORT ON THE PRESSURE SWITCH SET AND CONNECTION.

- Remount the protection plate **922B** on the removed transmission.
- Reassembly is in reverse order. The screws **144** must be fitted using Loctite®* 243 or equivalent thread locking adhesive (tightening torque of the 4 M6 screws : 5,5 Nm).



DO NOT FORGET TO PUT BACK THE PROTECTION PLATE **922A** WHILE REMOUNTING NOZZLE.

* Loctite® is a registered trade mark.

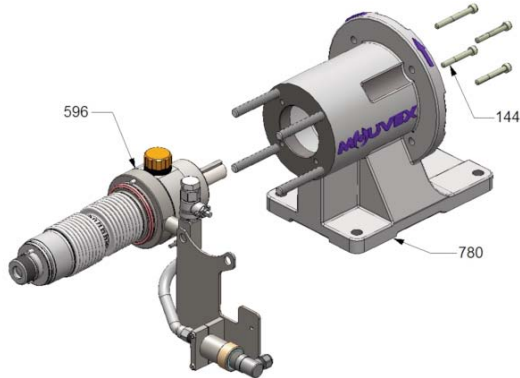
5. MAINTENANCE (continued)

5.5.3 PUMP WITH BELLOWS MONITORING SYSTEM BY ATEX PRESSURE SWITCH

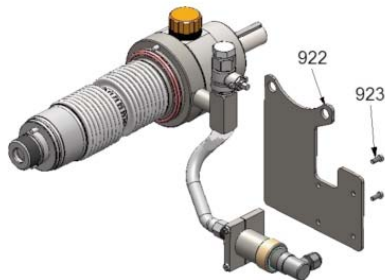
- Remove the nozzle and the pressure switch bracket (See § PUMP DISASSEMBLY).
- Unscrew the 4 screws **144** using the N° 5 Allen key and uncouple transmission **596** from lantern **780**.



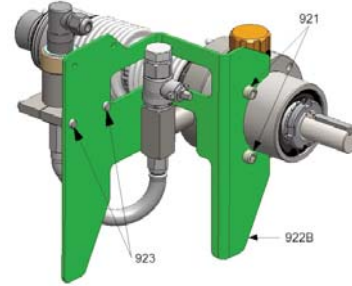
BE CAREFUL NOT TO KNOCK OR SCRATCH THE BELLOWS, THE HOSE AND THE PRESSURE SWITCH. DO NOT UNCOUPLE THE HOSE.



- Remove the two screws **923** and separate pressure switch from his bracket **922**.



- On the spare transmission, remove the 2 screws **921** and the two screws **923** and remove the transport / storage bracket **922B**.



BE CAREFUL NOT TO HIT THE BELLOWS, THE HOSE, PRESSURE SWITCH AND THE CONNECTIONS. DO NOT KEEP OR STORE A TRANSMISSION WITHOUT BRACKET AND / OR IN SUPPORT ON THE PRESSURE SWITCH SET, FLEXIBLE AND CONNECTIONS. DO NOT UNCOUPLE THE HOSE.

- Engage the transmission in the lantern. Tighten the screws **144** which must be mounted with thread locking adhesive Loctite® * 243 or equivalent (tightening torque of the 4 M6 screws : 5,5 Nm).

6. CHECKING THE BELLOWS



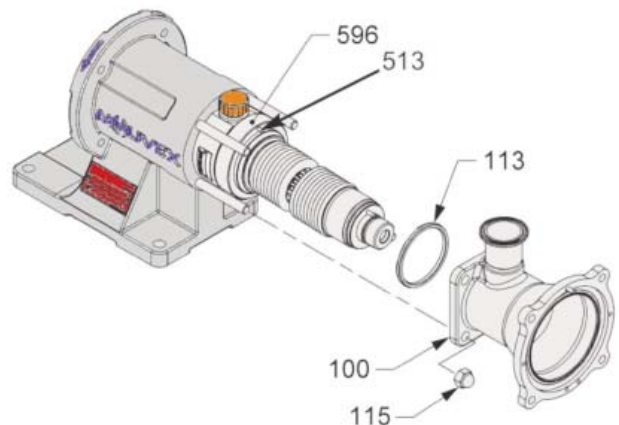
WARNING



The weight of the parts can be dangerous and may provoke bodily injuries or material damages.

BE CAREFUL WITH THE WEIGHT OF THE PARTS WHEN THEY ARE BEING REMOVED.

- Disassemble the pump (see corresponding §).
- Inspect the bellows : it must be replaced if there are any traces of impact, scratches or distortion.
- Reassembly is in reverse order of disassembly, taking care to ensure correct positioning of seal **113** and the indexing pin **513**. The nuts **115** must be fitted using normal thread locking adhesive (Loctite®* 243 or equivalent) : 4 x M10 : tightening torque 30 Nm.





The spare transmissions delivered are equipped with a tubular foam protection. We advise leaving this protection around the bellows until remounting of the piston and cylinder.





DO NOT FORGET TO REMOVE THE PROTECTION BEFORE INSTALLING THE CYLINDER.

* Loctite® is a registered trade mark.

7. DRAINING THE BEARING

 CAUTION	
	
THE SURFACES OF THE PUMP AND OIL TRANSMISSION CAN BE AT A TEMPERATURE LIABLE TO CAUSE INJURY OR SEVERE DAMAGE.	
Excessive temperature- can cause injury or severe damage.	

 CAUTION	
	
THE PUMP LUBRICANT IS VERY SLIPPERY AND MAY CAUSE SERIOUS INJURY. ANY SPILLS MUST BE CLEANED UP.	
Slippery lubricant. Spills should be cleaned up.	

• Drain the transmission as shown in the following table :

• Data with **MOVEX Standard oil CS05*** :

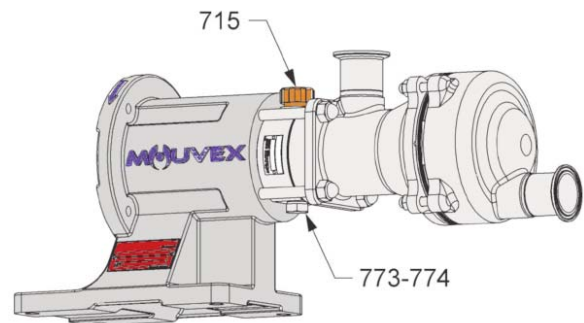
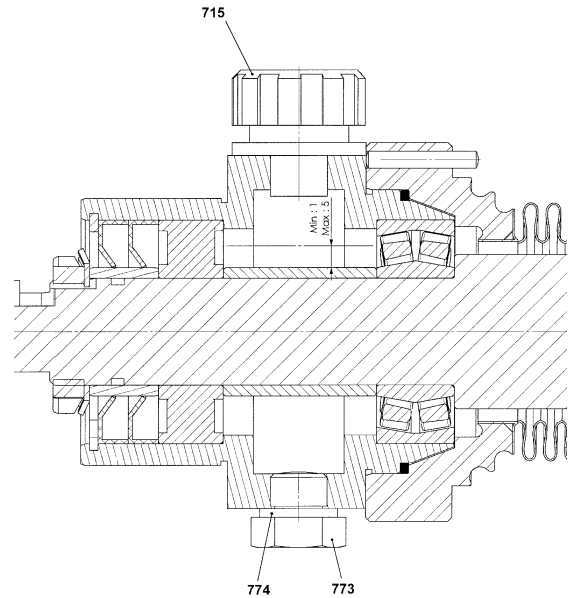
Temperature of pumped/ heating fluid	Draining interval (running hours)
100 °C < T ≤ 110 °C	6 000
80 °C < T ≤ 100 °C	12 000
T ≤ 80 °C	24 000

• Data with **MOVEX Silicone free oil CS23*** :

Temperature product pumped / heating product	Draining interval (running hours)
T < 100 °C	5 000

• Data with **other customer oil** : The drain interval is defined by the customer (test results) according to the oil specifications and the pump operating conditions.

- Drain the pump by removing the drain plug and its seal **773-774** and the breather **715**.
- Fit the drain plug and its seal.
- Fill the transmission with ≈ 0,22 litres of oil*.
- Check the oil level to make sure that there is 1 to 5 mm above the shaft.
- Screw in breather **715**.



* **Standard oils provided by MOVEX** (Safety data sheet is supplied on inquiry) :



CS05 Food synthetic oil
CS23 Silicone free oil for transmission

* **Other oil provided by customer.**

8. STORAGE

If necessary, refer to § MAINTENANCE for pump disassembly.

8.1 Short duration (≤ 1 month)

 WARNING	
	IF PUMPING HAZARDOUS OR TOXIC FLUIDS, THE SYSTEM MUST BE FLUSHED PRIOR TO PERFORMING ANY SERVICE OPERATION.
Toxic or hazardous fluids can cause serious injury.	

MOUVEX pumps and motor-driven pumps are well lubricated when delivered to protect the internal parts during brief storage in a building where :

- the temperature remains between 10°C and 50°C.
- the relative humidity does not exceed 60%.
- exposure to vibration is limited.
- pump is stored in an area sheltered from bad weather and sun.

8.2 Long duration (> 1 month)

The recommendations from the manufacturer should be followed if the pump is stored with its gear motor.

Pump ports should be filled with a non-corrosive liquid that it compatible with the pump components in order to prevent corrosion.

Unpainted external surfaces of the pump (e.g. shafts, couplings, etc.) should be covered in some form of anti-corrosion protection.

If storage was made after a period of operation, the transmission oil must be replaced before storage (see § DRAINING).

The transmission will be filled with oil at breather level (see § DRAINING).

If pump storage lasted more than one year, the oil should be replaced in time to prevent an excessive degradation of its qualities.

The best storage conditions are inside a building that meets the conditions set out above.

If inside storage is not possible, the materials should be covered to prevent direct exposure to sun and bad weather. This protection should also prevent condensation.

The pump should be turned a few revolutions manually every two months.

8.3 Restarting

Follow the standard start-up procedure for the pump/motor-driven pump, as well as the instructions below.

Turn the pump by hand to make sure the parts move freely.

If the storage duration has exceeded one year, replace the oil transmission (see § DRAINING for removal instructions).

If the pump has a safety bypass, remove it and inspect the parts and make sure they move freely.

In all cases, the oil should be replaced after more than two years after its commissioning.

9. TROUBLESHOOTING

ZERO OR INSUFFICIENT FLOW		
1		PRELIMINARY CHECKS
	1-1	Make sure that the plastic plugs have been taken away from the ports of the pump and that the pump is running (defective drive, damaged motor, etc., faulty transmission : broken coupling, sliding belt, worn or poorly coupled clutch, etc.).
	1-2	Make sure that the pump rotates in the correct direction corresponding to the direction in which the liquid circulates in the installation (cf. the pump plate). If necessary, change the electric motor connections.
	1-3	Make sure that the pump rotation speed is sufficient. Determine this by checking the speed of the pump motor (see motor plate) and the speed reduction ratio (see reduction gearbox plate) or use a rev. counter.
		If these checks do not highlight the problem :
2		MEASURE THE DISCHARGE PRESSURE (as close to the outlet of the pump as possible, with a minimum distance of 5 pipe diameters).
	2-1	If the pressure is lower than the figures given for the material, or null, this could be due to :
	2-1-1	The pump is worn, this will also affect the suction capacity of the pump (cf 3-2-2 b).
3		MEASURING THE VACUUM PRESSURE (as close as possible to the pump inlet, inlet side).
	3-1	If the vacuum is high, e.g. higher than or equal to 6 to 7 metres WC (0.6 to 0.7 bara i.e. about 45 or 50 cm of mercury), this can result in pump noise. The cause could be :
	3-1-1	a. the suction lift is too high (reduce it by taking the pump down closer to the level of the liquid). b. the dynamic suction losses are too high : the inlet piping orifice is too close to the bottom of the tank.
	3-1-2	The inlet piping is completely blocked (valve, tap, filter, cloth, full seal forgotten, etc.)
	3-1-3	The liquid vapour pressure is too high (or has become too high following, for example, a change of temperature). Bring the pump closer to the level of the liquid, install the pump closer to the feed or cool the liquid to reduce the vapour pressure.
	3-2	If the vacuum is low, for example, less than 3 metres WC (i.e. about 20 cm of mercury), check for leaks on the inlet pipe, isolate the pump from the inlet piping (by closing the valve nearest the pump or by inserting a full flange seal) and measuring the vacuum once again.
	3-2-1	If the vacuum is high with the isolating valve closed on suction line, e.g. higher than or equal to 6 or 7 metres WC (i.e. about 45 to 50 cm of mercury), the pump is not the cause : a. there must be an air inlet upstream of the pump isolating valve. b. the liquid vapour pressure is or has become too elevated due to a change of temperature (cf 3-1-3).
	3-2-2	If the vacuum is low or non-existent, the reason could be : a. air is entering the pump (check the front cover seals, flanges, etc...) b. the pump is worn and the internal tightness is out of specification (the piston bushings are worn, worn piston and cylinder, broken piston wear compensation springs, worn partition, broken shaft).

9. TROUBLESHOOTING (continued)

ABNORMAL HEATING OF BEARINGS		
4		This heating can be caused by :
	4-1	- excessive tension in the transmission (belt or chain) on the pump shaft.
	4-2	- excessive pulling on the pump flanges by the piping (in this case, it must have been necessary to force the piping into position to connect it to the pump).
	4-3	- poor alignment of the pump - due for example to 4-2 (the pump is partially or totally uncoupled, the pump shaft and drive shaft are not aligned with each other).
	4-4	- inadequate anchoring of the pump unit leading to deformation of the chassis (make sure that the chassis is clear of the ground except for the 3 anchoring points).
ABNORMAL NOISES		
		These noises can be caused by hydraulic and mechanical sources. They can be distinguished by the fact that only the former disappear (or at least lessen) when air is allowed into the inlet pipe.
5		HYDRAULIC NOISES
		These noises can come from insufficient product being supplied to the pump, or :
	5-1	- the rotation speed is too high for the installation conditions (increase of viscosity due to a change of product or a reduction of temperature, etc.).
	5-2	- that the suction head is too high or has become too high due to excessive head losses following clogging of the piping or filter, a change of viscosity of the liquid, etc.,
	5-3	- an increase of the vapour pressure with a rise of temperature.
6		MECHANICAL NOISES
		These can stem from :
	6-1	- abnormal stress on the pump : the transmission is pulling on the shaft, pulling on the flanges by the piping.
	6-2	- a broken part or foreign body has entered the pump.
EXCESS POWER CONSUMPTION		
7		The most spectacular event occurs when the power to an electric motor is shut off.
	7-1	If this incident occurs when closing the discharge line, the cause may be the motor protection is adjusted too low or wrong circuit breaker have been fitted.
	7-2	If the incident occurs during operation, the cause could be : a. an inadequate motor (in this case, the discharge pressure complies with what was expected). b. head losses higher than expected - following higher viscosity or specific gravity than planned initially (in this case, the discharge pressure is higher than that planned. The pressure can be reduced by loosening the relief valve adjustment screw - the flow is decreased). c. excessive speed of rotation. d. a fault of the equipment (faulty alignment, deformation of the chassis, stress exerted by the piping on the flanges, seizing, etc.).
		Excessive consumption of electricity can also be due to a poor motor connection (e.g. a 3 phase motor operating on 2 phases).



DECLARATION UE DE CONFORMITE
EU CERTIFICATE OF CONFORMITY – EU KONFORMITÄTSERKLÄRUNG



MOUVEX sas, ZI La Plaine des Isles – 2 Rue des Caillottes – 89000 Auxerre France, déclare que l'équipement suivant / declares the following equipment / erklärt, dass folgende Ausrüstung:

Modèle : _____ (A) Répondant aux spécifications indiquées dans l'ARC N° : _____ (B)
Designation / Bezeichnung Serial N° / Serien Nr According to the specifications recorded in the acknowledgment of order N°:

Pour la Sté MOUVEX sas, fait à Auxerre le : _____
For Mouvex sas company – Date : _____
Für die Fa Mouvex sas - Datum : _____

Responsible Quality Clients
Customer Quality Manager / Qualitätsbeauftragter

- Configuration : _____
Konfiguration (Pumpe / Kompressor, freies Wellenende)
- Type / Geräteart :
- Pompe à mvt excentré (Eccentric Disc Pump / Ringkolbenpumpe)
 - Pompe péristaltique (Peristaltic Pump / Schlauchpumpe)
 - Pompe centrifuge (Centrifugal Pump / Kreiselpumpe)
 - Compresseur à Vis (Screws compressor / Schraubenverdichter)
 - Compresseur à palettes (Vaness compressor / Flügelzellenverdichter)
 - Refroidisseur Hydraulique (Hydraulic oil cooler / Hydraulikölkühler)
- _____ Groupe de pompage / de compression (Pumping Unit / Compressor Unit) (Pumpe / Kompressoraggregat)
- _____ Pompe à lobes (Lobes Pump / Drehkolbenpumpe)
- _____ Pompe à palettes (Vaness Pump / Flügelzellenpumpe)
- _____ Autre pompe (Other Pump / Andere Pumpe)

Est conforme aux dispositions suivantes :

- Directive « MACHINES » 2006/42/CE et aux législations nationales (à transposer, portant sur les dispositifs de sécurité liés aux risques mécaniques et électriques applicables aux machines tournantes.
NF EN 809:2009 NF EN 1672-2:2009 NF EN ISO 13857:2008 NF EN 12162:2009
- Directive « ATEX » 2014/34/EU du 26 février 2014 et aux législations nationales la transposant; portant sur les appareils destinés à être utilisés en atmosphères explosibles. Conformité obtenue par application des normes :
NF EN 1127-1:1997 NF EN 13463-1:2009 NF EN 13463-5:2009 Certification ATEX délivrée par INERIS*, Organisme Certificateur, et portant le marquage suivant : (C)

Is in conformity with the provisions of the following Directive:

- « MACHINES » Directive 2006/42/EEC as transposed by the national legislation, concerning safety equipments and arrangements relative to mechanical and electric risks applicable to rotative machines.
NF EN 809:2009 NF EN 1672-2:2009 NF EN ISO 13857:2008 NF EN 12162:2009
- « ATEX » Directive 2014/34/EU (26 Feb. 2014) as transposed by the national legislation, concerning equipment intended to be used in explosive atmospheres. Conformity obtained by application of the standards :
NF EN 1127-1:1997 NF EN 13463-1:2009 NF EN 13463-5:2009 ATEX Certification delivered by INERIS*, Notified Body, and with the following marking: (C)

den Bestimmungen der nachstehenden Richtlinien entspricht:

- „Machines-Richtlinie“ 2006/42/EEC wie umgesetzt im nationalen Recht hinsichtlich der Ausrüstungssicherheit und Sicherheitsvorkehrungen bezogen auf mechanische und elektrische Risiken, die für rotierende Maschinen gelten.
NF EN 809:2009 NF EN 1672-2:2009 NF EN ISO 13857:2008 NF EN 12162:2009
- „ATEX“ Richtlinie 2014/34/EU (26. Feb. 2014) wie umgesetzt im nationalen Recht in Bezug auf Ausrüstungen für den Einsatz in explosionsgefährdeter Atmosphäre. Die Konformität hat Geltung durch Anwendung folgender Normen:
NF EN 1127-1:1997 NF EN 13463-1:2009 NF EN 13463-5:2009 Die ATEX-Zertifizierung wurde von der benannten Stelle INERIS* erteilt, und mit folgender Kennzeichnung: (C)

II G II T Temp Max produit pompé / Max Temp Flow / Max. T° Medium = _____ °C (X = voir notice / see IOM / siehe Handbuch)

L'équipement désigné ci-dessus doit impérativement respecter les conditions d'utilisation ATEX décrites dans nos notices d'instruction. Il doit être employé conformément à l'utilisation qui en a été prévue de par sa conception et sa fabrication, et conformément aux normes en vigueur. Nous, soussignés, déclarons que l'équipement concerné est conforme aux Directives listées ci-dessus et aux normes applicables s'y rapportant.

The equipment indicated above must imperatively comply with the ATEX conditions of use described in our instruction book. It must be used according to the foreseen use by its design and its manufacturing, and according to the current standards. We, undersigned, declare that the concerned equipment is in conformity with the Directives listed above and in the applicable standards in force.

Oben stehend bezeichnete Ausrüstung muss unbedingt den in unseren Betriebsanleitungen beschriebenen ATEX Anwendungsbedingungen entsprechen. Sie ist entsprechend dem durch Konstruktion und Fabrikation vorgesehenen Verwendungszweck und entsprechend den geltenden Normen einzusetzen. Die Unterzeichner erklären, dass die bezeichnete Ausrüstung den oben aufgeführten Richtlinien und den diesbezüglich geltenden Normen entspricht.

CTRL/D025 – rév.04 du 25/05/2016 – Déclaration de conformité CE-Atex

* (INERIS – Parc Techno Alata – 60550 Verneuil-en-Halatte – France).