

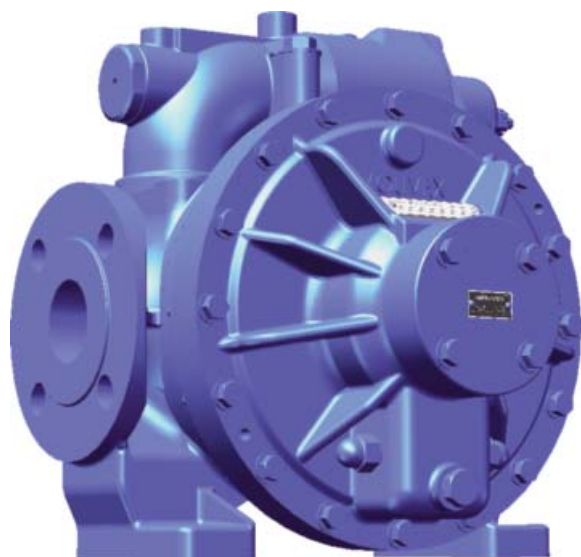


INSTRUCTIONS 1012-B00 e

| | |
|-----------|----------------|
| Section | 1012 |
| Effective | September 2018 |
| Replaces | August 2016 |

Original instructions

A12 A pump



INSTALLATION

OPERATION

MAINTENANCE

WARRANTY :

A II Series pumps are covered 24 months by warranty within the limits mentioned in our General Sales Conditions. In case of a use other than that mentioned in the Instructions manual, and without preliminary agreement of MOUVEX, warranty will be canceled.



Z.I. La Plaine des Isles - F 89000 AUXERRE - FRANCE
Tel. : +33 (0)3.86.49.86.30 - Fax : +33 (0)3.86.49.87.17
contact@mouvex.com - www.mouvex.com

Your distributor :

ECCENTRIC PISTON PUMP

MOUVEX PRINCIPLE

SAFETY, STORAGE, INSTALLATION AND MAINTENANCE INSTRUCTIONS

MODEL : A12 A

These Instructions contains important information concerning the reception, the installation, the operation, the adaptation, the dismantling, the maintenance and the disposal of the A12A pump.

These Instructions **MUST** accompany the pump. Read these whole instructions before using the pump.

If necessary, do not remove the warning and use label stickers that are found on the pump.

The information given in this document are based on the most recent data available at the time of its diffusion. MOUVEX keeps the right to modify without prior notice information and illustrations contained in this document.

USED PRESSURE UNITS

Unit without suffix :

Differential pressure, for example, pressure difference between equipment suction and discharge.

Unit with suffix "a" :

Absolute pressure.

Unit with suffix "g" :

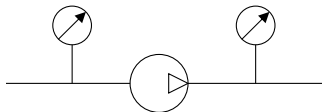
Gauge pressure, given regarding to atmospheric pressure (~101325 Pa, taken at 1 bar / 14,5 psi in this IOM).

Example :

$P_{suc} = -0,2 \text{ barg} = 0,8 \text{ bara}$

$P_{dis} = 8,8 \text{ barg} = 9,8 \text{ bara}$

$\Delta P = P_{dis} - P_{suc} = 9 \text{ bar}$



Definition of safety symbols



This is a SAFETY ALERT SYMBOL.

When you see this symbol on the product, or in the manual, look for one of the following signal words and be alert to the potential for personal injury, death or major property damage.



Warns of hazards that **WILL** cause serious personal injury, death or major property damage.



Warns of hazards that **CAN** cause serious personal injury, death or major property damage.



Warns of hazards that **CAN** cause personal injury or property damage.

NOTICE

Indicates special instructions which are very important and must be followed.

TABLE OF CONTENTS

Page

| | |
|---|------------|
| 1. GENERAL DATA | .3 |
| 1.1 Principle of operation | .3 |
| 1.2 Codification | .4 |
| 1.3 Identification and pump marking | .4 |
| 2. GENERAL SAFETY INFORMATIONS | .5 |
| 3. INSTALLATION | .6 |
| 3.1 Reception | .6 |
| 3.2 Installation design | .6 |
| 3.3 Installation and pump protection | .7 |
| 3.4 Hoisting devices | .8 |
| 3.5 Unit assembly | .8 |
| 4. USE | .9 |
| 4.1 Noise level | .9 |
| 4.2 Commissioning | .9 |
| 4.3 Operation without any pumped product | .10 |
| 4.4 Shutting down the pump | .10 |
| 5. OPENING OF THE PUMP | .11 |
| 5.1 Preparation | .11 |
| 5.2 Reverse of main rotation direction | .12 |
| 5.3 Cylinder - piston | .14 |
| 5.4 Bushings | .16 |
| 5.5 Mechanical seal | .17 |
| 5.6 Bearing | .20 |
| 5.7 Piston bearing | .21 |
| 5.8 Slide block | .21 |
| 5.9 Slide block shaft | .22 |
| 5.10 Slide block pads | .22 |
| 5.11 Pusher | .23 |
| 5.12 Relief valve | .23 |
| 5.13 O-rings replacement | .25 |
| 5.14 Stirrup | .26 |
| 6. MAINTENANCE | .27 |
| 6.1 Greasing | .27 |
| 6.2 Checking of parts | .27 |
| 7. PARTICULAR VARIANTS | .28 |
| 7.1 Pump with heating jacket | .28 |
| 8. STORAGE | .28 |
| 8.1 Short duration (≤ 1 month) | .28 |
| 8.2 Long duration (> 1 month) | .28 |
| 8.3 Restarting | .28 |
| 9. SCRAPPING | .28 |
| 10. TECHNICAL CHARACTERISTICS | .29 |
| 10.1 Weight and center of gravity | .29 |
| 10.2 Overall dimensions | .29 |
| 10.3 Curves | .29 |
| 10.4 Operation limits and characteristics | .29 |
| 11. TROUBLESHOOTING | .32 |
| 12. CERTIFICATE OF CONFORMITY | .35 |

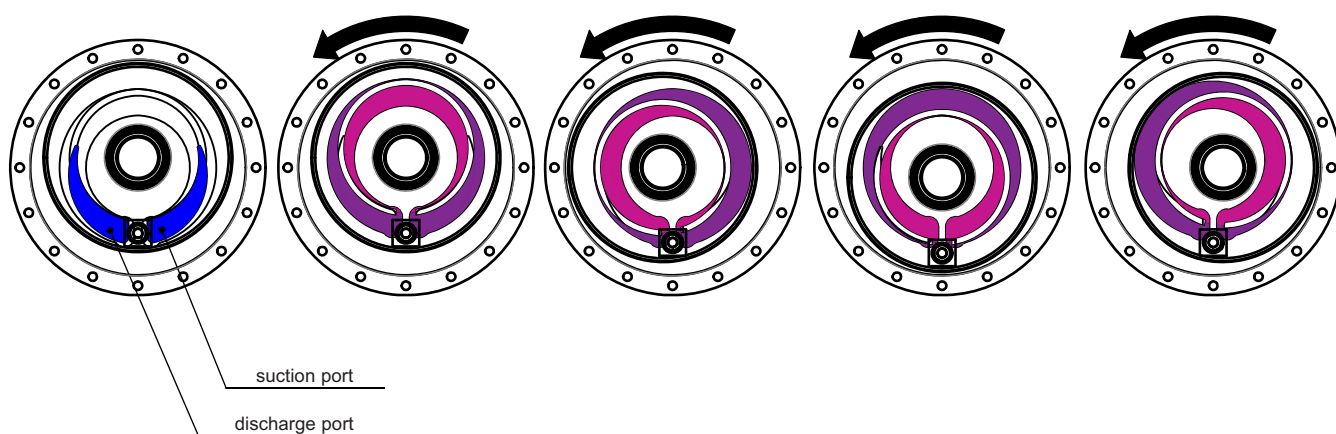
1. GENERAL DATA

1.1 Principle of operation

Pumps MOUVEX A II Series are volumetric pumps with eccentric piston (following the MOUVEX™ principle).

When piston moves inside cylinder, driven by eccentric shaft, it creates four chambers that increase and decrease, thus creating suction and discharge.

These chambers are moving two by two with a 180° opposition, thus giving to fluid crossing the pump a constant flow rate.



1. GENERAL DATA (continued)



1.2 Codification



| | | A12A | ST- | C- | VT- | BCA- | MSTTVT- | C- | 10- |
|-------------------------------------|---|------|-----|----|-----|------|---------|----|-----|
| Conception | | | | | | | | | |
| ST- | Standard | | | | | | | | |
| EV- | Jacket | | | | | | | | |
| Bushings | | | | | | | | | |
| C- | Carbon | | | | | | | | |
| BZ- | Bronze | | | | | | | | |
| Seals | | | | | | | | | |
| VT- | FKM | | | | | | | | |
| CVT- | FEP encapsulated FKM | | | | | | | | |
| Flanges | | | | | | | | | |
| BCA- | Flanges compatibles with old A Serie | | | | | | | | |
| PN16/20- | Flanges compatibles PN16 and PN20 | | | | | | | | |
| Mechanical seal | | | | | | | | | |
| MSTTVT- | Mouvex Seal tungsten carbide / tungsten carbide / FKM | | | | | | | | |
| MSCSVT- | Mouvex Seal carbone / stainless steel / FKM | | | | | | | | |
| MSTTCVT- | Mouvex Seal tungsten carbide / tungsten carbide / FEP-FKM | | | | | | | | |
| MSCSCVT- | Mouvex Seal carbon / stainless steel / FEP-FKM | | | | | | | | |
| PGSN- | Provided for normalized single mechanical seal | | | | | | | | |
| Internal relief valve | | | | | | | | | |
| C- | Single | | | | | | | | |
| 2C- | Double | | | | | | | | |
| ET- | Stirrup | | | | | | | | |
| Internal relief valve spring | | | | | | | | | |
| - | Without spring (stirrup) | | | | | | | | |
| 3- | 3 bar | | | | | | | | |
| 6- | 6 bar | | | | | | | | |
| 9- | 9 bar | | | | | | | | |
| 10- | 10 bar | | | | | | | | |



1.3 Identification and pump marking



| | | | |
|--|--|---------------|--|
| MOUVEX MADE IN E.U. | | Serial number | |
| RUE DES CAILLOTES - F89 AUXERRE | | Year | |
| Short description (ex : A12A-ST-ST-VT-BCA-MSTTVT-C-10-) | | | |
| Additional information (ex : ATEX marking) | | | |



2. GENERAL SAFETY INFORMATIONS



| | |
|--|---|
|  WARNING | |
|  | DISCONNECT THE ELECTRICITY SUPPLY BEFORE ANY MAINTENANCE OPERATION. |
| Dangerous voltage. Can cause injury and death. | |



| | |
|--|--|
|  WARNING | |
|  | DO NOT MAKE GETTING STARTED IN THE ABSENCE OF PROTECTION AGAINST OVERPRESSURE. |
| Hazardous pressure can cause personal injury or property damage. | |



| | |
|--|---|
|  WARNING | |
|  | DURING THE INSTALLATION AND MAINTENANCE PROCEDURES, ALL ELECTRICAL WORK MUST BE PERFORMED BY QUALIFIED PERSONNEL. |
| Dangerous voltage. Can cause injury and death. | |



| | |
|--|---|
|  WARNING | |
|  | RELEASE PRESSURE FROM THE SYSTEM BEFORE ANY WORK ON THE INSTALLATION. |
| Hazardous pressure can cause personal injury or property damage. | |



| | |
|--|--|
|  WARNING | |
|  | IF PUMPING HAZARDOUS OR TOXIC FLUIDS, THE PUMP MUST BE PURGED, FLUSHED AND CLEANED UP PRIOR TO PERFORMING ANY SERVICE OPERATION. |
| Hazardous or toxic fluids can cause serious injury. | |



| | |
|--|--|
|  CAUTION | |
|  | EXTERNAL SURFACES OF THE PUMP CAN BE AT A TEMPERATURE LIABLE TO CAUSE INJURY OR SEVERE DAMAGE. |
| Extreme heat can cause injury or property damage. | |

| | |
|--|---|
|  WARNING | |
|  | USE THE APPROPRIATE MEANS OF HANDLING TO THE WEIGHT OF THE PARTS. |
| The weight of the parts can be dangerous and may provoke bodily injuries or material damages. | |

| | |
|--|---|
|  CAUTION | |
|  | CLEAN ALL PUMPED LIQUID FLOWS OR LUBRICANT THAT COULD CAUSE A FALL. |
| Slippery lubricant. Spills should be cleaned up. | |

| | |
|--|--|
|  WARNING | |
|  | DO NOT PERFORM STARTUP WHEN THE PUMP IS NOT COMPLETELY RISE AND ITS PROTECTIONS WERE NOT REPLACED. |
| Do not operate without guard in place. | |

| | |
|--|--|
|  CAUTION | |
|  | CONTROL THE PARTS TEMPERATURE BEFORE ANY WORK ON THE INSTALLATION. |
| Extreme heat can cause injury or property damage. | |

| | |
|--|---|
|  WARNING | |
|  | STOP THE PUMP AND PREVENT RESTARTING, EVEN ACCIDENTALLY, BEFORE ANY WORK ON THE INSTALLATION. |
| Do not operate without guard in place. | |

3. INSTALLATION

3.1 Reception

MOUVEX is not responsible for any material damage resulting from transportation or unpacking.

On receipt, visually inspect the packaging to ensure it is not damaged. If necessary, indicate the appropriate reservations on the transport and send a registered letter to the carrier within 48 hours (if possible accompanied by photos).

When unpacking, check that the pump and any other materials are not damaged. If necessary, send a registered letter to the carrier within 48 hours (if possible accompanied by photos).

The pump must be supplied by the following documentation :

- Delivery note,
- Pump Instructions,
- If necessary, complementary Instructions (ex : ATEX),
- If necessary, Instructions materials provided with the pump (ex : motor, sensors...).

3.2 Installation design

3.2.1 Pump

To obtain the service expected from a MOUVEX pump, regarding both performance and longevity, it is vital that the type of pump, its speed and the materials used for its construction are determined as a function of the pump output, its installation and operating conditions.

You can contact our Technical Services at any time to ask for the information you require.

3.2.2 Piping

Not recommended



To be avoided if possible

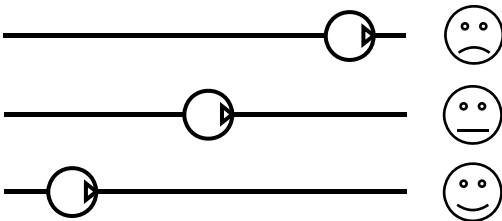


Recommended



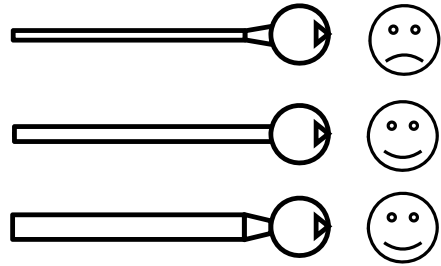
Suction pipe length

Length should be as short as possible.



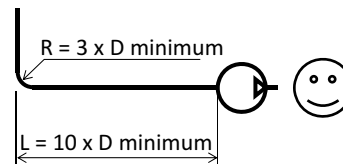
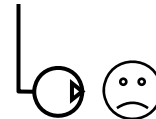
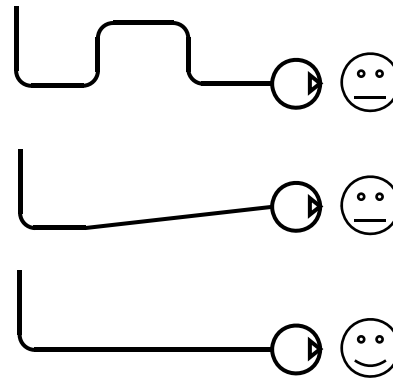
Suction pipe diameter

Diameter must be at least equal to pump port diameter and even more if required by pumping conditions.



Suction pipe configuration

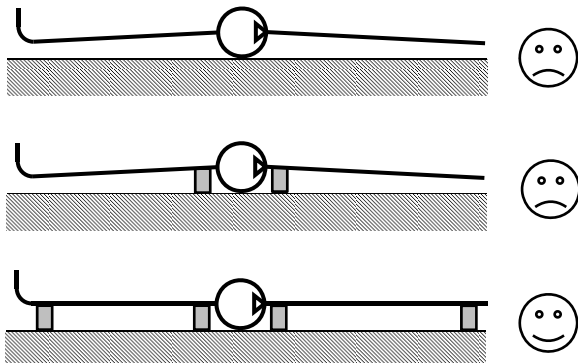
Check tightness to avoid accidental air intake.



3. INSTALLATION (continued)

Pipe alignment and supporting

Pump must not support piping nor endure stress resulting from piping weight or dilatation effects. For latters, expansion loops should be included.

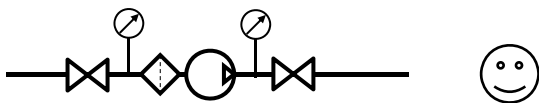


Pipe equipment

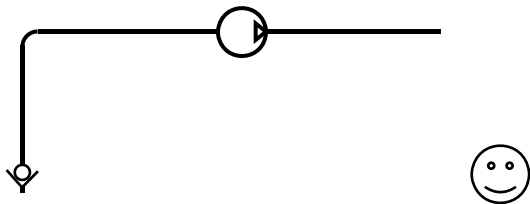
- Place valves close to the pump to avoid draining pipe during maintenance operations. Preferably select full bore ball or butterfly valves.

Pressure connections on pump suction and discharge are recommended for settings and controls.

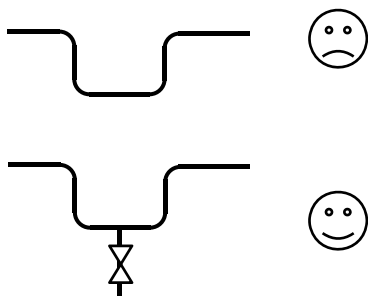
Protect pump by using a MOVEX prefilter on suction. Make sure piping, vessels valves and other installation devices are carefully cleaned before mounting.



- MOVEX pumps are self priming. However, if line emptying should be avoided and/or if suction lift is high, a foot valve can be added.



- If pumped liquid presents a risk of in pipe solidification and potential dilatation, low points on the pipe should be avoided or equipped with drain valve.



- If installation is heated, it must be designed so that fluid dilatation can evacuate through piping. Therefore fluid contained in piping must be heated before fluid contained in the pump. Also check that a heated pump is not isolated by closed valves.

3.3 Installation and pump protection



Do not startup the pump if there is no protection against overpressure.

The pump must be protected against excess pressure. It can be delivered with a internal relief valve or a pressure switch to carry out this function.

If pump is used in both directions, the pump must be protected in both directions of operation.

3.3.1 Protection by integrated relief valve

NOTICE

Pump internal relief valve cannot be used to protect the installation.

3.3.1.1 Internal relief valve operation

The compensated internal relief valve operates like a valve, by automatically limiting the discharge pressure at the value for which it is adjusted.

When the discharge pressure reaches the adjusted pressure of the spring, the valve opens, thus permitting the partial or total return of the liquid to the inlet side of the pump.

When the discharge is closed, the compensated internal relief valve is designed to generate a very small increase of pressure, relative to the setting pressure, which means that the motor will economically supply the necessary additional power for specific working conditions.

It should be noted that the role of the internal relief valve is limited to protecting the pump against accidental overpressure.

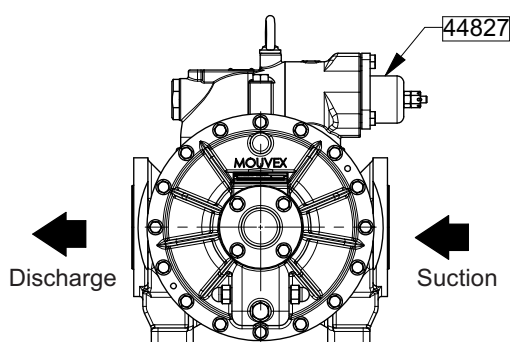
It is vital to provide an appropriate overload protection for the drive, unless the model used can handle the increased load due to maximum overpressure (pump sending its flow through the internal relief valve with the spring tightened to the maximum).

The double internal relief valve assembly consists of two single internal relief valves in opposition. This protects the pump in both directions of rotation without the need for mechanical intervention. Operation on each direction is identical as above. The setting of this internal relief valve must be performed for both directions of operation.

3. INSTALLATION (continued)

3.3.1.2 Internal relief valve orientation

Contrary to double internal relief valve designed for protect the pump in the two directions of rotation, the single internal relief valve only protects the pump in one direction of operation. It is therefore imperative to check for proper orientation before the first start of the installation or after any modification in the pumping circuit or intervention on the drive, by verifying that the cap 44827 is located on the inlet side and reverse the mounting direction of the internal relief valve if necessary.



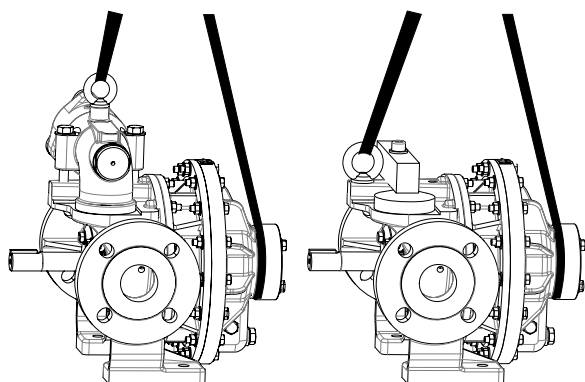
This control is not necessary in the case of a double internal relief valve, protecting the pump in both directions of operation.

To modify the mounting direction of the internal relief valve, see § RELIEF VALVE.

3.4 Hoisting devices

Use a lifting ring, fixed to the upper part of the pump, to raise it.

- Pump with relief valve : threaded hole M10 on the relief valve.
- Pump with stirrup : threaded hole M12 on the pump main body.



Pump weight : see § TECHNICAL CHARACTERISTICS.

3.5 Unit assembly

3.5.1 Anchoring the pump units

The correct seating of the pump is vital for its efficient operation and its longevity.

The surface must be resistant enough to absorb the stresses due to the pump unit without deformation.

In the case where the unit is fastened by anchor lugs or bolts, it must be carefully wedged to prevent any deformation of the chassis when tightening the bolts. Deformation of the chassis will cause stress prejudicial to the pump and the drive device and put the coupling out of true, thereby causing vibrations, noise and premature wear. Care must be taken so that the chassis is clear of the ground, apart from the base plates.

The chassis is equipped with a ground connection that must be used.

We recommend leaving an unoccupied space of about 50 cm, on either end of the chassis, to permit access to the bolts fastening the pump, reduction gear and motor together.

3.5.2 Coupling selection

NOTICE

Over 5 bar, the pump must be mounted with a double coupling type.

3.5.3 Alignment of motor / pump and reduction gearbox / pump shafts



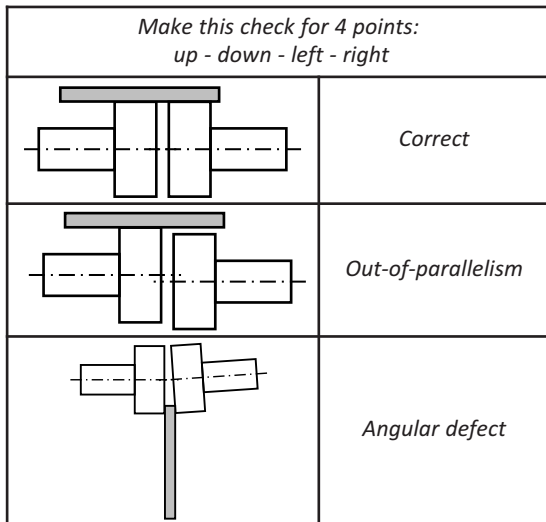
Do not start the pump as long as it is not secured and its protections not in place.

It is important to control the alignment of motor / pump and reduction gearbox / pump shafts at every step of installation in order to ensure that none of these steps generates stress on the pump unit or the pump itself :

- after fastening on foundations,
- after fastening the piping,
- after the pump has operated at normal operating temperature.

3. INSTALLATION (continued)

The 3 figures below show the operation clearly.



Refer to manufacturer's instructions to determine the acceptable values.

NOTICE

Do not rely on the flexible coupling to compensate for misalignment.

3.5.4 Motorization

The drive choice must be made in order to comply with the conditions of the pump (speed, absorbed power).

The direction of rotation of the pump unit must be checked before the first startup and after any work on the gear motor that may have affect its rotation direction. To do this, follow the instructions in § COMMISSIONING - DIRECTION OF ROTATION .

3.5.4.1 Electric motors

Refer to manufacturer's instructions for the motor installation.

A particular attention should be given to the following instructions :

- check that the supply voltage matches the indications on the motor rating plate,
- comply with the wiring diagram, make sure the wires are rated for the power and take care with the contacts which must be thoroughly tightened,
- the motor must be protected by appropriate circuit breakers and fuses,
- connect the regulatory ground connections.

3.5.4.2 Diesel engine drive

Refer to manufacturer's instructions for the motor installation.

4. USE

4.1 Noise level

The sound level of a pump is greatly influenced by its conditions of use. Cavitation and pumping products with high gas contents generally increases the sound level.

Under the following pumping conditions :

- excluding cavitation
- suction pressure 0 barg
- differential pressure 10 bar
- speed of rotation..... 500 rpm
- pumped product viscosity 10 cSt.

The sound level reached for a A12A pump in good conditions without the drive is less than 80 dB(A).

With no particular installation design being retained, sound level has been measured at 1 m from pump surface and 1.6 m. above ground. Maximum value measured from discharge port was 78 dB(A).

4.2 Commissioning

4.2.1 Cleaning

The pumps are delivered well greased, it may be necessary to clean them before putting them in use.

The cleaning can be done either by circulating an appropriate liquid, or by removing the pump front cover and carefully cleaning the internal parts (see § OPENING OF THE PUMP).

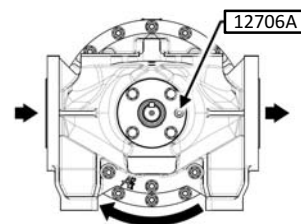
4.2.2 Direction of rotation

The MOUVEX pump is reversible; this allows it to always circulate the liquid in the desired direction by choosing the corresponding direction of rotation. However, to obtain best performances of the pump, following rule is to be applied depending on pumped product :

- a) Pumping of fluids remaining liquid even if temperature rises (no change of form such as solidification, polymerization, crystallization, excessive viscosity increase...). End cover must be in relation with discharge side. This is controllable externally by checking position of screw 12706A which must be on discharge side.

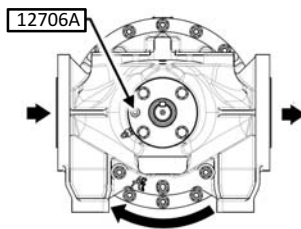
Unless an opposite mention on order, pumps will systematically be delivered in this configuration.

This configuration corresponds to a huge majority of applications and especially offers the best priming performances.



4. UTILISATION (continued)

- b) Pumping of products that may possibly show a change of state if temperature rises of more than 20°C/68°F compared to inlet temperature : solidification, polymerization, crystallization, excessive viscosity increase.

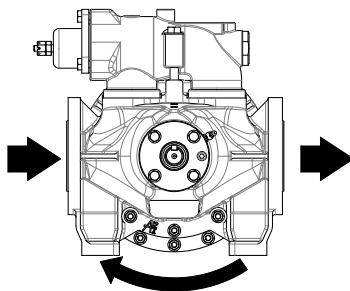


Screw 12706A must then be located on suction side. This position ensures a better fluid internal circulation avoiding a possible temperature rise. It however decreases self-priming ability and may lead to a flow rate reduction, especially on low viscosity fluids. **Consult us for any question regarding this configuration.**

To reverse the main rotation direction of the pump, see § REVERSE OF MAIN ROTATION DIRECTION .

For applications requiring the two directions of rotation provide the same hydraulic performance, contact our Technical Services.

The suction and discharge sides are defined as follows : when an observer faces the shaft, if rotation takes place clockwise, the intake is on the left; on the contrary if the rotation is anticlockwise, the intake is on the right.



The reverse of the direction of rotation should be done after a full stop of the pump.

Controlling the direction of rotation of the motor :

This control must be done without pump product and suction and discharge circuits vented to avoid generating unexpected pressure (at suction for example).

Start the pump unloaded to control the connections are good and check the direction of rotation corresponds to the direction of inlet and outlet installation.

4.2.3 Starting-up

Before starting-up, make sure that the pumping conditions are met. The circuit must be in one of its pumping configurations with corresponding valves open and especially the inlet valve.

NOTICE

With a product requiring heating, the product must be brought to its pumping temperature before starting up the pump.

See also the recommendations in § INSTALLATION DESIGN - PIPING.

4.2.4 Surface temperature

Depending on the operating conditions (temperature of the pumped liquid, differential pressure ...), the use of the pump can generate high surface temperatures.



When these temperatures exceed 80°C, protective measures must be implemented, like :

- reduction of contact with heated surfaces ;
- warning to operators.

These measures must be taken from 68°C in case of reduced space around pump, possibly leading to a longer contact with pump surface.

4.3 Operation without any pumped product

Pumps using the MOUVEX principle can be run dry, without any pumped product in the pump (for example during the priming) for a period of six minutes, without causing damage.

Additional restrictions may apply to certain applications. If necessary, refer to additional instructions supplied with the pump (ex : ATEX additional instructions, specific instructions for mechanical seals...).

4.4 Shutting down the pump

When shutting down the pump, we recommend waiting for the pump to stop completely before closing the valves, especially the inlet valve.

If the pump circuit is to be located between valves and/or a non-return valve, you need to take account of the variations in temperature that can lead to contraction of the liquid in the circuit. In this case, you need to provide some means of compensating for the contraction (see § INSTALLATION DESIGN - PIPING for examples of possible measures). The opening pressure for this valve should be compatible with the permitted pressure for the other components in the circuit.

In the case of liquids containing particles settling on shut-down, it is necessary to make sure the consistency of the deposit will not impede restarting the pump.

5. OPENING OF THE PUMP

5.1 Preparation

5.1.1 Necessary tools

| | Reverse of main rotation direction | Cylinder - piston | Bushings | Mechanical seal | Bearing | Piston bearing | Slide block | Slide block shaft | Slide block pads | Piston rear seat | Shaft | Internal relief valve | Stirrup |
|--|------------------------------------|-------------------|----------|-----------------|---------|----------------|-------------|-------------------|------------------|------------------|-------|-----------------------|---------|
| 13 mm Open end and socket wrenches | x | x | x | x | x | x | x | x | x | x | x | | |
| 16 mm Open end and socket wrenches | | | | | | | | | | | | x | |
| 17 mm Open end and socket wrenches | | | | | | | x | x | x | | | x | |
| 18 mm Open end and socket wrenches | x | | | | | | | | | | | x | |
| 19 mm Open end and socket wrenches | x | x | x | x | x | x | x | x | x | x | x | x | x |
| Adjustable open end wrench 44 mm | | | | | | | | | | | | x | |
| Allen wrench size 2,5 | | | | x | | | | | | | | | |
| Allen wrench size 6 | x | | | x | x | x | | | | | x | | |
| Allen wrench size 10 | | | | | | | | | | | | | x |
| Flat screwdriver | | x | x | x | x | x | x | x | | | x | | |
| Mallet | | x | x | x | x | x | x | x | | | x | | |
| Bearing puller (bore Ø 28 mm depth 50 mm) | | | x | | | | | | | | | | |
| Pin punch Ø 2,5 mm | | | | | | | | | | | | x | |
| Pin punch Ø 3 mm | | | | x | | | | | | | | | |
| Pin punch Ø 5 mm | | x | x | x | x | x | x | x | | | x | | |
| Block (see § CYLINDER-PISTON) | | x | x | x | x | x | x | x | | | x | | |
| Cylinder Ø 58 | | | x | | | | | | | | | | |
| Tube outside Ø 61 | | | | | x | | | | | | | | |
| Press | | | x | | x | | | | | | | | |
| Medium thread lock type Loctite® 243* or equivalent. | x | x | x | x | x | x | x | x | x | x | x | | |
| Thread sealant product - medium strength type Loctite® 577* or equivalent. | | | | | | | | | x | | | | |
| Tightness product for flat surfaces : applications on solvents : GEB oil® or equivalent ; other applications : Loctite® 574* or equivalent | | x | | | | | | | | | | | |
| Fixing product type Loctite® 640* or equivalent | | | | | | | | x | | | | | |
| Flat file | | | | | | | | x | | | | | |
| Sand paper (n°320) | | | | x | | | | x | | | | | |
| Stud remover M8 | | x | | | | | | | | | | | |
| Stud remover M10 | | | | | | | | x | x | | | | |
| Bearing grease (see § MAINTENANCE) | x | | | x | x | | | | | | x | | |

| | |
|---------------------------------------|--|
| For setting or control operation | |
| For spare parts replacement operation | |

* Loctite® is a registered trademark.

5. OPENING OF THE PUMP (continued)

5.1.2 Assembly torques

| | |
|--------------------|------------|
| M6 | 5 ±2 N.m |
| M8 | 11±5.5 N.m |
| M10 (studs) | 35±8 N.m |
| M10 (others)..... | 20±6 N.m |
| G1/4 | 3,5±1 N.m |
| G1/2 conical | 6±2 N.m |

5.1.3 Pump preparation



Before any intervention on the pump :

If pumping hazardous or toxic fluids, the pump must be purged, flushed and cleaned up prior to performing any service operation.

Stop the pump and prevent restarting, even accidentally, before any work on the installation.

Disconnect the installation.

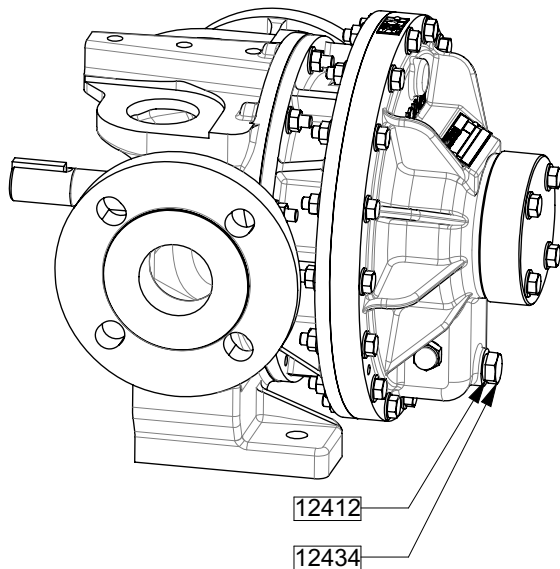
Relieve the system pressure.

Control the parts temperature.

Drain the pump.

Make sure the isolation valves, if any, are closed before pulling out the drain plug 12434 and its seal 12412.

Remove the seal 12412 and check its condition. Replace it if necessary.



Once the pump is drained, fit the plug 12434 and its seal 12412.

5.2 Reverse of main rotation direction

5.2.1 Dismantling

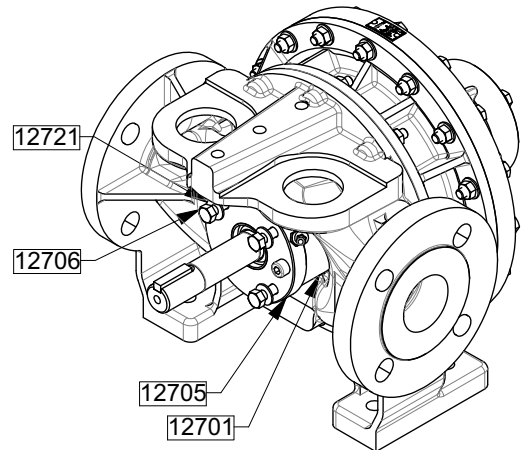
Disconnect the pump from the engine and remove the coupling.

- Coupling supplied by MOUVEX

Remove the locking screw, then remove the coupling and check its condition. Replace it if necessary.

- Other coupling

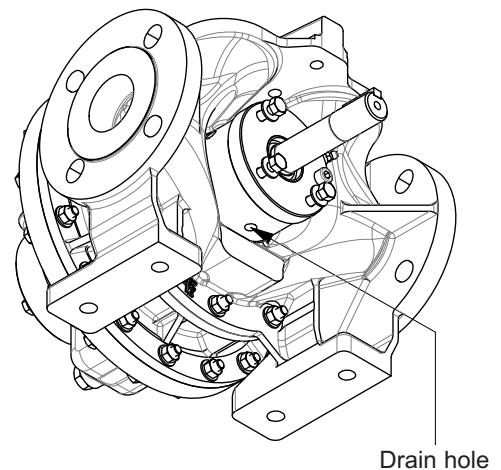
Refer to manufacturer's instructions.



Remove the screws 12706 and theirs washers 12721.

Without remove the parts from the main body, rotate bearing cover 12705 – bearing cage 12701 subassembly to obtain the desired position (drain holes must remain in vertical position ; do not confuse with pin hole).

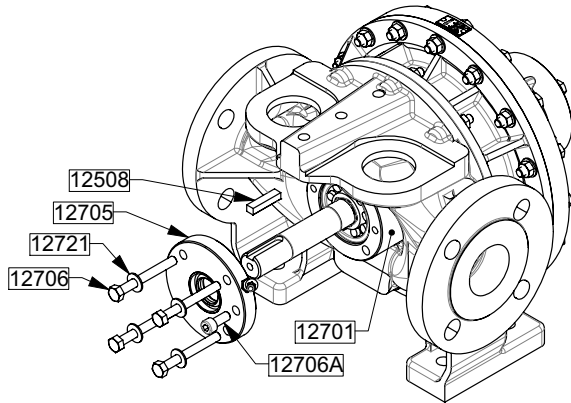
Fit the screws 12706 and theirs new ridged conic washers 12721 with medium thread lock.



5. OPENING OF THE PUMP (continued)

If bearing cage 12701 remain stucked to the main body 12101, apply the following procedure :

- Remove the key 12508.
- Remove the screw 12706A.
- Remove the bearing cover 12705 taking care not to damage the lip seal 12707 on the key housing edges.

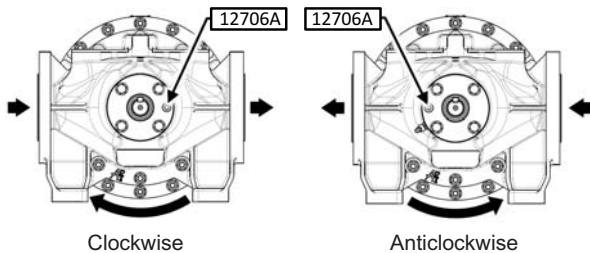


- Position two screws 12706 into the threaded holes of the bearing cage 12701. Keep tightening screws 12706, with balanced tightening between the two screws until parts separate.
- If necessary, clean the bearing 12703 and fill it with grease.
- Refit the bearing cover with its screw 12706A.
- Refit the key 12508.

Positions detail

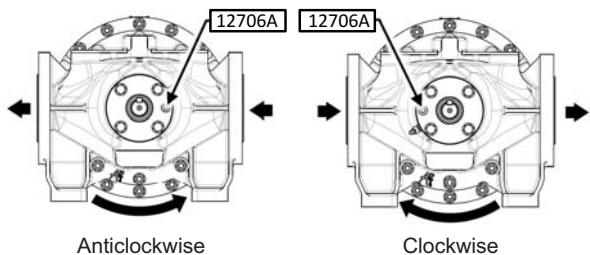
- a) Pumping of fluids remaining liquid even if temperature rises (no change of form such as solidification, polymerization, crystallization, excessive viscosity increase...).

Main direction of rotation



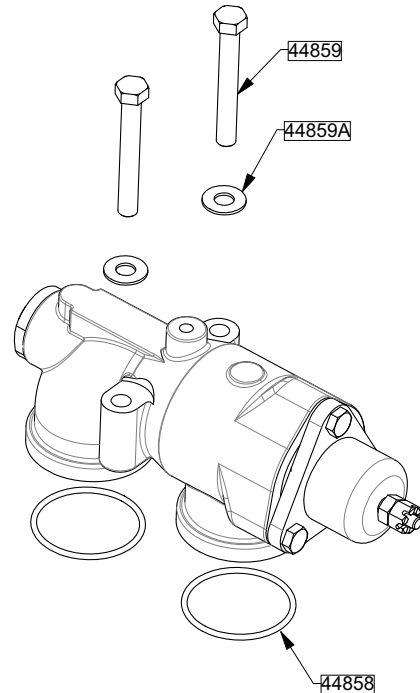
- b) Pumping of products that may possibly show a change of state if temperature rises of more than 20°C/68°F compared to inlet temperature : solidification, polymerization, crystallization, excessive viscosity increase.

Main direction of rotation



5.2.2 Pump with single relief valve

Reverse internal relief valve position as follow.



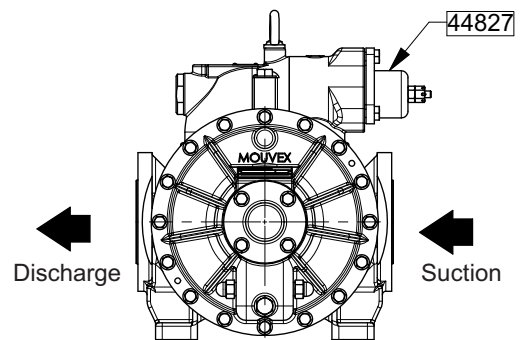
Remove the screws 44859 and theirs washers 44859A.

Remove the seals 44858 and check their condition.

Replace them if necessary.

Position the seals 44858 in their grooves.

Turn the internal relief valve through 180° (the internal relief valve cap 44827 must be oriented suction side).



Take care not to pinch the seal 44858 during the assembly.

Fit the screws 44859 with their new ridged conic washers 44859A. Tighten the screws making sure tightening is balanced between the two screws.

5.2.3 Pump with double relief valve

Check that pressure settings correspond to requirements for each direction of rotation.

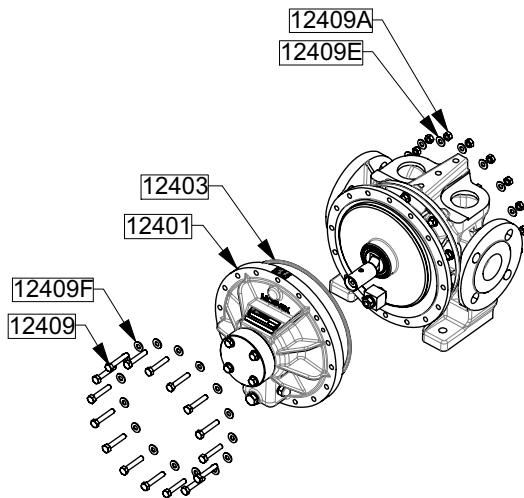
If necessary, proceed to settings (see § RELIEF VALVE - OPENING PRESSURE SETTING).

5. OPENING OF THE PUMP (continued)

5.3 Cylinder - piston

5.3.1 Dismantling

Dismantling of front cover



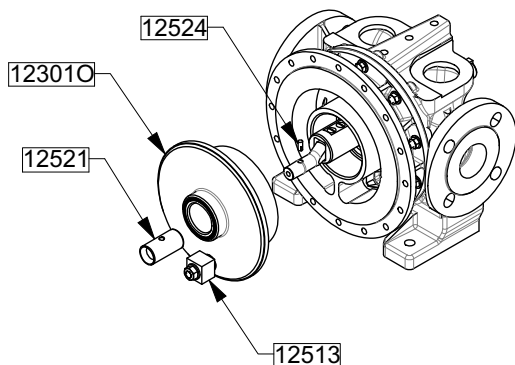
Remove the front cover bolts (screw 12409, nuts 12409A and washers 12409E - 12409F).

Remove the front cover set (12401-12403-12414-12415-12416-12417-12420-12310-12311) by progressively separating it from the pump body. If necessary, use the threaded holes on the front cover by screwing progressively two screws 12409.

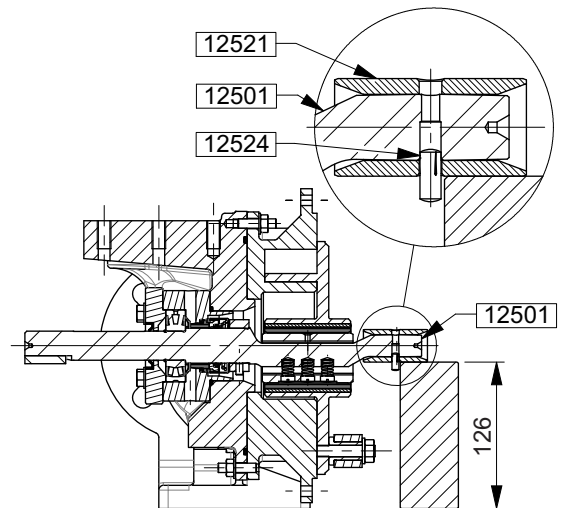
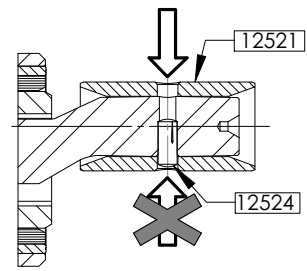
Remove the seal 12403 and check its condition. Replace it if necessary.

Check the front cover bushing 12415 condition. Replace it if necessary.

Dismantling of piston



Remove the pin 12524.



NOTICE

To avoid damaging mechanical seal during this operation, shaft must be supported by a block (select a non-hard material to avoid damaging the sleeve).

Remove the sleeve 12521.

Remove the piston 12301O by softly pulling on slide block 12312. If necessary, use a screwdriver as a lever to pull it away from cylinder 12201 (be careful not to damage friction faces).

Rotate the shaft 12501 to place piston bearing 12503 in top position.

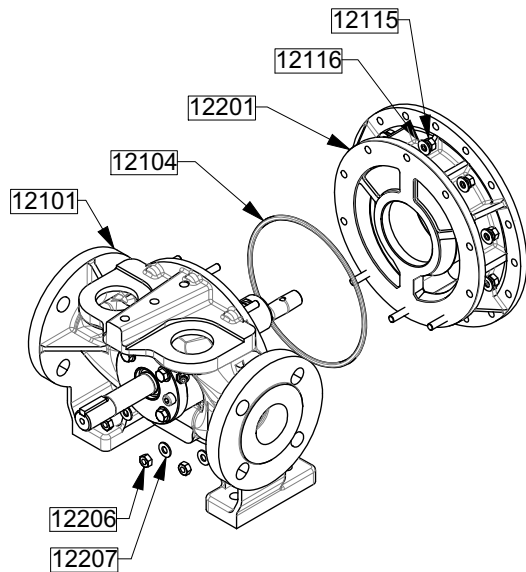
Extract the piston 12301O pulling it while pressing vertically above to compress the springs 12504.

Check piston 12301O condition. Replace it if necessary.

Check piston bushing 12303 condition. Replace it if necessary.

5. OPENING OF THE PUMP (continued)

Dismantling of cylinder



Remove the nuts 12206-12115 and their washers 12207-12116.

Separate the cylinder 12201 from the main body 12101 with a mallet and remove the seal 12104 and check its condition. Replace it if necessary.

Check the cylinder 12201 condition. Replace it if necessary.

CAUTION

Proper pumping characteristics require a piston and cylinder couple with paired dimensions. Therefore replacement of piston or cylinder requires replacement of the piston/cylinder couple.

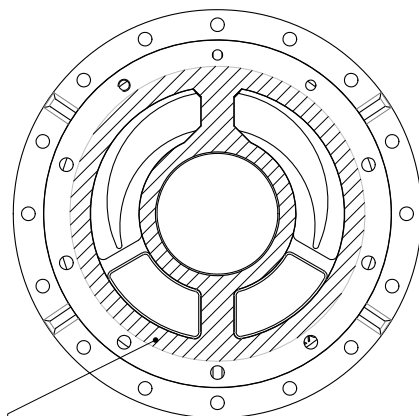
5.3.2 Reassembly

Assembly of cylinder

Clean the housing of seal 12104.

Fit the seal 12104 in the main body 12101.

Apply a sealing product between the main body 12101 faces and the cylinder 12201 (see § PREPARATION).

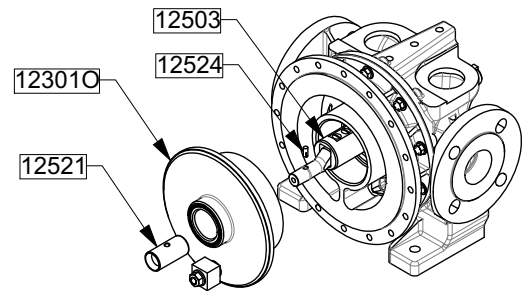


Sealing product application zone

Fit the nuts 12206 and 12215 with their new ridged conic washers 12207 and 12116.

Take care not to pinch the seal 12104 during the assembly.

Assembly of piston

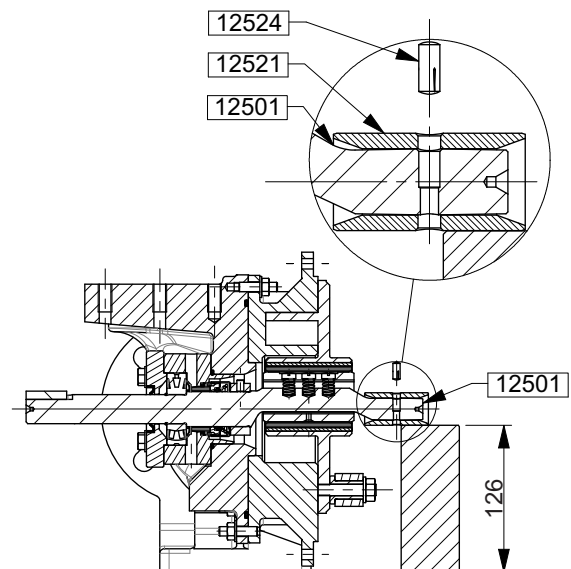


Lubricate the friction surfaces of the piston 123010 with a product compatible with the pumped liquid.

Fit the piston 123010 on its piston bearing 12503.

Fit the sleeve 12521 on the shaft 12501.

Fit the pin 12524 (until it cannot move any forward) taking care not to damage the sleeve.

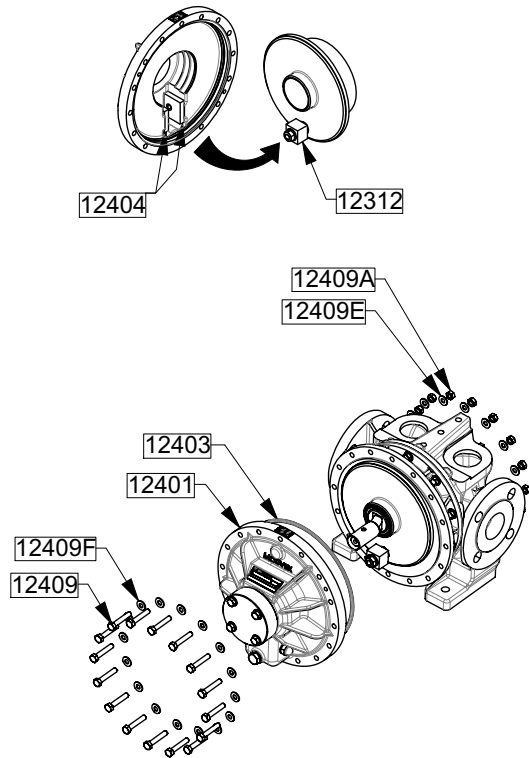


NOTICE

To avoid damaging mechanical seal during this operation, shaft must be supported by a block (select a non-hard material to avoid damaging the sleeve).

5. OPENING OF THE PUMP (continued)

Assembly of front cover



Clean the housing of seal 12403.

Fit the seal 12403 on the cylinder 12201.

Orientate the slide block 12312 to make it pass between the pads 12404.

Fit the front cover 12401 on the cylinder 12403.

Take care not to pinch the seal 12403 during the assembly.

Take care not to damage the bushing 12415 during the assembly.

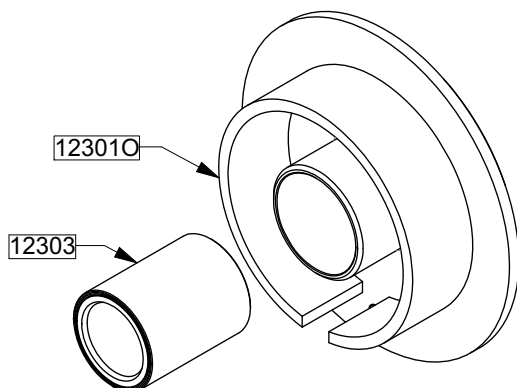
Fit the screws 12409 and nuts 12409A with their new ridged conic washers 12409E and 12409F.

5.4 Bushings

5.4.1 Dismantling

Follow the instructions in § CYLINDER - PISTON.

Piston bushing



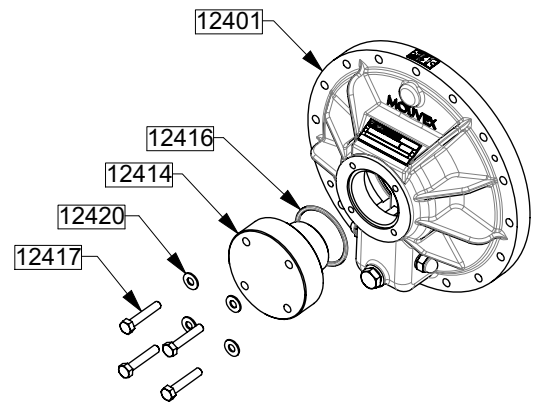
Remove the bushing 12303 of the piston 12301O with a press and a cylinder.

NOTICE

To avoid deforming the piston, apply the force on the housing face of the bushing.

Remove preferably the bushing in the direction shown on the view.

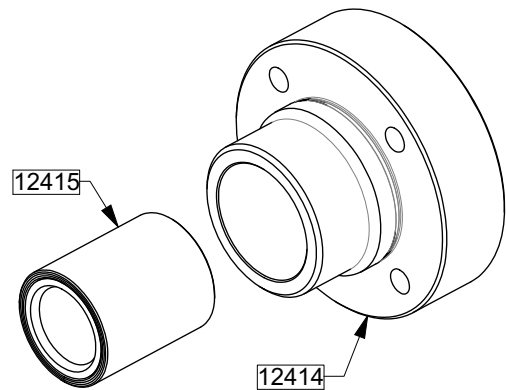
Front cover bushing



Remove the screws 12417 and their washers 12420.

Remove the set front cover bearing - bushing (references 12414 - 12415 - 12416) from the front cover 12401.

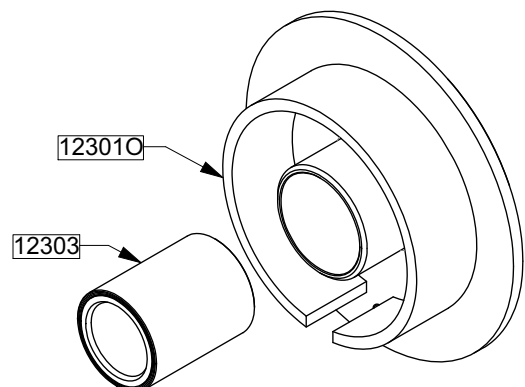
Remove the seal 12416 and check its condition. Replace it if necessary.



Remove the bushing 12415 of front cover bearing 12414 with a puller.

5.4.2 Reassembly

Piston bushing



5. OPENING OF THE PUMP (continued)

Insert the bushing 12303 in the piston 12301O with a press and a cylinder until the faces of the bushing and the piston are aligned (on both sides).

NOTICE

To avoid deforming the piston, apply the force on the housing face of the bushing.

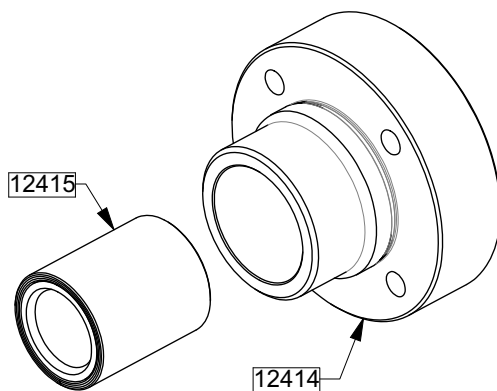
Thoroughly clean the parts before assembly.

Insert preferably the bushing in the direction shown on the view.

Do not add glue or grease.

Carbon bushing only : Effort must be made only on metal liner and not on the carbon bushing.

Front cover bushing



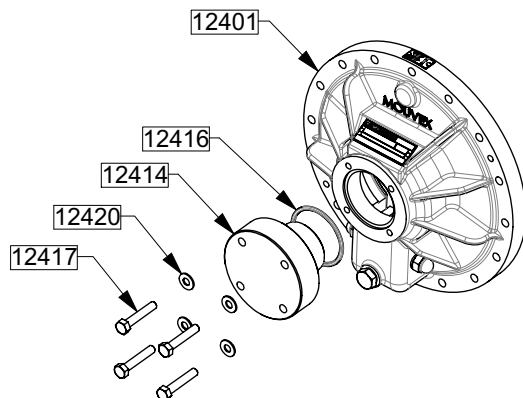
Orientate bushing chamfer on the outer side (see scheme above).

Insert the bushing 12415 in the front cover bearing 12414 using a press and a cylinder until bushing 12415 and front cover bearing 12414 faces are aligned.

NOTICES

Do not add glue or grease.

Carbon bushing only : Effort must be made only on metal liner and not on the carbon bushing.



Clean the housing of the O-ring 12416.

Fit the O-ring 12416 on the front cover bearing 12414.

Fit the screws 12417 and their new ridged conic washers 12420 with medium thread lock.

Follow the instructions in § CYLINDER-PISTON to finish the reassembly.

5.5 Mechanical seal

5.5.1 Type

The A12A pumps can be equipped with :

- standardized mechanical seals $\varnothing 30$ (short types standardized mechanical seals - K - according to EN 12756),
- MOUVEX mechanical seals $\varnothing 30$.

5.5.2 Operation

The shaft drive the one piece rotating part in a rotary motion.

The stationary seal face is fixed on the pump body.

Sealing is done :

- Static, by the O-rings located between the rotating part and the shaft and between the stationary seal face and the pump body.
- Dynamic, by the contact surfaces between the rotating part and the stationary seal face.

Sealing is therefore done as a function of the condition of these contact surfaces and the seals.

5.5.3 Dismantling

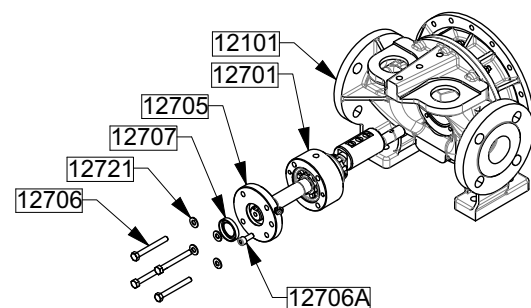
Preparation

Disconnect the pump from drive and remove the coupling and the key 12508.

- Coupling supplied by MOUVEX
Remove the locking screw, remove the coupling and check its condition. Replace it if necessary.
- Other coupling
Refer to manufacturer's instructions.

Follow the instructions in § CYLINDER - PISTON.

Dismantling of bearing cover



Note the position of the screw 12706A (right or left).

Remove the screws 12706 and their washers 12721.

5. OPENING OF THE PUMP (continued)

Remove from the main body 12101 the set shaft - bearing cover - bearing cage - seal - bearing - mechanical seal - piston bearing (references 12501 - 12503 - 12504 - 12511 - 12600 - 12627 - (12641 - 12642) - 12701 - 12703 - 12704 - 12705 - 12706A - 12707 - 12708 - 12717 - 12733).

Remove the screw 12706A.

Remove the bearing cover 12705, taking care not to damage the lip seal 12707 on the key housing edges.

Check the lip seal 12707 condition. Replace it if necessary.

If bearing cage 12701 would remain stucked on main body 12101, follow the following procedure :

- Note the position of the screw 12706A (right or left).
- Remove the screw 12706A.
- Remove the bearing cover 12705 taking care not to damage the lip seal 12707 on the key housing edges.
- Position two screws 12706 in the bearing cage 12701 threaded holes. Keep tightening the screws 12706, with balanced tightening between the two screws until parts separate.

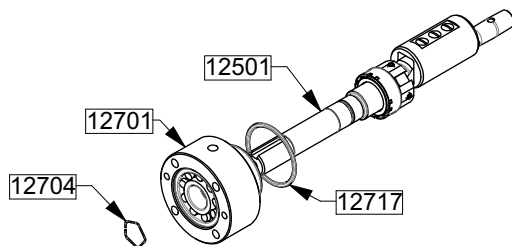
NOTICE

Once bearing cover 12705 is removed, shaft is hold only by the bearing and may fall which could damage the mechanical seal. To prevent this, keep holding shaft 12501 and bearing cage 12701 to limit ball joint movement, for instance by putting it vertically.

NOTICE

Once bearing cover 12705 is removed, the bearing is no longer protected against impurities. To prevent any pollution of bearing grease, cover bearing with a protection sheet.

Dismantling of the bearing cage



Remove the seal 12717 and check its condition. Replace it if necessary.

Remove the ring 12704.

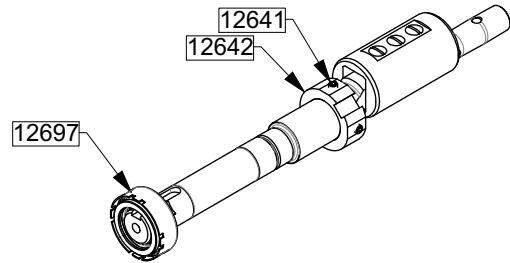
Remove the shaft 12501 from the set bearing cage - bearing (references 12701 - 12703 - 12733 - 12627 and stationary seal face mechanical seal), taking care not to damage the Nilos seal 12733.

Dismantling of MOUVEX mechanical seal

NOTICE

Mechanical seal components must never be put on friction faces without protection sheets.

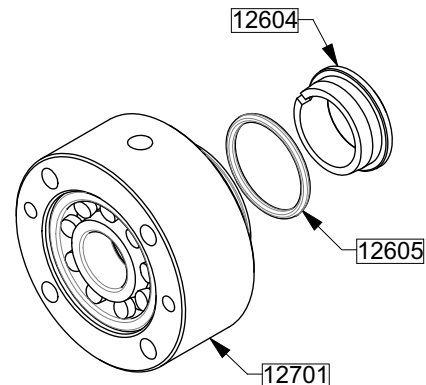
- Dismantling of the mechanical seal rotating part



Remove the rotating part 12697 (the mechanical seal driver 12641 and its screws 12642) from shaft 12501 taking care not to scratch it.

If necessary, clean friction face with a clean, soft cloth. Caution not to scratch friction face.

- Dismantling of the mechanical seal stationary seal face



Remove the stationary seal face 12604 and its seal 12605.

If necessary, clean friction face with a clean, soft cloth. Caution not to scratch friction face.

Dismantling of mechanical seal (other)

Refer to manufacturer's instructions.

5. OPENING OF THE PUMP (continued)

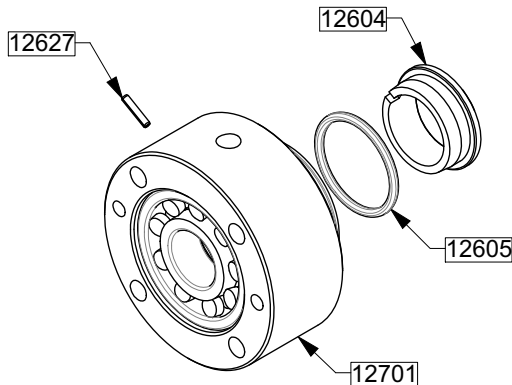
5.5.4 Reassembly

Reassembly of MOUVEX mechanical seal

NOTICE

Mechanical seal components must never be put on friction faces without protection sheets.

• Assembly of mechanical seal stationary seal face

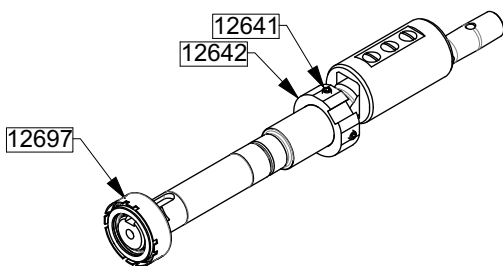


If necessary, clean the bearing 12703 of its grease.
Clean the housing of seal in the bearing cage 12701.
Fit the seal 12605 in the bearing cage 12701.

Fit the stationary seal face 12604 in the bearing cage 12701, taking care of aligning pin 12627 located in the bearing cage 12701 with groove on the stationary seal face 12604.

If necessary, clean friction face with a clean, soft cloth. Caution not to scratch friction face.

• Assembly of mechanical seal rotating part



Check shaft 12501 surface condition. Rub it down with thin sand paper if there are scratches on seal rotating part O-ring place. In particular, it must be check that there are no scratches parallel to shaft axis.

Fit the new mechanical seal driver 12641 and its screws 12642 on the shaft 12501, and position it so that it cannot move any forward. Fit the screws 12642 with medium thread lock.

To reduce friction, wet with water or alcohol surfaces on which O-rings will slip during assembly.

If seal includes FEP coated FKM O-rings, use mounting cone supplied with mechanical seal.

Fit the rotating part 12697 aligning ergots driver 12641 grooves.

If necessary, clean friction face with a clean, soft cloth. Caution not to scratch friction face.

Reassembly of mechanical seal (other)

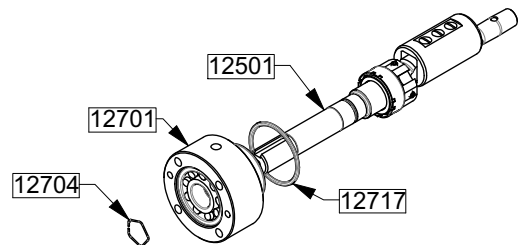
Refer to manufacturer's instructions.

Fit the mechanical seal rotating part on the shaft 12501 and position it so that it cannot move any forward.

NOTICE

If seal presents a large inlet chamfer, position seal manually so that its end correspond to the stop.

Assembly of the bearing cage



Fit the set bearing cage (12701 - 12703 - 12733 - 12627 and mechanical seal stationary seal face) on the shaft 12501.

NOTICE

As long as bearing cover 12705 is not mounted, shaft is hold only by the bearing and may fall which could damage the mechanical seal. To prevent this, keep holding shaft 12501 and bearing cage 12701 to limit ball joint movement, for instance by putting it vertically.

Fit the ring 12704 on the shaft 12501.

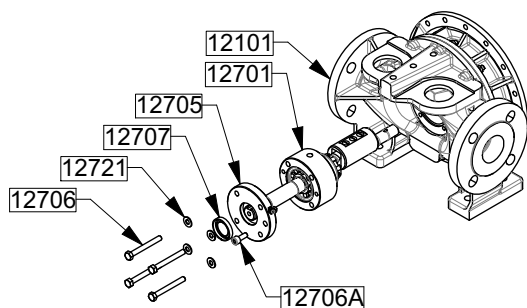
If necessary, fill the bearing 12703 with grease (see § MAINTENANCE - GREASING).

Clean the housing of seal 12717.

Fit the seal 12717 on the bearing cage 12701.

5. OPENING OF THE PUMP (continued)

Assembly of bearing cover



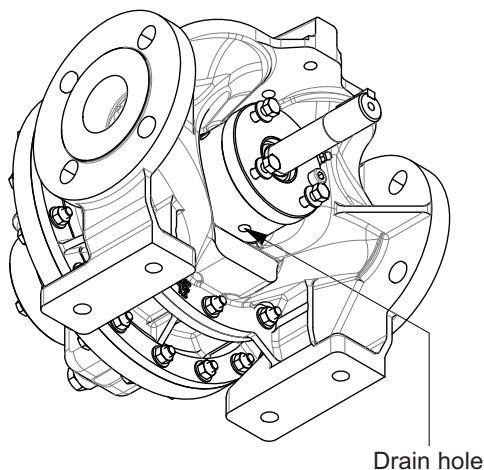
If necessary, fit the lip seal 12707, lip orientated outside in the bearing cover 12705.

Fit the bearing cover 12705 in the bearing cage 12701.

Fit the screw 12706A.

Insert shaft assembly in the main body 12101 taking care to :

- position the screw 12706A on same side as before dismantling. When changing the direction of rotation of the pump, see § REVERSE OF MAIN ROTATION DIRECTION ;
- position bearing cage 12701 drain holes in vertical position (do not confuse with pin hole).

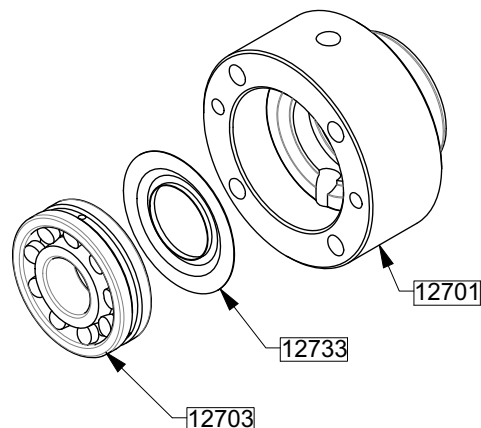


Fit the screws 12706 and their new ridged conic washers 12721 with medium thread lock.

If necessary, grease the bearing (see § MAINTENANCE - GREASING).

Follow the instructions in § CYLINDER - PISTON to complete reassembly.

5.6 Bearing



5.6.1 Dismantling

Follow the instructions in § MECHANICAL SEAL.

After removing the bearing cage 12701, remove the bearing 12703 of the cage 12701 with a press.

5.6.2 Reassembly

Clean the bearing housing 12703.

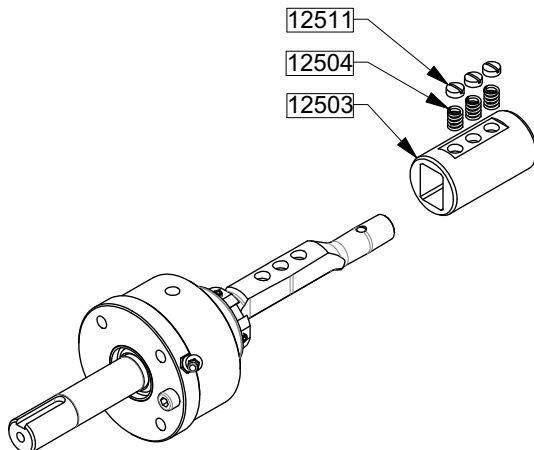
Fit the Nilos seal 12733 in its housing.

Fit the bearing 12703 in the bearing cage 12701 by pressing on its outer ring with a press and a tube.

Follow the instructions in § MECHANICAL SEAL to finish the reassembly.

5. OPENING OF THE PUMP (continued)

5.7 Piston bearing



5.7.1 Dismantling

Follow the instructions in § MECHANICAL SEAL to remove the set shaft - bearing cover - bearing cage - seal - bearing - mechanical seal - piston bearing (references 12501 - 12503 - 12504 - 12511 - 12600 - 12627 - (12641 - 12642) - 12701 - 12703 - 12704 - 12705 - 12707 - 12708 - 12717 - 12733).

Remove the screws 12511.

Remove the springs 12504 and check their condition. Replace them if necessary.

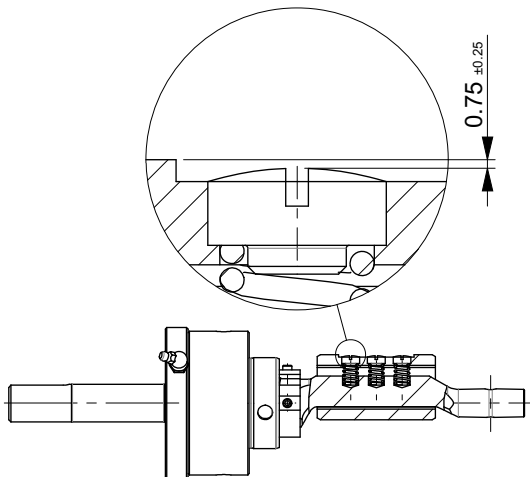
Remove piston bearing 12503.

5.7.2 Reassembly

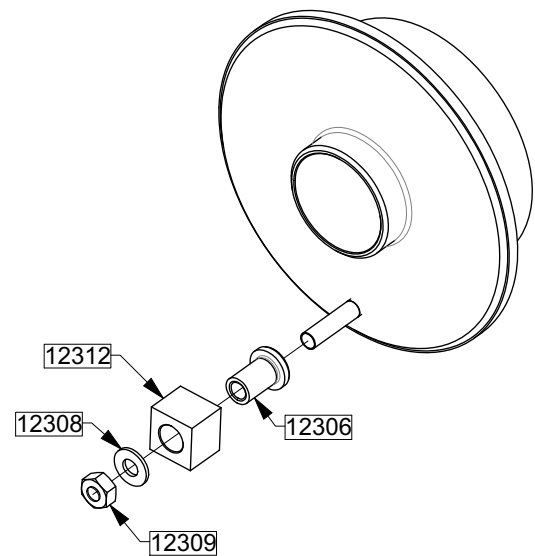
Fit piston bearing 12503.

Fit the springs 12504 in their housings.

Fit the screws 12511.



5.8 Slide block



5.8.1 Dismantling

Follow the instructions in § CYLINDER - PISTON.

Remove the nut 12309 and its washer 12308.

Remove the slide block 12312 and its bushing 12306 and check their condition. Replace them if necessary.

5.8.2 Reassembly

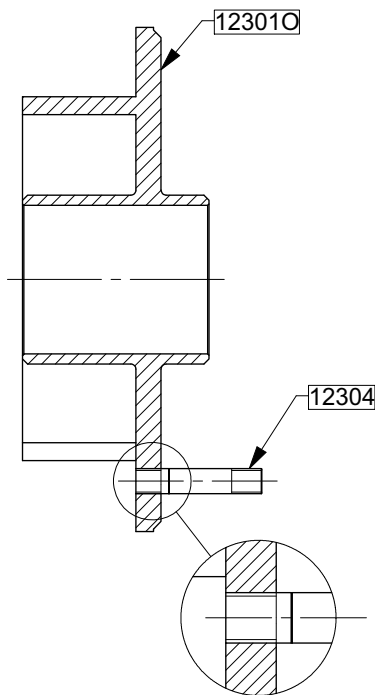
Fit the slide block bushing 12306 and the slide block 12312.

Fit the nut 12309 and its washer 12308.

Follow the instructions in § CYLINDER - PISTON to finish the reassembly.

5. OPENING OF THE PUMP (continued)

5.9 Slide block shaft



5.9.1 Dismantling

Follow the instructions in § SLIDE BLOCK.

Heat the slide block shaft 12304 to destroy fixing product taking care not to twist the piston.

Remove the slide block shaft 12304.



Check parts temperature before dismantling.

5.9.2 Reassembly

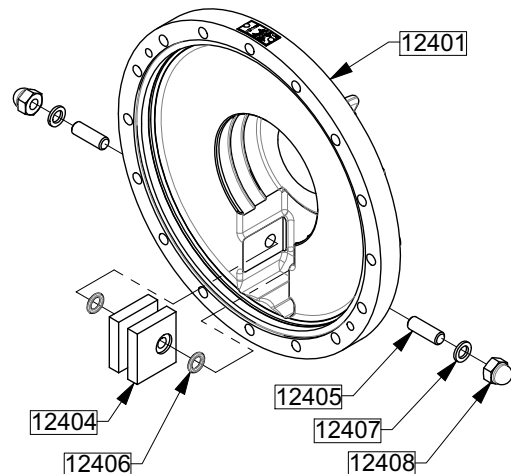
Clean threading in piston 12301.

Fit the slide block shaft 12304 until it cannot move any forward with fixing product. Groove must be on piston side.

Adjust slide block shaft 12304 to piston 12301 face by filing section raising above piston face. Do surface finish with thin sandpaper. Piston face must not show scratches.

Follow the instructions in § SLIDE BLOCK to finish the reassembly.

5.10 Slide block pads



5.10.1 Dismantling

Follow the instructions in § CYLINDER - PISTON.

Remove the nuts 12408 and their seals 12407. Check seals condition and replace them if necessary.

Remove the slide block pads 12404 with their studs 12405 and their seals 12406. Check parts condition and replace them if necessary.

5.10.2 Reassembly

Fit the studs 12405 in the slide block pads 12404 with thread sealant product.

Fit the seals 12406 on the studs 12405 taking care not to damage the seals 12406 on studs 12405 threading.

Fit the slide block pads sets (references 12404 - 12405 - 12406) in the front cover 12401.

Fit the nuts 12408 with their new seals 12407.

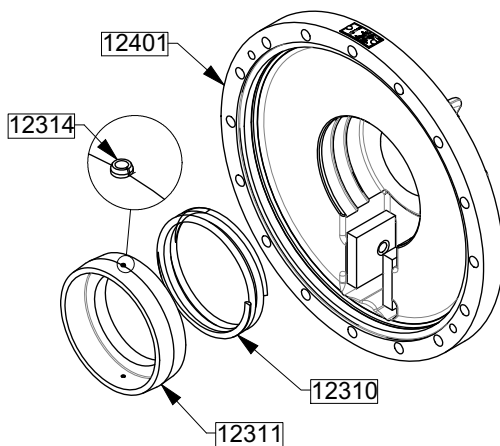
Follow the instructions in § CYLINDER - PISTON to complete reassembly.

Pump with heating jacket :

Remove the plugs 12462 to reach the nuts 12405. See § PARTICULAR VARIANTS.

5. OPENING OF THE PUMP (continued)

5.11 Pusher



5.11.1 Dismantling

Follow the instructions in § CYLINDER - PISTON.

Remove the pusher 12311 by rotating it to release pins 12314 from their grooves.

Remove the spring 12310. Check its condition and replace it if necessary.



Caution: Spring is always slightly pressed.

5.11.2 Reassembly

Position the spring 12310 in the front cover 12401.

Fit the pusher in the front cover 12401 by rotating it to engage pins 12314 in their grooves.

Follow the instructions in § CYLINDER - PISTON to finish the reassembly.

5.12 Relief valve

5.12.1 Opening pressure setting

Before any modification on setting, check :

- That there is a pressure measurement mean on pump discharge ;
- Maximum allowable pressure for discharge installation. This pressure corresponds to the lowest maximum allowable pressure among all discharge installation components.

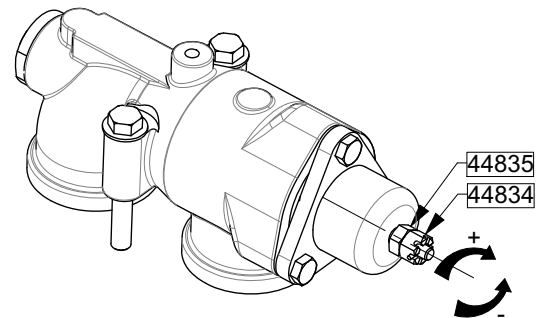


During setting operation, operator must make sure never exceeding discharge installation maximum pressure.

Loosen the nut 44835.

Turn the adjusting nut 44834 clockwise to increase discharge pressure, anticlockwise to reduce it.

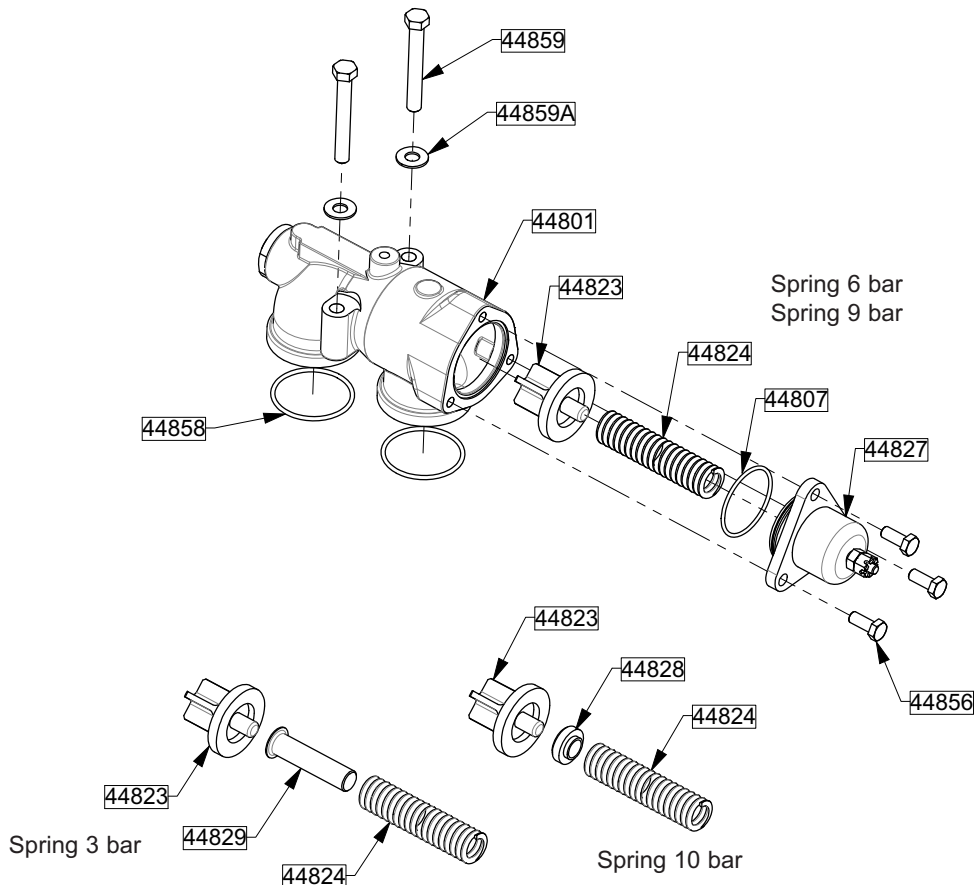
Once setting is done, tighten counternut 44835.



Setting is correct when flow rate is conform to expectation and when motor endures without incident absorbed power peak when discharge is closed. This is how relief valves of complete pumping sets are set, basing on information given to our technical services.

Pumps supplied bare shaft are delivered with a standard setting that should be adjusted depending on exact installation and operation conditions, following procedure above.

5. OPENING OF THE PUMP (continued)



5.12.2 Spring replacement

5.12.2.1 Dismantling

Remove the screws 44859 and their washers 44859A.

Remove the seals 44858 and check their condition. Replace them if necessary.

Remove relief valve and put it on a workbench or a flat and clean surface.

Set relief valve opening pressure to its minimum (see § RELIEF VALVE - OPENING PRESSURE SETTING).

Keep relief valve vertical for the rest of the operation.

Progressively untighten screws 44856.



Caution: Spring is always slightly compressed.

Remove the internal relief valve cap 44827 with its adjusting screw set (references 44825 - 44826 - 44826A - 44831 - 44834 - 44835 - 44837).

Remove the seal 44807 and check its condition. Replace it if necessary.

Remove spring 44824 from relief valve (and its guide 44829 if spring is a 3 bar one; and its spacer 44828 if spring is a 10 bar one).

5.12.2.2 Reassembly

Keep relief valve vertical during operation.

Introduce spring 44824 in the relief valve (and its guide 44829 if spring is a 3 bar one; and its spacer 44828 if spring is a 10 bar one).

Check position of valve 44823. It must rest flat on its seat and move freely in its housing.

Position the seal 44807.

Put back the internal relief valve cap 44827 with its adjusting screw set (references 44825 - 44826 - 44826A - 44831 - 44834 - 44835 - 44837).

Tighten screws 44856 keeping tightening balanced between the screws.

NOTICE

It is necessary to press the spring before being able to tighten.

Position the seals 44858 in their grooves.

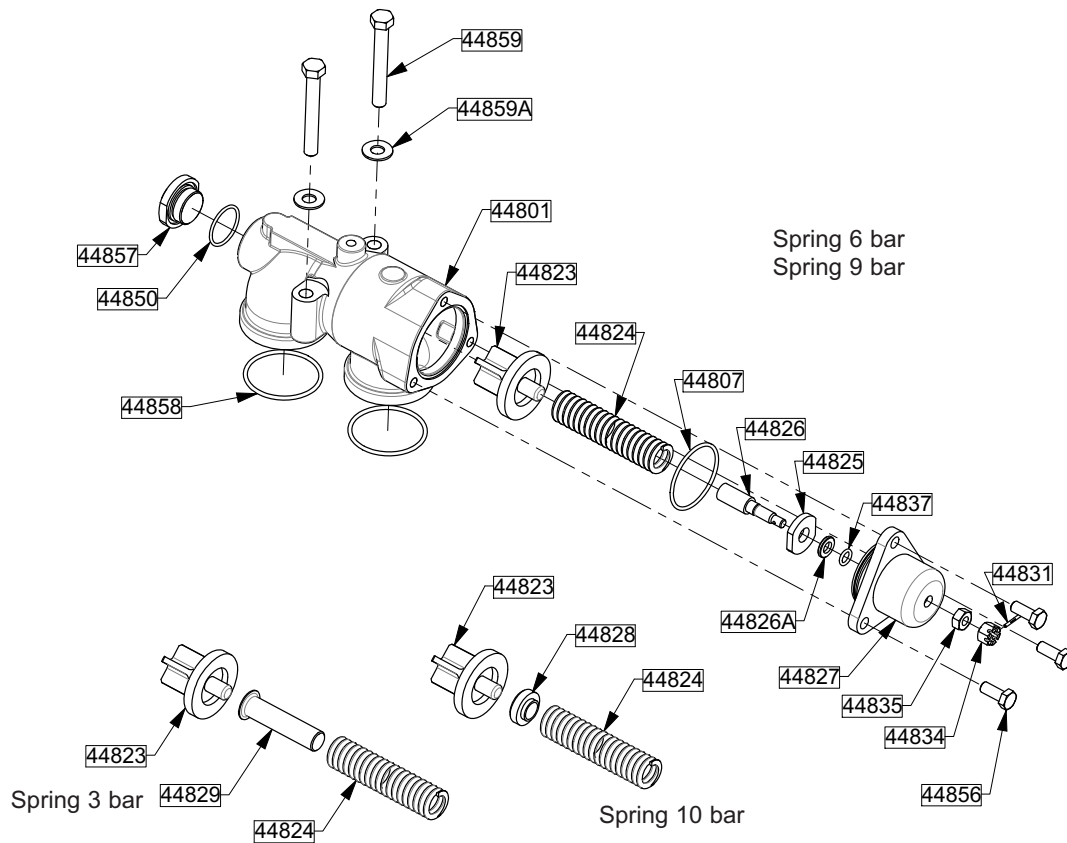
Put back the relief valve on the pump following correct orientation (the internal relief valve cap 44827 must be on suction side).

Take care not to pinch the seals 44858 during the assembly.

Fit the screws 44859 with their new ridged conic washers 44859A. Tighten the screws keeping tightening balanced between the screws to keep relief valve in correct position.

Set spring pressure at required value (see § RELIEF VALVE - OPENING PRESSURE SETTING).

5. OPENING OF THE PUMP (continued)



5.13 O-rings replacement

5.13.1 Dismantling

Follow the instructions in § RELIEF VALVE - SPRING REPLACEMENT.

Dismantle the adjusting screw set as follows.

Remove the pin 44831.

Remove the nut 44834 and its nut 44835.

Remove the adjusting screw 44826 and its subassembly (references : 44825 - 44826A - 44837).

Remove the seal 44837 and check its condition. Replace it if necessary.

Remove the plug 44857.

Remove the seal 44850 and check its condition. Replace it if necessary.

5.13.2 Reassembly

Position the seal 44850.

Refit the plug 44857.

Fit the spring guide 44825 on the adjusting screw 44826 (left-hand thread).

Position the washer 44826A and the seal 44837 on the adjusting screw 44826.

Fit the set in the cap 44827.

Fit the nut 44835 and the nut 44834.

Fit the pin 44831 in the adjusting screw 44826.

Follow the instructions in § RELIEF VALVE - SPRING REPLACEMENT to finish the reassembly.

5. OPENING OF THE PUMP (continued)

5.14 Stirrup

5.14.1 Dismantling

Remove the screw 44859 and its washer 44859A.

Remove stirrup 44867.

Remove the stirrup plugs 44865.

Remove the seals 44858 and check their condition.
Replace them if necessary.

5.14.2 Reassembly

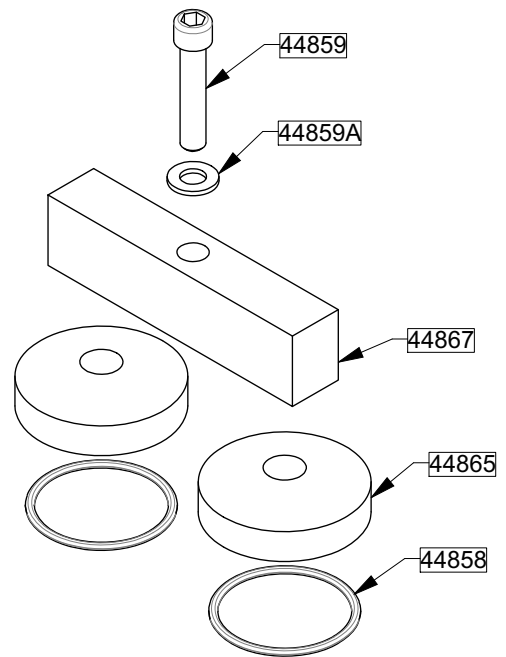
Position the seals 44858 in their grooves.

Fit the stirrup plugs 44865 on the pump.

Take care not to pinch the seals 44858 during the assembly.

Position stirrup 44867.

Fit the screw 44859 with its washer 44859A.



6. MAINTENANCE

6.1 Greasing

Except for special cases, the MOUVEX pump only requires lubrication of the shaft inlet bearing.

Use a grease for ball bearings.

Lubrication must be done every 1,000 hours of operation or at least once a year, or in case of accidental soiling of the grease.

In this case, clean the bearing and its housing before replacing the grease.

The quantity of grease to be added must not exceed 17 cm³.

For pumps operating at high temperatures (in principle from 100°C upwards) use a grease with a high drop point.

Preference should be given to lubricants insoluble in the product pumped and, in the case of hot products, lubricants that maintain good viscosity at the operating temperature.

The other elements of the pump unit (motor, reduction gear) should be maintained in conformity with their specific technical instructions.

6.2 Checking of parts

Defects listed below require the replacement of parts.

6.2.1 Bushings (12303 - 12415)

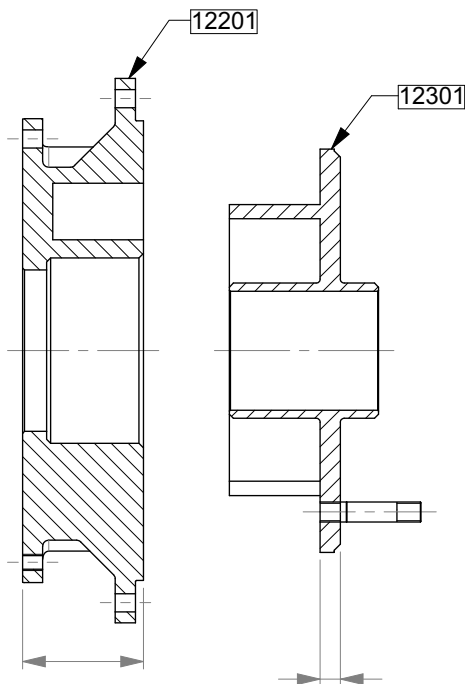
Ø interior higher than :

- piston bushing 1230344,25 mm
- front cover bushing 1241528,90 mm

6.2.2 Cylinder and piston (12201 - 12301)

thickness rating less than :

- piston 12301..... 8,0 mm
- cylinder 1220157,3 mm



NOTICE

Proper pumping characteristics require a piston and cylinder couple with paired dimensions. Therefore replacement of piston or cylinder requires replacement of the piston/cylinder couple.

6.2.3 Slide block (12312)

- rating on flat less than 27,87 mm
- inside Ø higher than Ø 16,04 mm

6.2.4 Slide block bushing (12306)

- outside Ø less than 15,90 mm

6.2.5 Slide block pads (12404)

- thickness rating less than 9,45 mm

6.2.6 Piston bearing (12503)

- outside Ø less than 42,75 mm

6.2.7 Sleeve (12521)

- outside Ø less than 27,80 mm

6.2.8 Shaft (12501)

- Ø under the lip seal surface less than 24,85 mm
- Ø under the mechanical seal O-ring surface less than 29,90 mm

6.2.9 Springs (12310 - 12504)

- non-rectilinear spring axis
- spring 12310 : free height less than 31 mm
- spring 12504 : free height less than 16,60 mm

6.2.10 Seals

- scratch
- break
- holes
- permanent deformation of the seal

6.2.11 Bearing (12703)

- Life time exceeded (lifetime : 20 000 hours)
- Feel able hard point during manual bearing rotation
- Unusual noise during pump operation (squeaking...)

NOTICE

The lifetime for the bearing is a theoretical lifetime calculated according to the standard ISO 281 recommendations.

This calculation was performed with the values of speed and acceptable maximal differential pressure and for a acceptable failure rate of 10%.

7. PARTICULAR VARIANTS

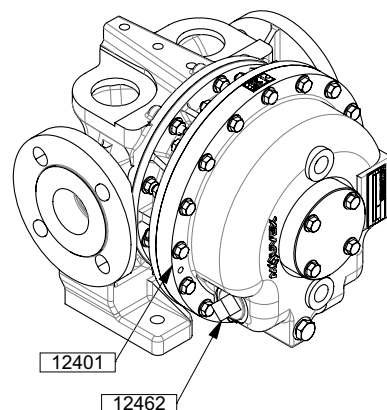
If necessary, refer to § OPENING OF THE PUMP for pump disassembly.

7.1 Pump with heating jacket

The jacketed front cover 12401 permits the circulation of steam or liquid.

The plug 12462 permits the draining of the heating jacket.

To connect the heating jacket, see § OVERALL DIMENSIONS.



8. STORAGE

If necessary, refer to § OPENING OF THE PUMP for pump disassembly.

8.1 Short duration (≤ 1 month)

MOUVEX pumps and motor-driven pumps are well lubricated when delivered to protect the internal parts during brief storage in a building where :

- the temperature remains between 10°C and 50°C.
- the relative humidity does not exceed 60%.
- exposure to vibration is limited.
- pump is stored in an area sheltered from bad weather and sun.

NOTICE

In the case of pumps ordered without testing characteristics, it is necessary to grease the inside of the pump before any storage.

8.2 Long duration (> 1 month)

The recommendations from the manufacturer should be followed if the pump is stored with its gear motor.

Pump ports should be filled with a non-corrosive liquid that it compatible with the pump components in order to prevent corrosion.

Unpainted external surfaces of the pump (e.g. shafts, couplings, etc.) should be covered in some form of anti-corrosion protection.

The bearing should be well greased. If the pump is to be stored for more than the life of the grease, this one should be replaced in time to prevent an excessive degradation of its qualities.

The best storage conditions are inside a building that meets the conditions set out above.

If inside storage is not possible, the materials should be covered to prevent direct exposure to sun and bad weather. This protection should also prevent condensation.

Rotate pump shaft manually a few revolutions every two months.

8.3 Restarting

Follow the standard start-up procedure for the pump/motor-driven pump, as well as the instructions below.

Turn the pump by hand to make sure the parts move freely.

Replace the grease used to lubricate the bearing.

If the pump has a safety relief valve, remove it and inspect the parts and make sure they move freely (see § RELIEF VALVE for removal instructions).

9. SCRAPPING

The pump must be scrapped in compliance with the regulations in force.

During this operation, particular care must be paid to the drainage stages of the pump (pumped product).

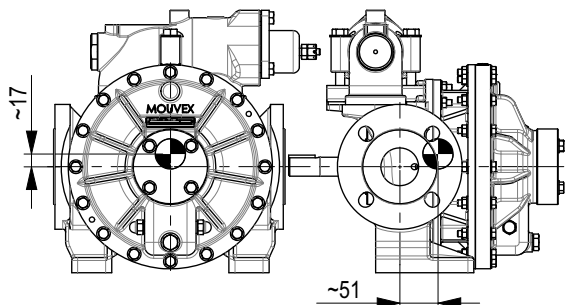
10. TECHNICAL CHARACTERISTICS

10.1 Weight and center of gravity

10.1.1 Weight

From 40 to 50 kg depending on variants.

10.1.2 Center of gravity



NOTICE

The position of the center of gravity may vary slightly depending on the chosen options (relief valve, stirrup, front cover with heating jacket...) and the position of the moving parts inside the pump.

10.2 Overall dimensions

See following pages.

10.3 Curves

Consult our Technical Services.

10.4 Operation limits and characteristics

| | |
|--|------------------------------------|
| Acceptable maximum suction pressure..... | 9 barg ^a |
| Acceptable maximal differential pressure : | |
| carbon bushings | 10 bar |
| bronze bushings | 5 bar |
| Acceptable maximum discharge pressure..... | 12 barg |
| Acceptable maximum pressure in heating jacket... | 8 barg |
| Acceptable maximum speed | 500 rpm |
| Ambient temperature : | |
| acceptable minimum | - 15°C |
| acceptable maximum | + 40°C |
| Pumped product temperature : | |
| acceptable minimum | - 15°C |
| acceptable maximum (see ^b)..... | + 150°C |
| Heating fluid temperature ^c : | |
| acceptable minimum | - 15°C |
| acceptable maximum | + 150°C |
| Maximum flowrate ^d | 12 m ³ .h ⁻¹ |
| Cylinder capacity | 0,402 L |



The definition of the pump operating conditions (speed, differential pressure, viscosity or pumped product) must be performed by MOUVEX qualified personnel or any other person authorized.

^a NOTICE : In the case of a pressure suction higher than the atmospheric pressure, provide a valve to prevent the flow of liquid when the pump is stopped.

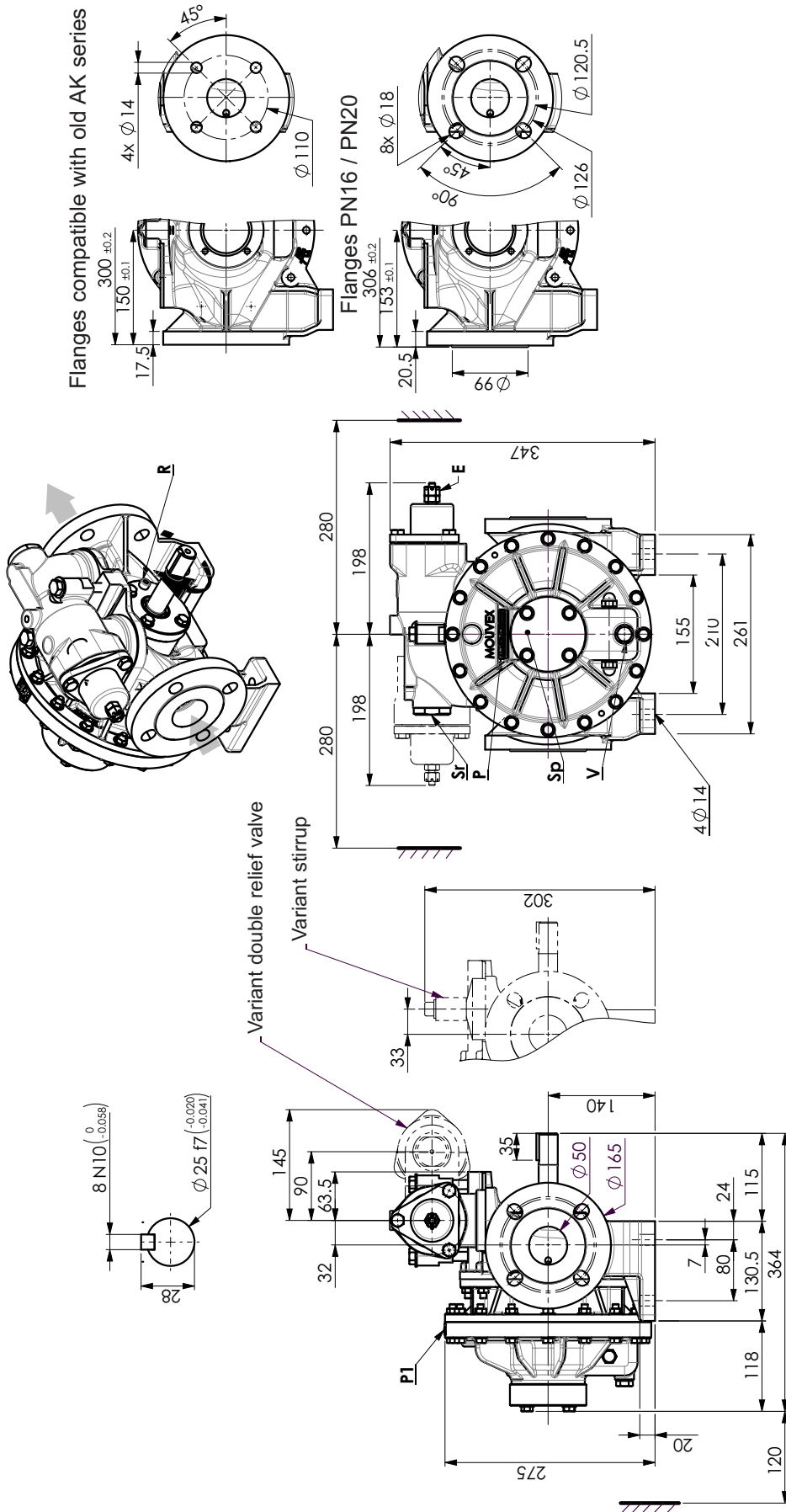
^b Maximum temperature of pumped product is highly dependent on the operating conditions (pressure, speed, viscosity ...). Please contact our technical department to set the maximum allowable temperature for your application.

^c The maximum temperature of heating fluid should be selected so that the pumped product temperature is compatible with the one defined for the application.

^d This value can vary depending on your application parameters. You can contact our Technical Services at any time to ask for the information you require.

10. TECHNICAL CHARACTERISTICS (continued)

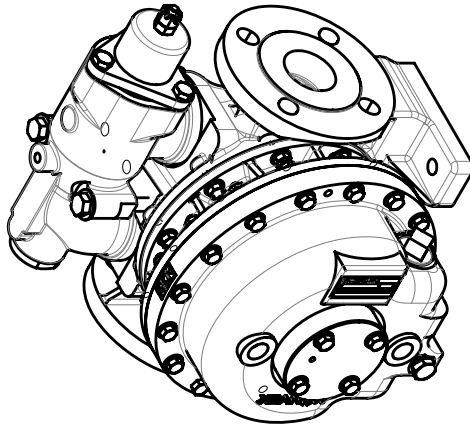
Overall dimensions



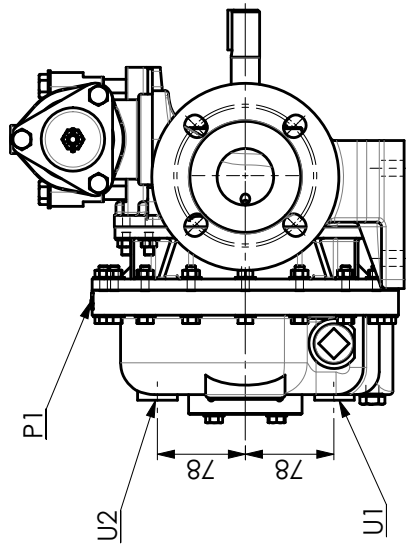
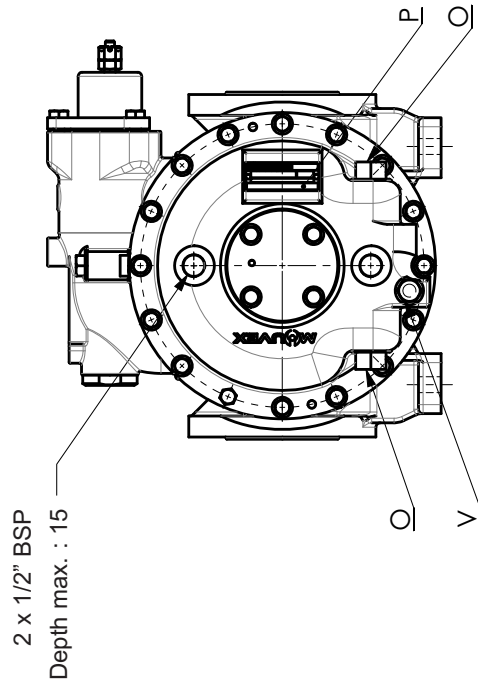
| | |
|----|--|
| E | Relief valve setting. |
| P | Pump plate. |
| P1 | Pump rotation direction plate. |
| R | Main rotation direction index. |
| Sp | Mounting point for pump probe : M6 - threaded width : max. 8 mm. |
| Sr | Mounting point for relief valve probe : M6 - threaded width : max. 8 mm. |
| V | Pump drain G1/4". |

10. TECHNICAL CHARACTERISTICS (continued)

A12 A with heating jacket



| | |
|----|--|
| O | Heating jacket drain G1". |
| P | Pump plate. |
| P1 | Pump rotation direction plate. |
| U1 | Heating jacket inlet for liquid Heating jacket outlet for steam |
| U2 | Heating jacket outlet for liquid Heating jacket inlet for steam |
| V | Pump drain G1/4". |



11. TROUBLESHOOTING

| ZERO OR INSUFFICIENT FLOW | | | |
|----------------------------------|-----|-------|---|
| 1 | | | PRELIMINARY CHECKS |
| | 1-1 | | Make sure that the plastic plugs have been taken away from the ports of the pump and that the pump is running (defective drive, damaged motor, etc., faulty transmission : broken coupling, sliding belt, worn or poorly coupled clutch, etc.). |
| | 1-2 | | Make sure that the pump rotates in the correct direction corresponding to the direction in which the liquid circulates in the installation (cf. the pump plate). If necessary, change the electric motor connections or adjust the piping as necessary (diesel engine drive). |
| | 1-3 | | Make sure that there is liquid in the tank from which the pump draws and that the end of the inlet piping is constantly submerged. |
| | 1-4 | | Make sure that the pump rotation speed is sufficient. Determine this by checking the speed of the pump motor (see motor plate) and the speed reduction ratio (see reduction gearbox plate) or use a rev. counter. |
| | | | If these checks do not highlight the problem : |
| 2 | | | MEASURE THE DISCHARGE PRESSURE (as close to the outlet of the pump as possible, with a minimum distance of 5 pipe diameters). |
| | 2-1 | | If the pressure is lower than the figures given for the material, or null, this could be due to : |
| | | 2-1-1 | A poorly adjusted relief valve, the valve setting is lower than the discharge pressure (tighten the set screw or replace the spring after checking that the electric motor is suitably protected). |
| | | 2-1-2 | The valve is not closed ; either the plunger has not returned to its initial position, or there is dirt on the valve seat. |
| | | 2-1-3 | The pump is worn, this will also affect the suction capacity of the pump (cf 3-2-2 c). |
| | 2-2 | | If the pressure complies with the equipment data (pump speed and motor output) it is possible that : |
| | | 2-2-1 | The pressure required for the given installation to obtain the required flow rate is too high and the flow is partially or totally circulating via the relief valve, or : a. the height of the discharge is too great (reduce it by bringing the discharge tank to the level where the pump is). If suction conditions are favourable, the pump can also be moved closer to the discharge tank. b. that head losses are too high because : - the piping is unsuitable (too many "bends", too long or the diameter is too narrow) for the process conditions : Flowrate, Specific Gravity, Viscosity (this can change considerably with temperature). Reduce the head losses by simplifying the circuit : reduce of the number of fittings, valves, elbows, etc... Move the pump closer to the discharge tank or vice versa, if conditions permit. Increase the diameter of the piping, etc... Reduce the product viscosity via heating. Reduce the flow, etc... - of partially blocked piping (valve partially closed, tap partially shut, cloth obscuring flow, etc.). |
| | | 2-2-2 | The discharge piping is completely blocked (valve fully closed, tap completely closed, cloth plugging flow, full protection seal left by carelessness, etc...), in this case, all the liquid passes via the relief valve. |

11. TROUBLESHOOTING (continued)

| | | |
|-------------------------------------|-------|---|
| 3 | | MEASURING THE VACUUM PRESSURE (as close as possible to the pump inlet, inlet side). |
| | 3-1 | If the vacuum is high, e.g. higher than or equal to 6 to 7 metres WC (0.6 to 0.7 bara i.e. about 45 or 50 cm of mercury), this can result in pump noise. The cause could be : |
| | 3-1-1 | <ul style="list-style-type: none"> a. the suction lift is too high (reduce it by taking the pump down closer to the level of the liquid) b. the dynamic suction losses are too high : <ul style="list-style-type: none"> 1. cf 2-2-1 b 2. the inlet piping orifice is too close to the bottom of the tank. |
| | 3-1-2 | The inlet piping is completely blocked (valve, tap, filter, cloth, full seal forgotten, etc.) |
| | 3-1-3 | The liquid vapour pressure is too high (or has become too high following, for example, a change of temperature). Bring the pump closer to the level of the liquid, install the pump closer to the feed or cool the liquid to reduce the vapour pressure. |
| | 3-2 | If the vacuum is low, for example, less than 3 metres WC (i.e. about 20 cm of mercury), check for leaks on the inlet pipe, isolate the pump from the inlet piping (by closing the valve nearest the pump or by inserting a full flange seal) and measuring the vacuum once again. |
| | 3-2-1 | <p>If the vacuum is high with the isolating valve closed on suction line, e.g. higher than or equal to 6 or 7 metres WC (i.e. about 45 to 50 cm of mercury), the pump is not the cause :</p> <ul style="list-style-type: none"> a. there must be an air inlet upstream of the pump isolating valve. b. the liquid vapour pressure is or has become too elevated due to a change of temperature (cf 3-1-3). |
| | 3-2-2 | <p>If the vacuum is low or non-existent, the reason could be :</p> <ul style="list-style-type: none"> a. that the valve is not closing properly, due to dirt on the valve seat. b. air is entering the pump (check the front cover seals, flanges, etc...) c. the pump is worn and the internal tightness is out of specification (the piston bushings are worn, worn piston and cylinder, broken piston wear compensation springs, worn partition, broken shaft). |
| ABNORMAL HEATING OF BEARINGS | | |
| 4 | | This heating can be caused by : |
| | 4-1 | - excessive tension in the transmission (belt or chain) on the pump shaft. |
| | 4-2 | - excessive pulling on the pump flanges by the piping (in this case, it must have been necessary to force the piping into position to connect it to the pump). |
| | 4-3 | - poor alignment of the pump - due for example to 4-2 (the pump is partially or totally uncoupled, the pump shaft and drive shaft are not aligned with each other). |
| | 4-4 | - inadequate anchoring of the pump unit leading to deformation of the chassis (make sure that the chassis is clear of the ground except for the 3 anchoring points). |
| | 4-5 | - seizing of the bushings (cured product preventing lubrication and cooling, excess power, etc...). |
| | 4-6 | - running in period for new bearings. The temperature should return to normal values after a few operating hours. |
| LEAKING SEALS | | |
| 5 | | <p>The seal may leak if :</p> <ul style="list-style-type: none"> a. it was damaged during assembly (scratching on the shaft), damage to 'O' rings in seal, b. it is incompatible with the product (chemical and mechanical aggression / abrasion of 'o' rings and seal faces), c. it is worn through normal use. |
| 6 | | The shaft is worn at the seal or does not rotate correctly due to poor alignment, excessive tension on the transmission belts, chains, etc... |

11. TROUBLESHOOTING (continued)

| ABNORMAL NOISES | | | |
|---------------------------------|-----|--|--|
| | | | These noises can be caused by hydraulic and mechanical sources. They can be distinguished by the fact that only the former disappear (or at least lessen) when air is allowed into the inlet pipe. |
| 7 | | | HYDRAULIC NOISES |
| | | | These noises can come from insufficient product being supplied to the pump, or : |
| | 7-1 | | - the rotation speed is too high for the installation conditions (increase of viscosity due to a change of product or a reduction of temperature, etc.). |
| | 7-2 | | - that the suction head is too high or has become too high due to excessive head losses following clogging of the piping or filter, a change of viscosity of the liquid, etc., |
| | 7-3 | | - an increase of the vapour pressure with a rise of temperature. |
| 8 | | | MECHANICAL NOISES |
| | | | These can stem from : |
| | 8-1 | | - the relief valve knocking on the seat when the discharge pressure is close to the relief valve adjustment pressure (turn the adjustment screw after making sure that the electric motor is suitably protected). |
| | 8-2 | | - abnormal stress on the pump : the transmission is pulling on the shaft, pulling on the flanges by the piping. |
| | 8-3 | | - a broken part or foreign body has entered the pump. |
| EXCESS POWER CONSUMPTION | | | |
| 9 | | | The most spectacular event occurs when a diesel engine stalls or the power to an electric motor is shut off. |
| | 9-1 | | If this incident occurs when closing the discharge line, the cause may be : a. the relief valve is assembled back to front. b. the relief valve is adjusted too tight. c. the motor protection is adjusted too low or wrong circuit breaker have been fitted. |
| | 9-2 | | If the incident occurs during operation, the cause could be : a. an inadequate motor (in this case, the discharge pressure complies with what was expected). b. head losses higher than expected - following higher viscosity or specific gravity than planned initially (in this case, the discharge pressure is higher than that planned. The pressure can be reduced by loosening the relief valve adjustment screw - the flow is decreased). c. excessive speed of rotation. d. a fault of the equipment (faulty alignment, deformation of the chassis, stress exerted by the piping on the flanges, seizing, etc.). |
| | | | Excessive consumption of electricity can also be due to a poor motor connection (e.g. a 3 phase motor operating on 2 phases). |



DECLARATION UE DE CONFORMITE
EU CERTIFICATE OF CONFORMITY – EU KONFORMITÄTSERKLÄRUNG



MOUVEX sas, ZI La Plaine des Isles – 2 Rue des Caillottes – 89000 Auxerre France, déclare que l'équipement suivant / declares the following equipment / erklärt, dass folgende Ausrüstung:

Modèle : _____ (A) Répondant aux spécifications indiquées dans l'ARC N° : _____ (B)
Designation / Bezeichnung Serial N° / Serien Nr According to the specifications recorded in the acknowledgment of order N°:

Pour la Sté MOUVEX sas, fait à Auxerre le : _____
For Mouvex sas company – Date : _____
Für die Fa Mouvex sas - Datum : _____

Responsible Quality Clients
Customer Quality Manager / Qualitätsbeauftragter

- Configuration : _____
Konfiguration (Pumpe / Kompressor, freies Wellenende)
- Type / Geräteart :
- Pompe à mvt excentré (Eccentric Disc Pump / Ringkolbenpumpe)
 - Pompe péristaltique (Peristaltic Pump / Schlauchpumpe)
 - Pompe centrifuge (Centrifugal Pump / Kreiselpumpe)
 - Compresseur à Vis (Screws compressor / Schraubenverdichter)
 - Compresseur à palettes (Vaness compressor / Flügelzellenverdichter)
 - Refroidisseur Hydraulique (Hydraulic oil cooler / Hydraulikölkühler)
- Groupe de pompage / de compression (Pumping Unit / Compressor Unit) (Pumpe / Kompressoraggregat)
- Pompe à lobes (Lobes Pump / Drehkolbenpumpe)
- Pompe à palettes (Vaness Pump / Flügelzellenpumpe)
- Autre pompe (Other Pump / Andere Pumpe)

Est conforme aux dispositions suivantes :

Directive « MACHINES » 2006/42/CE et aux législations nationales (à transposer, portant sur les dispositifs de sécurité liés aux risques mécaniques et électriques applicables aux machines tournantes.
NF EN 809:2009 NF EN 1672-2:2009 NF EN ISO 13857:2008 NF EN 12162:2009

Directive « ATEX » 2014/34/EU du 26 février 2014 et aux législations nationales la transposant; portant sur les appareils destinés à être utilisés en atmosphères explosibles. Conformité obtenue par application des normes :
NF EN 1127-1:1997 NF EN 13463-1:2009 NF EN 13463-5:2009
Certification ATEX délivrée par INERIS*, Organisme Certificateur, et portant le marquage suivant : (C)

is in conformity with the provisions of the following Directive:

« MACHINES » Directive 2006/42/EEC as transposed by the national legislation, concerning safety equipments and arrangements relative to mechanical and electric risks applicable to rotative machines.
NF EN 809:2009 NF EN 1672-2:2009 NF EN ISO 13857:2008 NF EN 12162:2009

« ATEX » Directive 2014/34/EU (26 Feb. 2014) as transposed by the national legislation, concerning equipment intended to be used in explosive atmospheres. Conformity obtained by application of the standards :
NF EN 1127-1:1997 NF EN 13463-1:2009 NF EN 13463-5:2009
ATEX Certification delivered by INERIS*, Notified Body, and with the following marking: (C)

den Bestimmungen der nachstehenden Richtlinien entspricht:

„Machines-Richtlinie“ 2006/42/EEC wie umgesetzt im nationalen Recht hinsichtlich der Ausrüstungssicherheit und Sicherheitsvorkehrungen bezogen auf mechanische und elektrische Risiken, die für rotierende Maschinen gelten.
NF EN 809:2009 NF EN 1672-2:2009 NF EN ISO 13857:2008 NF EN 12162:2009

„ATEX“ Richtlinie 2014/34/EU (26. Feb. 2014) wie umgesetzt im nationalen Recht in Bezug auf Ausrüstungen für den Einsatz in explosionsgefährdeter Atmosphäre. Die Konformität hat Geltung durch Anwendung folgender Normen:
NF EN 1127-1:1997 NF EN 13463-1:2009 NF EN 13463-5:2009
Die ATEX-Zertifizierung wurde von der benannten Stelle INERIS* erteilt, und mit folgender Kennzeichnung: (C)

II G II T Temp Max produit pompé / Max Temp Flow / Max. T° Medium = _____ °C (X = voir notice / see IOM / siehe Handbuch)

L'équipement désigné ci-dessus doit impérativement respecter les conditions d'utilisation ATEX décrites dans nos notices d'instruction. Il doit être employé conformément à l'utilisation qui en a été prévue de par sa conception et sa fabrication, et conformément aux normes en vigueur. Nous, soussignés, déclarons que l'équipement concerné est conforme aux Directives listées ci-dessus et aux normes applicables s'y rapportant.

The equipment indicated above must imperatively comply with the ATEX conditions of use described in our instruction book. It must be used according to the foreseen use by its design and its manufacturing, and according to the current standards. We, undersigned, declare that the concerned equipment is in conformity with the Directives listed above and in the applicable standards in force.

Oben stehend bezeichnete Ausrüstung muss unbedingt den in unseren Betriebsanleitungen beschriebenen ATEX Anwendungsbedingungen entsprechen. Sie ist entsprechend dem durch Konstruktion und Fabrikation vorgesehenen Verwendungszweck und entsprechend den geltenden Normen einzusetzen. Die Unterzeichner erklären, dass die bezeichnete Ausrüstung den oben aufgeführten Richtlinien und den diesbezüglich geltenden Normen entspricht.

CTRL/D025 – rév.04 du 25/05/2016 – Déclaration de conformité CE-Atex

* (INERIS – Parc Techno Alata – 60550 Verneuil-en-Halatte – France).