

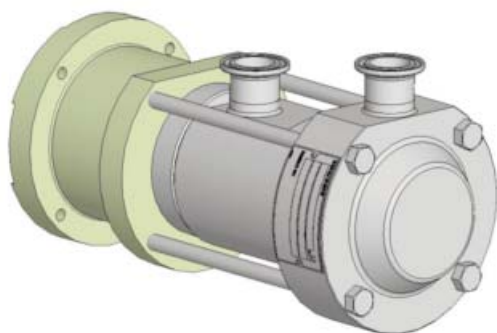


INSTRUCTIONS 1001-P00 e

Section	1001
Effective	January 2023
Replaces	February 2019

Original instructions

Micro C *125 - 250 - 500 - 800* *PUMPS*



INSTALLATION

USE

MAINTENANCE

EC CERTIFICATE OF CONFORMITY :

The EC Certificate of Conformity (paper version) is systematically attached to the equipment when shipped.

WARRANTY :

MICRO C Series pumps are covered 24 months by warranty within the limits mentioned in our General Sales Conditions. In case of a use other than that mentioned in the Instructions manual, and without preliminary agreement of MOUVEX, warranty will be canceled.



Z.I. La Plaine des Isles - F 89000 AUXERRE - FRANCE
Tel. : +33 (0)3.86.49.86.30 - Fax : +33 (0)3.86.49.87.17
contact.mouvex@psgdover.com - www.mouvex.com

Your distributor :

ECCENTRIC DISC PUMP MOUVEX PRINCIPLE

SAFETY INSTRUCTIONS, STORAGE, INSTALLATION AND MAINTENANCE MODELS : MICRO C 125 - 250 - 500 - 800

TABLE OF CONTENTS	Page
1. OVERALL DIMENSIONS	3
2. INSTALLATION	12
2.1 Installation design	12
2.2 Orientation of the pump ports	13
2.3 Direction of rotation	13
2.4 Protection of the installation and the pump	14
2.5 Unit Assembly	14
3. USE	16
3.1 Noise level	16
3.2 Commissioning	16
3.3 Dry running	16
3.4 Stopping the pump	16
3.5 Bellows monitoring	16
3.6 Scrapping	16
4. CLEAN IN PLACE (CIP) & STERILISATION IN PLACE (SIP)	17
4.1 General	17
4.2 CIP circuit recommended	17
4.3 Pumps arranged in series	17
4.4 Pumps arranged in parallel	18
4.5 Successive cycles	19
4.6 Sterilisation In Place (SIP)	19
5. MAINTENANCE	20
5.1 Necessary tools	20
5.2 Disassembly	20
5.3 Checking the parts	22
5.4 Reassembly	23
5.5 Trunk disassembly/reassembly	24
6. STORAGE	25
6.1 Short duration (≤ 1 month)	25
6.2 Long duration (> 1 month)	25
6.3 Restarting	25
7. TROUBLESHOOTING	26

USED PRESSURE UNITS

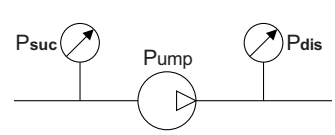
Unit without suffix :
Differential pressure, for example, pressure difference between equipment suction and discharge.

Unit with suffix "a" :
Absolute pressure.

Unit with suffix "g" :
Gauge pressure, given regarding to atmospheric pressure (~101325 Pa, taken at 1 bar / 14,5 psi in this IOM).

Example :

$P_{suc} = -0,2 \text{ barg} = 0,8 \text{ bara}$
 $P_{dis} = 8,8 \text{ barg} = 9,8 \text{ bara}$
 $\Delta P = P_{dis} - P_{suc} = 9 \text{ bar}$



TECHNICAL CHARACTERISTICS

- Maximum pump speed : **1000 rpm**
- Running temperatures :
 - ambient -15°C → + 40°C
 - continuous pumped product -15°C → +100°C
 - washing / rinsing / sterilisation product . . . 0°C → +121°C
- Maximum suction pressure :
 - In normal use, the suction pressure must be higher than the required NPSH and **less than 1 barg** (14,5 psig).
 - During pump **CIP/SIP**, the suction pressure must not exceed **2 barg** (29 psig).
 - With pump **stopped**, the pressure must not exceed **3 barg** (43,5 psig).
- Acceptable maximal differential pressure :

MICRO C	125	250	500	800
bar**	15	10	5	3
psi**	217,6	145	72,5	43,5

- Displacement :

MICRO C	125	250	500	800
litre	0,0024	0,0045	0,0090	0,0133

- Volume :
 - Suction 0,15 liter
 - Discharge 0,08 liter
 - Total 0,23 liter (0,061 US gallons)

* A running with a pumped product presenting an included temperature between 100°C and 110°C will be authorized provided that the coefficient of conduction of heat of the pumped product is superior to 0,125 W.m⁻¹.K⁻¹ and that the acceptable maximal limits of speed and differential pressure are decreased so as to respect the following rule :


$$\Delta P \times n \leq \frac{250}{2} \times \frac{T-100}{10} \times k \times (120 - T)$$

MICRO C	125	250	500	800
k	3	2	1	0,6

with :
 T product pumped temperature (°C)
 ΔP differential pressure of the pump (bar)
 n rotation speed of the pump (rpm)
 k see board


** When the pump works with an inlet gauge pressure less than zero, the maximum outlet pressure will be calculated as if the inlet pressure is equal to zero.

Definition of safety symbols




This is a SAFETY ALERT SYMBOL.


When you see this symbol on the product, or in the manual, look for one of the following signal words and be alert to the potential for personal injury, death or major property damage.


DANGER

Warns of hazards that **WILL** cause serious personal injury, death or major property damage.


WARNING

Warns of hazards that **CAN** cause serious personal injury, death or major property damage.


CAUTION

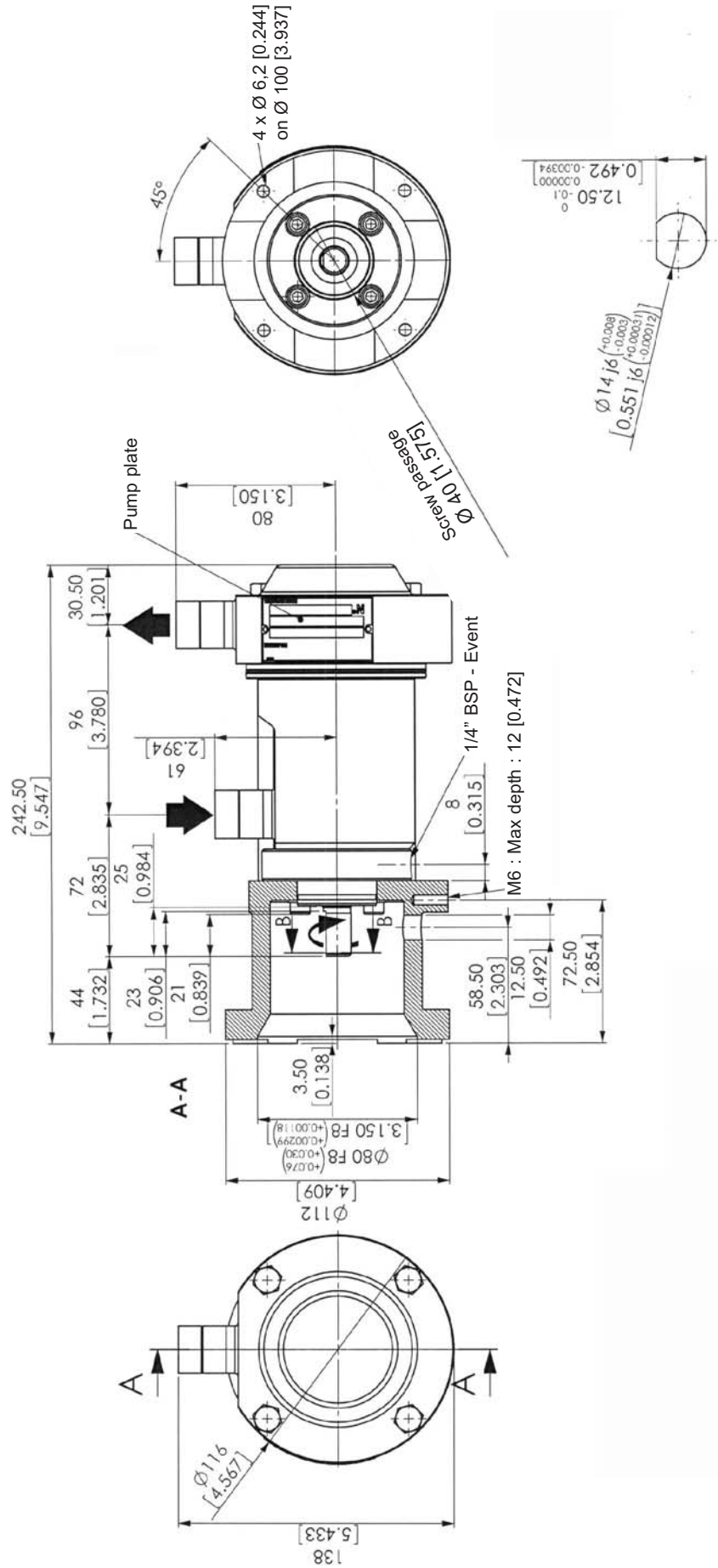
Warns of hazards that **CAN** cause personal injury or property damage.

NOTICE

Indicates special instructions which are very important and must be followed.

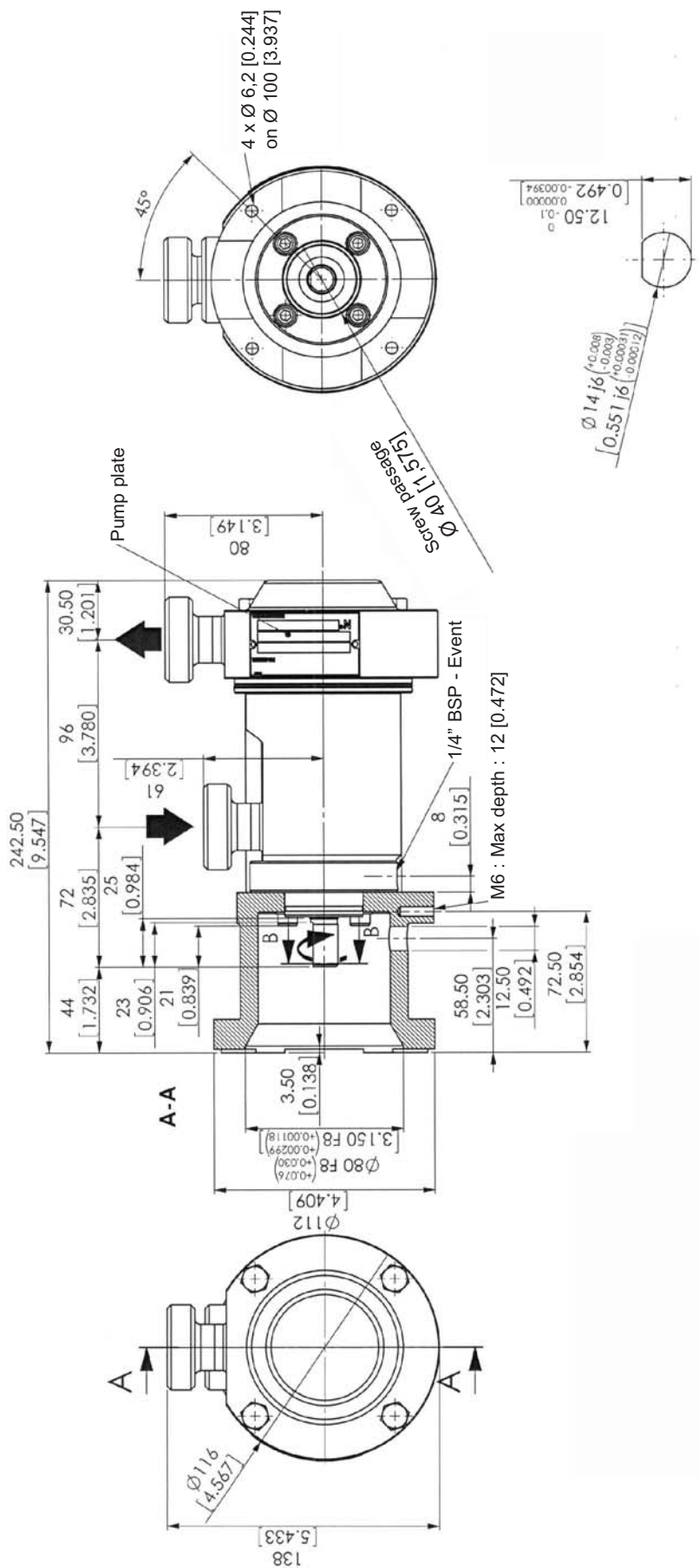
1. OVERALL DIMENSIONS

Connection BSP or NPT 1/2' Motor flange CEI FT-FF 100



1. OVERALL DIMENSIONS (continued)

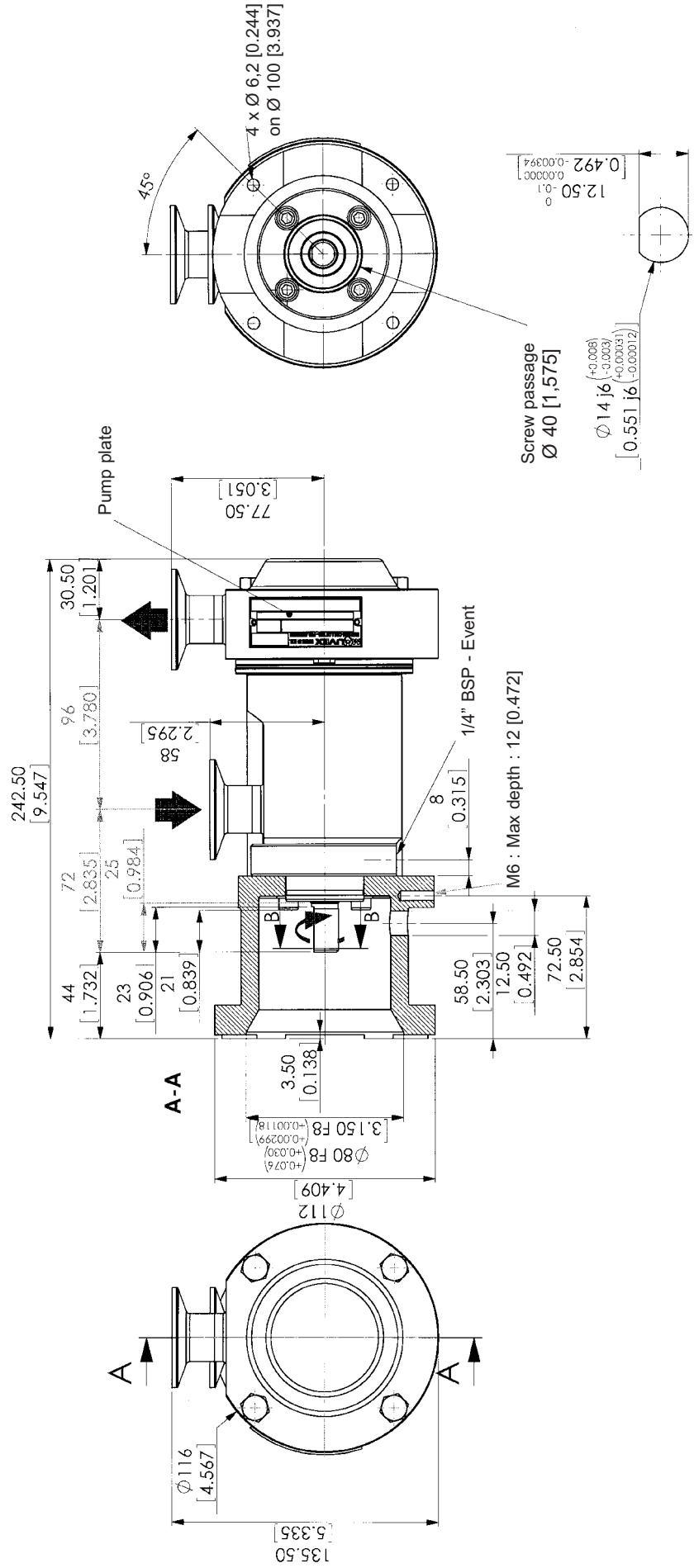
DIN 11851 (DN20) Motor flange CEI FT-FF 100



Weight : 8 kg

1. OVERALL DIMENSIONS (continued)

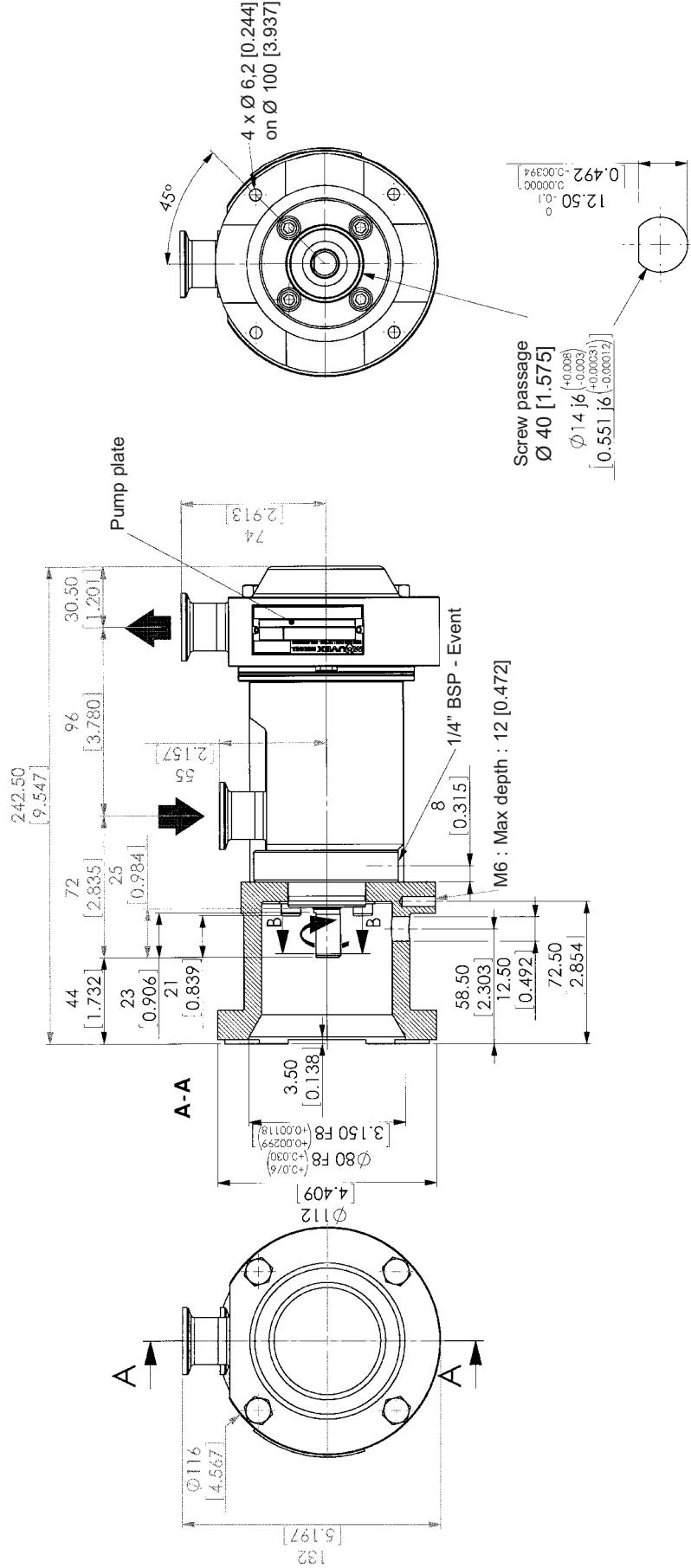
CONNECTION CLAMP ISO 2852 (D25)



Weight : 8 kg

1. OVERALL DIMENSIONS (continued)

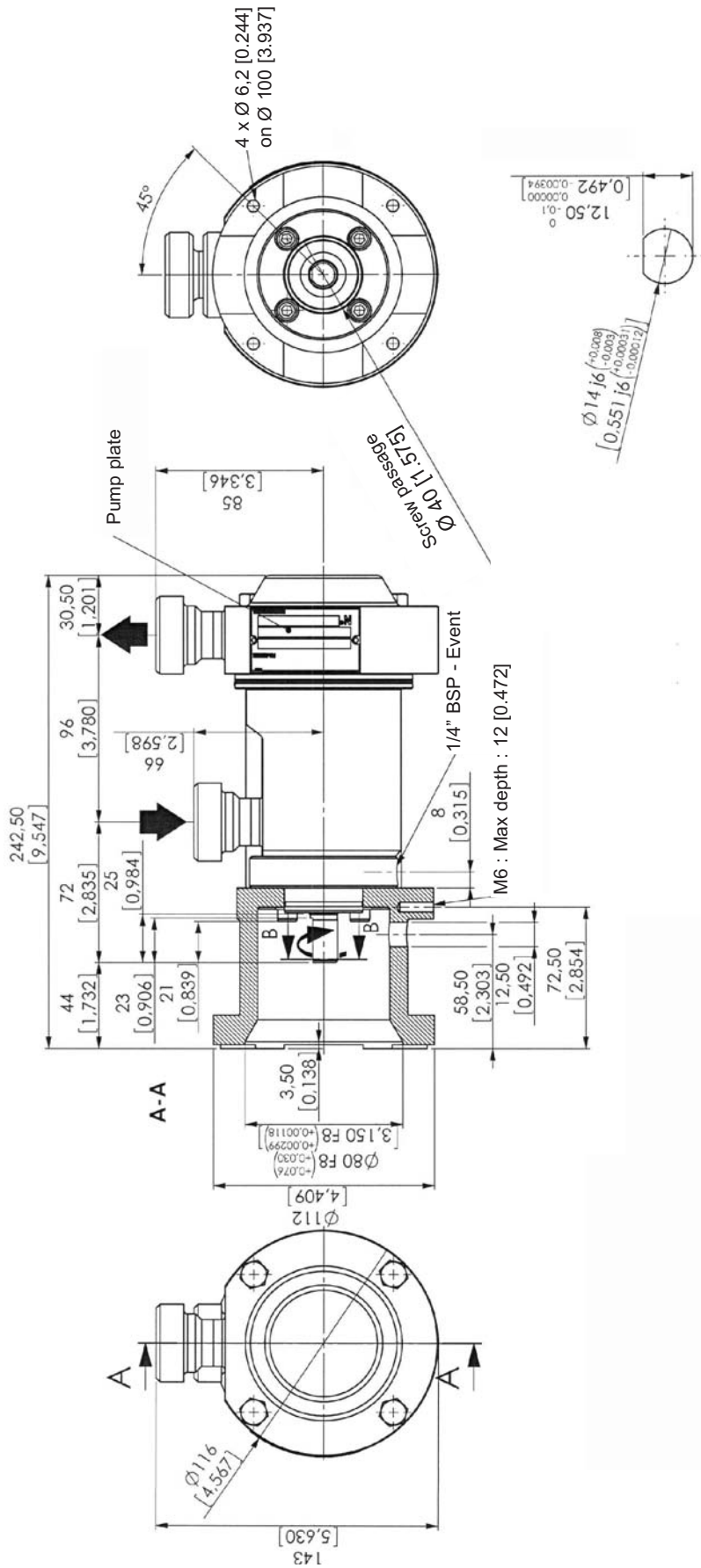
CLAMP DIN 32676 (DN20) Motor flange CEI FT-FF 100



Weight : 8 kg

1. OVERALL DIMENSIONS (continued)

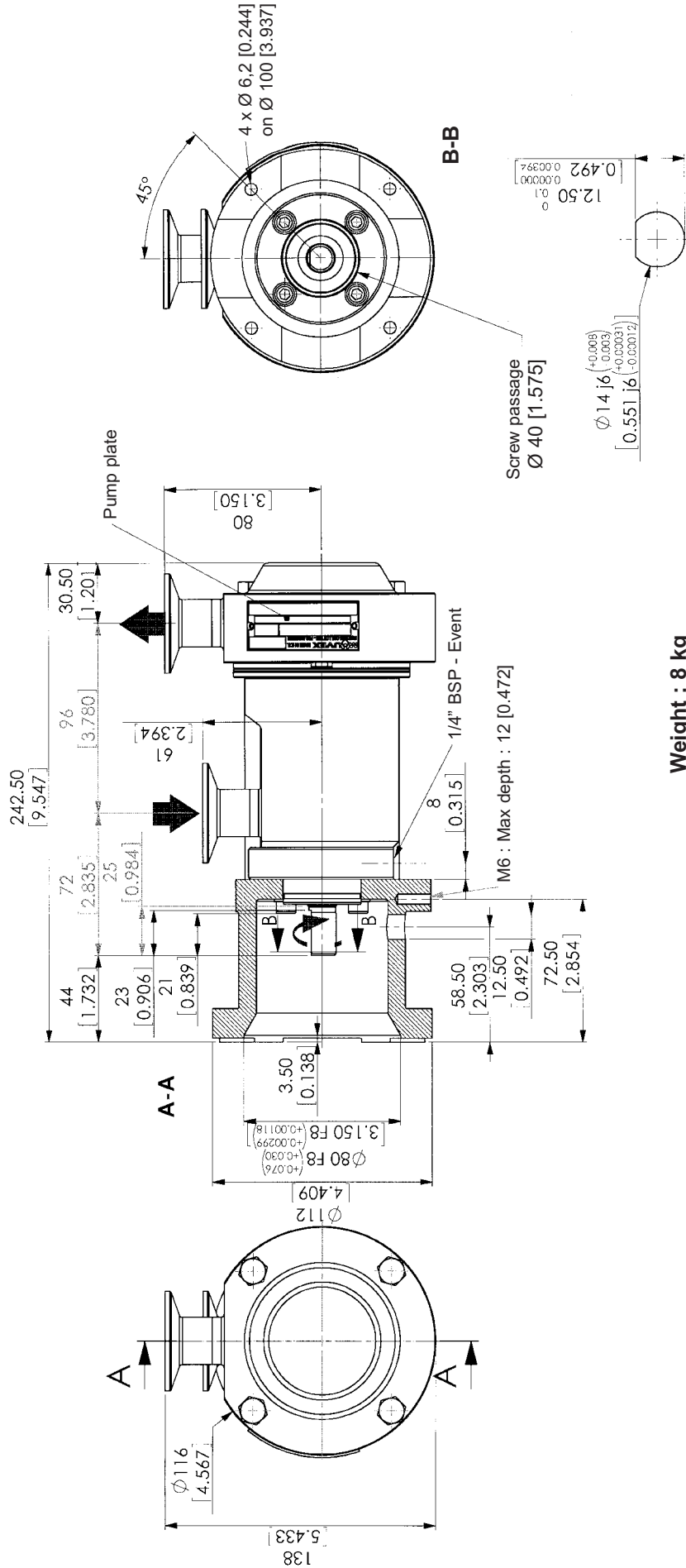
SMS 1145 (D25) Motor flange CEI FT-FF 100



Weight : 8 kg

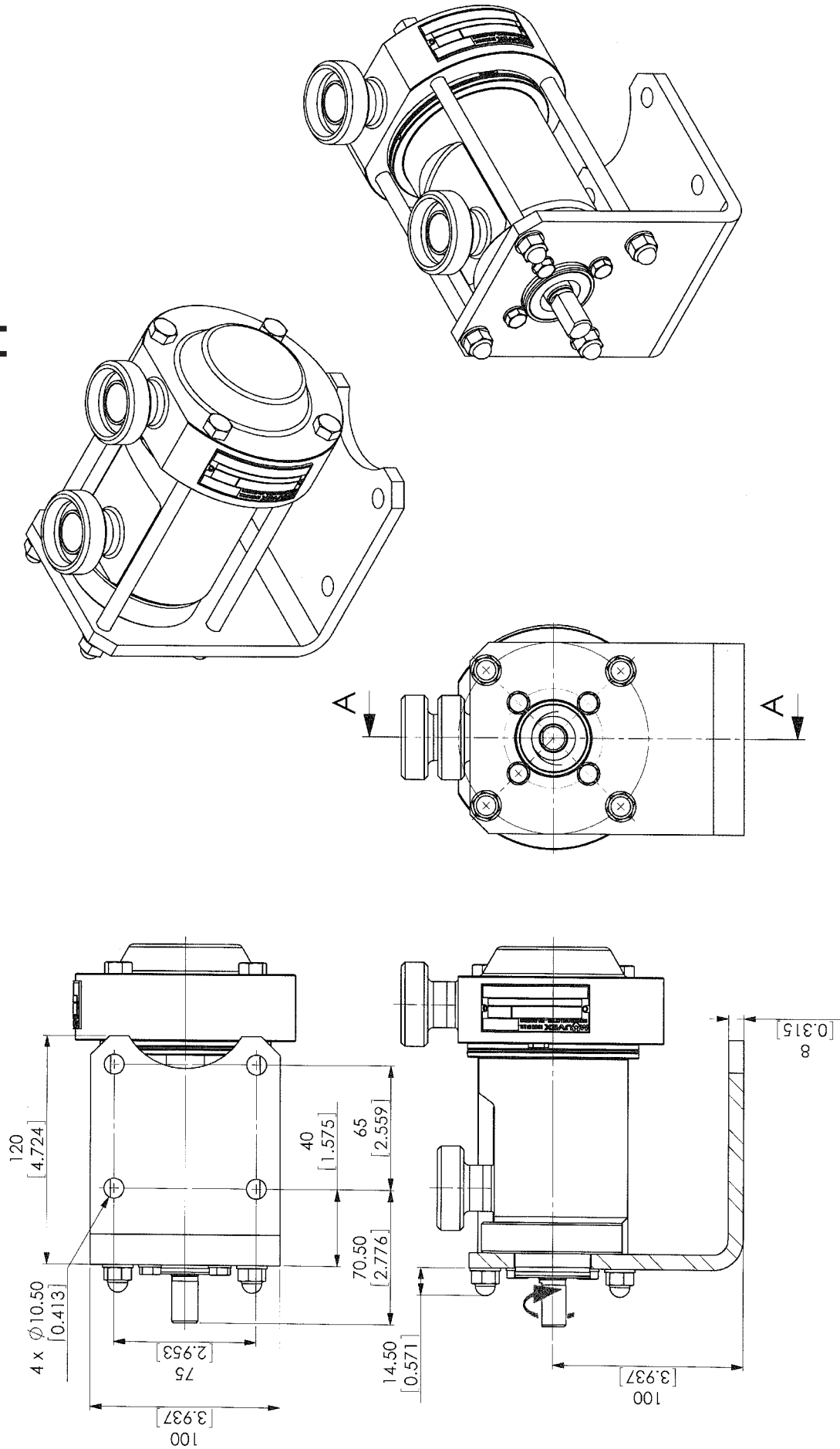
1. OVERALL DIMENSIONS (continued)

CLAMP ASME BPE-2009 (D25.4) Motor flange CEI FT-FF 100



1. OVERALL DIMENSIONS (continued)

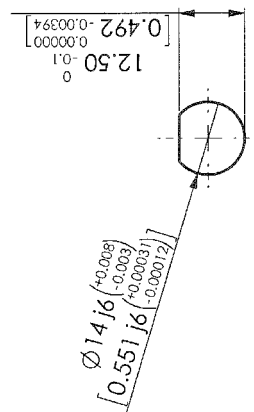
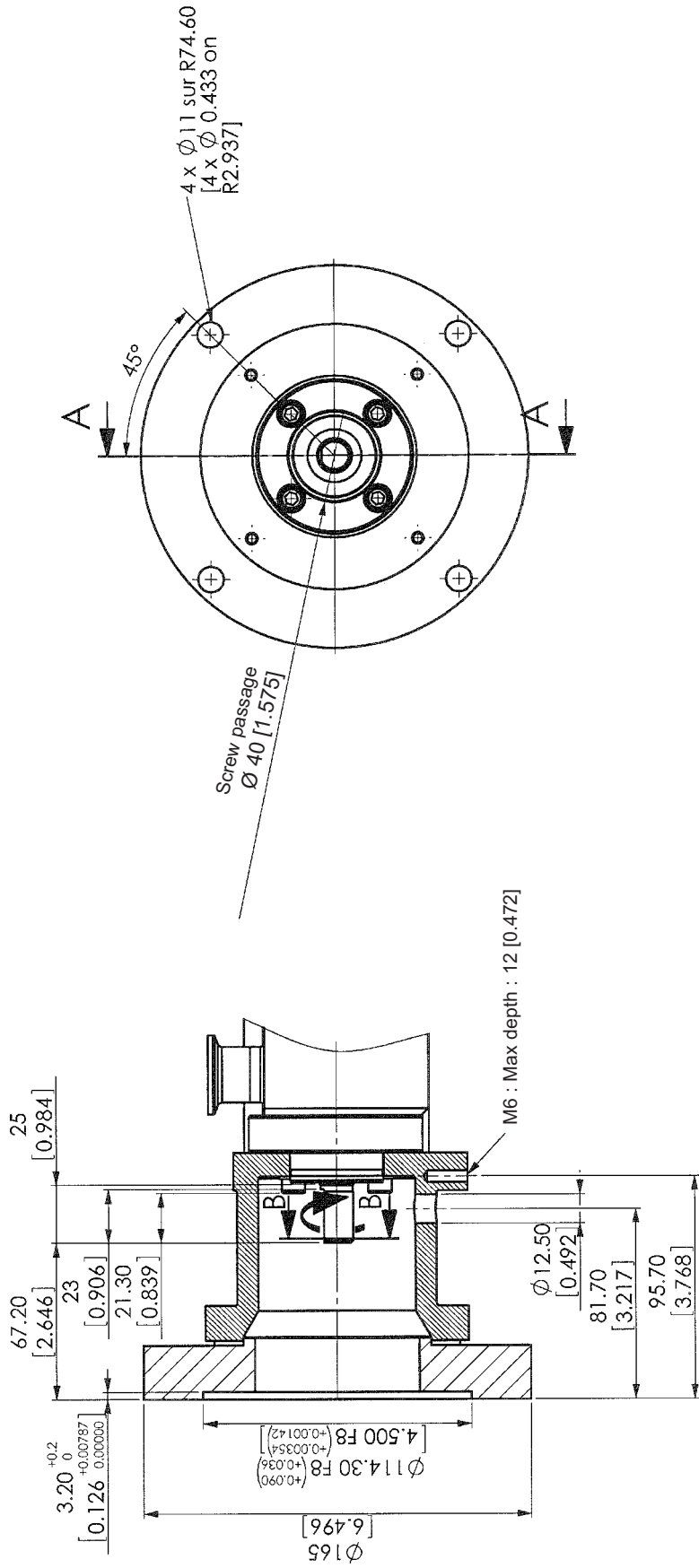
Support bracket



CAUTION :
 This variant involves limitations on ports orientation :
 • inlet tube - port downward : forbidden

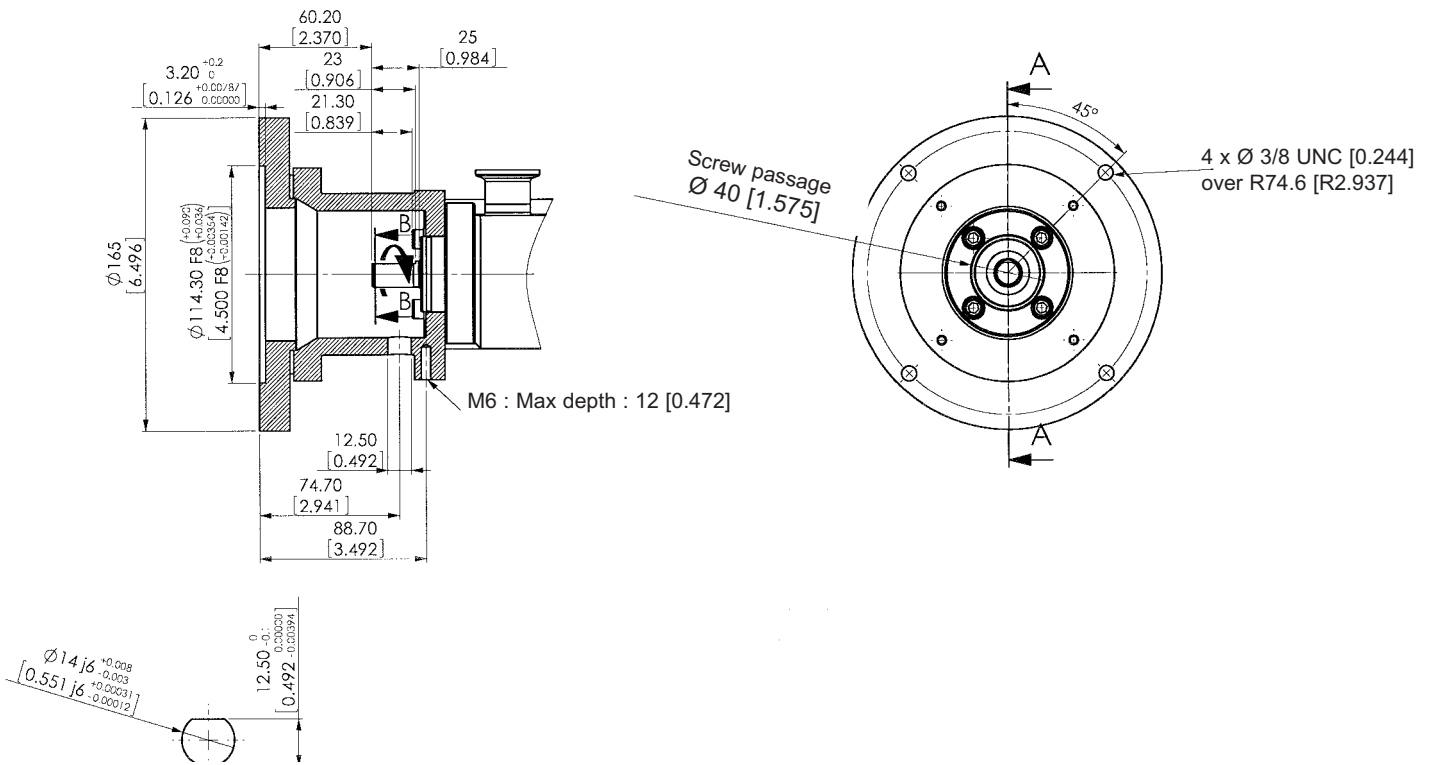
Motor flange NEMA 143

1. OVERALL DIMENSIONS (continued)

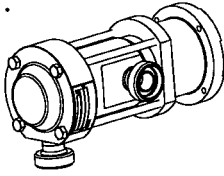
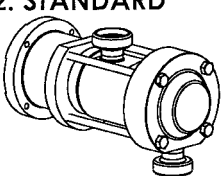
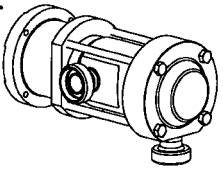
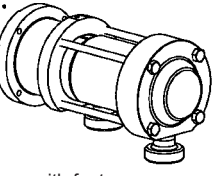
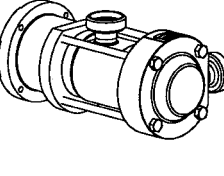
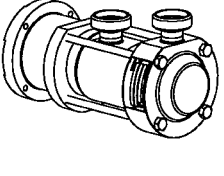
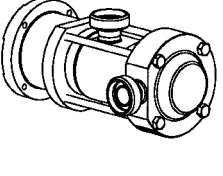
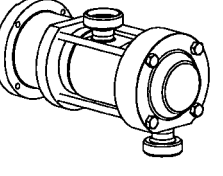


1. OVERALL DIMENSIONS (continued)

NEMA-H Flange adaptation



2. INSTALLATION

		POSSIBLES POSITIONS			
INLET	1. 	2. STANDARD 	3. 	4.  <small>Pump with foot : orientation forbidden</small>	
OUTLET	1. 	2. 	3. 	4. STANDARD 	

 CAUTION

All other ports orientations are not totally drainable. When inlet port is in position 1, 3 or 4, take care to not clog the vent and to protect it from outside.

2.1 Installation design

2.1.1 Pump

To obtain the service expected from a MOUVEX pump, regarding both performance and longevity, it is vital that the type of pump, its speed and the materials used for its construction are determined as a function of the pump output, its installation and operating conditions.

You can contact our Technical Services at any time to ask for the information you require.

2.1.2 Pipe

Not recommended



To be avoided if possible

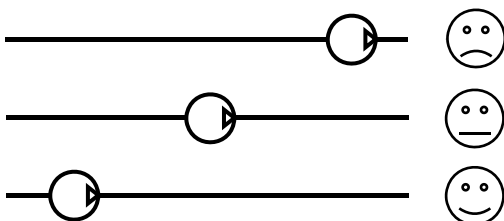


Recommended



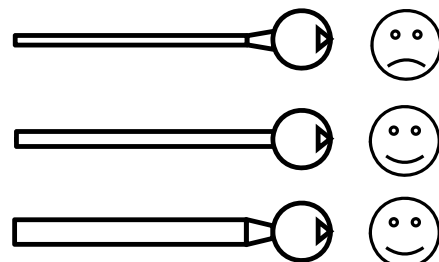
Suction pipe length

Length should be as short as possible.



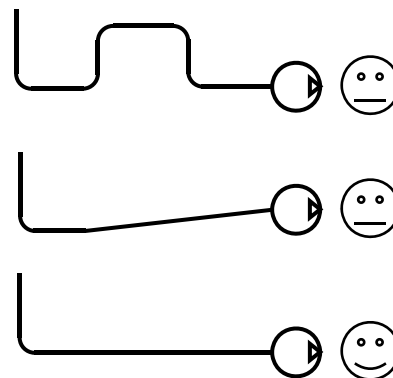
Suction pipe diameter

Diameter must be at least equal to pump port diameter and even more if required by pumping conditions.

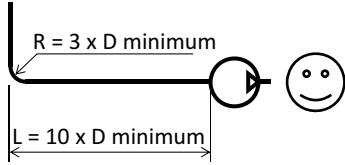
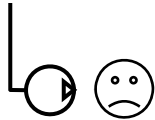


Suction pipe configuration

Check tightness to avoid accidental air intake.

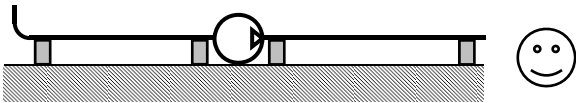
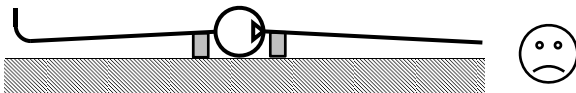
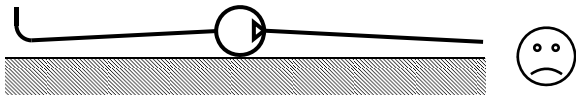


2. INSTALLATION (continued)



Pipe alignment and supporting

Pump must not support piping nor endure stress resulting from piping weight or dilatation effects. For latters, expansion loops should be included.

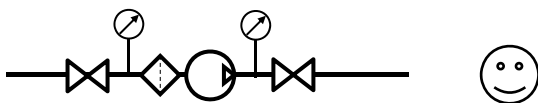


Pipe equipment

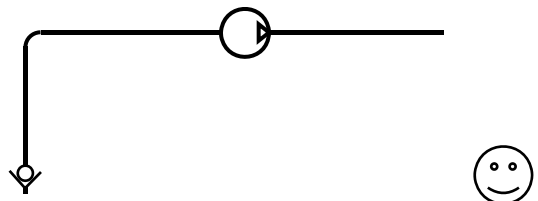
- Place valves close to the pump to avoid draining pipe during maintenance operations. Preferably select full bore ball or butterfly valves.

Pressure connections on pump suction and discharge are recommended for settings and controls.

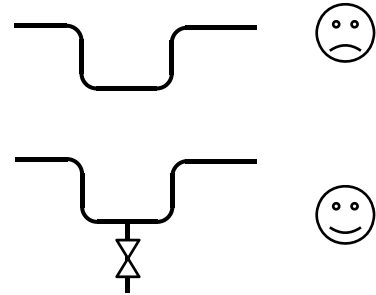
Make sure piping, vessels valves and other installation devices are carefully cleaned before mounting.



- MOUVEX pumps are self priming. However, if line emptying should be avoided and/or if suction lift is high, a foot valve can be added.



- If pumped liquid presents a risk of in pipe solidification and potential dilatation, low points on the pipe should be avoided or equipped with drain valve.



- If installation is heated, it must be designed so that fluid dilatation can evacuate through piping. Therefore fluid contained in piping must be heated before fluid contained in the pump. Also check that a heated pump is not isolated by closed valves.

The Micro C pump is a self-priming volumetric PD pump. Therefore, the pump must not run on a circuit with a closed valve. This is valid both for the suction circuit and for the discharge circuit.

The pump is designed to be attached to the end of a motor; during assembly ensure that the half couplings are tightly and securely closed.

For hoses fitting on pump suction or discharge, a hose whip restrain device must be installed to limit the whip or travel of the pressurized hose at start up, or in case the hose breaks free.



WARNING: SEVERE PERSONAL INJURY OR PROPERTY DAMAGE CAN CAUSE FROM WHIPPING HOSES.

2.2 Orientation of the pump ports

The suction port and the discharge port may be oriented in various positions.

If the port positions need to be changed at any time, see the corresponding paragraph.

NOTICE

Micro C pumps will be drainable only if the inlet port is pointed up (position 2) and the outlet port at the bottom (position 4).

2.3 Direction of rotation



When looking at the shaft, the rotation will be clockwise. An arrow situated on the lantern ring indicates the correct direction of rotation.



Verification of the correct rotation direction : Turning the pump the wrong way is not dangerous for the pump.



2. INSTALLATION (continued)

2.4 Protection of the installation and the pump

- Before any start-up or complete stopping of the pump, make sure the valves are open.
- During stop periods, with the pump full of product, either the suction or discharge circuit must be left open to enable expansion or contraction of the pumped product through reheating or cooling. If this instruction is not complied with, the bellows may be damaged and lead to premature failure.
- The stop time may lead to cooling of the product in the pump and therefore to an increase in viscosity. If this is the case, we recommend re-starting the pump at a speed adapted to this new viscosity (starting pump). Once the product arrives in the pump at the installation definition temperature, the pump may run at the speed specified for this application.
- Protection against excess pressure :
The pump must be protected against excess pressure. It can be delivered with a pressure switch to carry out.

 WARNING	<p>INCORRECT SETTINGS OF THE PRESSURE RELIEF VALVE CAN CAUSE PUMP COMPONENT FAILURE, PERSONAL INJURY, AND PROPERTY DAMAGE.</p>
	
<p>Hazardous pressure can cause personal injury or property damage.</p>	

 WARNING	<p>FAILURE TO INSTALL ADEQUATELY SIZED PRESSURE RELIEF VALVE(S) CAN CAUSE PROPERTY DAMAGE, PERSONAL INJURY OR DEATH.</p>
	
<p>Hazardous pressure can cause personal injury or property damage.</p>	

 WARNING	<p>PUMPS OPERATING AGAINST A CLOSED VALVE CAN CAUSE SYSTEM FAILURE, PERSONAL INJURY AND PROPERTY DAMAGE.</p>
	
<p>Hazardous pressure can cause personal injury or property damage.</p>	

- Protection against particles :
The pump and the installation must also be protected against any risk of damage through the passage of foreign bodies, by mounting a pre-filter at the pump suction.

In the event of foreseeable clogging of the pre-filter, we recommend using a vacuum switch to inform the user of pre-filter clogging. Prolonged running under cavitation may damage the pump.



The largest dimensions of the allowable particles in the pump are :



- Soft particles : 0,8 mm
- Hard particles : 0,4 mm

2.5 Unit Assembly

The following instructions apply to pumps delivered with a bare shaft or for MOUVEX motor-driven pump units (if the latter have no specific instruction notice).

2.5.1 INSTALLATION OF UNITS

 WARNING	<p>BE CAREFUL WITH THE WEIGHT OF THE PARTS WHEN THEY ARE BEING REMOVED.</p>
	
<p>The weight of the parts can be dangerous and may provoke bodily injuries or material damages.</p>	

 WARNING	<p>DISCONNECT THE ELECTRICITY SUPPLY BEFORE ANY MAINTENANCE OPERATION.</p>
	
<p>Dangerous voltage. Can cause injury and death.</p>	

The base below the unit is fundamental to ensuring correct operation and long service life.

The unit's base must be flat, level and sufficiently resistant to absorb the stresses caused by the motor-driven pump unit without deformation (if it is made of concrete, it must comply with the BAEL 91 standard).

If the unit is fastened using securing lugs or bolts, it must be carefully wedged to avoid deforming the frame while the bolts are tightened. A deformed frame would apply damaging stresses on the pump and the drive mechanism and misalign the coupling, causing vibrations, noise and premature wear. Ensure that the frame is well above the floor, except from the support plates.

If the unit is to be used in a food environment, support plates that allow the unit to be lifted for easier cleaning are recommended.



Allow, if possible, a clear space of approximately 50 cm on each side of the motor-driven pump unit (overall dimensions) to facilitate cleaning and give access if necessary to the pump, reduction gear and motor fastening nuts.



In all cases, the dimensions around the motor-driven pump unit must be designed to give the space required for dismantling the pump (if the need arises, use the values given on the overall dimension drawing).

For staff and equipment protection, the frame includes a ground connection point that should be used.

2. INSTALLATION (continued)

2.5.2 ALIGNMENT OF THE MOTOR/PUMP OR REDUCTION GEAR/PUMP SHAFTS

 WARNING	
	
Do not operate without guard in place.	IF OPERATED WITHOUT THE SHAFT GUARD, THERE IS CONSIDERABLE RISK OF SEVERE PERSONAL INJURY, SIGNIFICANT PROPERTY DAMAGE OR EVEN DEATH.

 WARNING	
	
Dangerous voltage. Can cause injury and death.	DISCONNECT THE ELECTRICITY SUPPLY BEFORE ANY MAINTENANCE OPERATION.

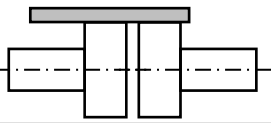
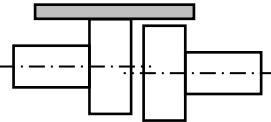
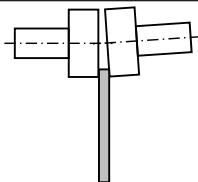
NEVER START A UNIT IF THE COUPLING ALIGNMENT IS INCORRECT. THIS IS A CONDITION OF OUR GUARANTEE.

REMINDER :

Coupling must never be used to compensate for a misalignment.

To control the alignment between the coupling and the shaft, use a straight-edge for concentricity and thickness gauges for angular misalignment (see instructions of the coupling for authorised values).

The 3 figures below show in detail the operation and the possible defects :

<i>Carry out the control at four points : at the top - at the bottom - left - right</i>	
	<i>Correct</i>
	<i>Bad alignment</i>
	<i>Angular fault</i>



Controlling the alignment at each stage of the installation is important to be sure that none of these stages have generated stresses on the unit or the pump :

- after fastening on the foundations.
- after fastening the pipes.
- after the pump has been operated at the normal operating temperature.

Where the pumps are supplied assembled as a unit, the motor and pump shafts have been perfectly aligned in the factory before delivery, but they must be systematically controlled on acceptance at the site and realigned if necessary.

To do this, do not modify the wedging of the various parts, but check the flatness of the support surface and use the adjustable foot to clear the frame of stresses that could affect it.

2.5.3 ELECTIC MOTORS



 WARNING	
	
Dangerous voltage. Can cause injury and death.	DISCONNECT THE ELECTRICITY SUPPLY BEFORE ANY MAINTENANCE OPERATION.

Check the compatibility of the instructions on the motor with the supply voltage.

Follow the wiring diagram, use wiring that is appropriate for the power and be particularly careful about the contacts which must be well tightened.

The motors should be protected with circuit breakers and suitable fuses. Connect the regulatory electrical grounding.

2.5.4 THERMIC MOTORS



 CAUTION	
	
Excessive temperature- can cause injury or severe damage.	THE SURFACES CAN BE AT A TEMPERATURE LIABLE TO CAUSE INJURY OR SEVERE DAMAGE.



Do not forget that these motors are not reversible. It is absolutely necessary to carefully control the suction and discharge sides of the pump before connecting the group to the piping.



Using electric motors is very common now; however, we strongly advise careful reading of the accompanying instruction manual.

2. INSTALLATION (continued)

2.5.5 CONTROL OF THE SENSE OF ROTATION

 WARNING	<p>TAKE ALL NECESSARY MEASURES TO RENDER ANY START-UP, EVEN ACCIDENTAL, OF THE PUMP DURING THE WORK IMPOSSIBLE.</p>
	
<p>Any unforeseen start-up can cause serious injuries or important material damages.</p>	

 WARNING	<p>IT IS IMPERATIVE THAT THE HYDRAULIC PRESSURE IS RELEASED BEFORE EACH MAINTENANCE OPERATION TO AVOID PERSONAL INJURY OR MATERIAL DAMAGE</p>
	
<p>Hazardous pressure can cause personal injury or property damage.</p>	

 WARNING	<p>IF OPERATED WITHOUT THE SHAFT GUARD, THERE IS CONSIDERABLE RISK OF SEVERE PERSONAL INJURY, SIGNIFICANT PROPERTY DAMAGE OR EVEN DEATH.</p>
	
<p>Do not operate without guard in place.</p>	

This control needs to be done with no liquid pumped through the pump, and both the suction and discharge circuits venting to avoid generating unexpected pressure (at the suction side, for example). This will ensure that the control will not damage either the pump or the installation.

Start the pump empty to check that the connections are good and that the direction of rotation corresponds to the suction and discharge direction on the installation. If it is necessary to reverse the direction of rotation, follow the instructions below :

Three-phase motor : switch any 2 current input wires.

Bi-phase motor : switch two same phase wires.

Single-phase motor : follow the instructions on the notice supplied with the motor.

3. USE

3.1 Noise level

The sound level of a pump is greatly influenced by its conditions of use. Cavitation and pumping products with high gas contents generally increases the sound level.

Under the following pumping conditions :

- excluding cavitation
- discharge pressure :

MICRO C 125	MICRO C 250	MICRO C 500	MICRO C 800
15 bar	10 bar	5 bar	3 bar

- speed of rotation 1000 rpm
- product viscosity of 1 cSt

The sound level reached for a MICRO C pump in good working condition without the drive is lower than 77 dB(A).

3.2 Commissioning

Make sure that the circuit valves are open before starting the pump.

To avoid any risk of polluting the pumped product, rinse the whole installation before starting-up so as to eliminate any contaminants that may remain in the piping, tanks etc. at the time of assembly.

For any pure water pumping during process or cleaning operations, consult Mouvex imperatively.

3.3 Dry running

The Micro C pump is self priming and is able to empty the pipes. To do this, it can run dry for a maximum duration of 5 minutes.

For ATEX, see Instructions 1071.

3.4 Stopping the pump

So as not to damage the pump, make sure that the pump is completely stopped before closing the valves.

3.5 Bellows monitoring

Failure of the bellows manifests itself as a liquid leakage at the vent (see overall dimensions drawing), when the suction is in positive pressure (>1 relative bar =14,5 psi). The vent must remain in the open air at atmospheric pressure (life time of the bellows will be reduced if the vent is closed).

3.6 Scrapping

The pump must be scrapped in compliance with the regulations in force.

During this operation, particular care must be paid to the drainage stages of the pump (pumped product) and of its transmission (grease).

4. CLEAN IN PLACE (CIP) & STERILISATION IN PLACE (SIP)

4.1 General

On-site cleaning (CIP) of an installation is undertaken by circulating various cleaning solutions through the equipment parts.

An automated CIP system enables :

- Preparation of the appropriate concentrations for the different cleaning solutions.
- Re-Heating of certain cleaning solutions at the optimum temperature.
- Circulation of the different solutions through the equipment parts to be cleaned.
- Cleaning and drying of the equipment parts.

For the most part, automated CIP systems are an integral part of process equipments.

Before starting CIP and if the process has not been followed by a water flush, care must be taken that a minimum of residual products remains in the piping and in the pump. The Micro C pumps, thanks to their excellent suction and compression capabilities, enable the quantities of residual products to be reduced. This minimises loss of products, eases cleaning and reduces cycle times.

The Micro C pumps are perfectly adapted to all processes using CIP. Micro C pump has been successfully tested for in place cleanability according to EHEDG document n°2. By complying with the installation rules described above, these pumps will give you complete satisfaction over a long period of time.

The start of CIP must immediately follow the end of the process to avoid any clogging or untimely drying.



Non-compliance with these instructions will lead to rapid deterioration of the cylinder/piston pair.

4.2 CIP circuit recommended

In all cases, the pressure at the pump inlet during cleaning **must not exceed 2 barg** (29 psig).

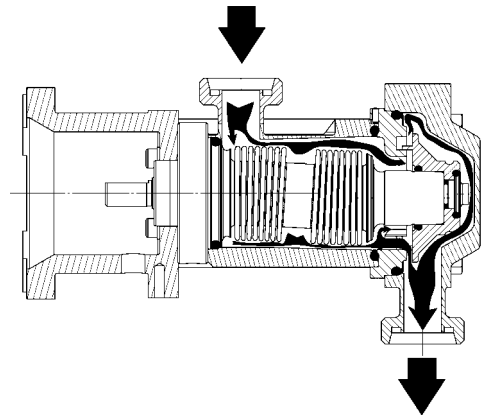
The flow through the pump required for optimal cleaning must be between **1,5 and 3 m³/h**.

This flow corresponds to difficult cleaning (sticky and viscous products). It can be reduced for easier types of cleaning.

4.3 Pumps arranged in series

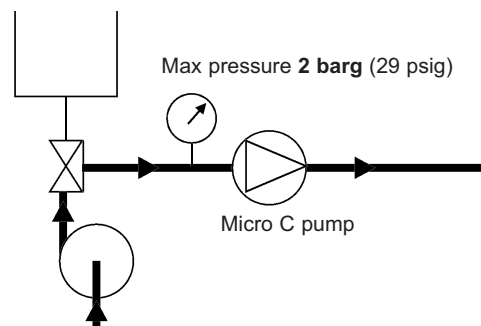
This type of assembly is preferred in all cases. It ensures optimal cleaning for the pump and makes use of the special design of the Micro C, i.e. the possibility of lifting the piston with the cleaning product.

As the pressure at the pump inlet is higher than that at its outlet, the piston lifts from the cylinder and permits the passage of all the cleaning liquid through the Micro C pump.



- A centrifuge pump is used for CIP cycles. This centrifugal pump is placed upstream of the Micro C pump.

The centrifuge pump must be installed in line with the Micro C pump.

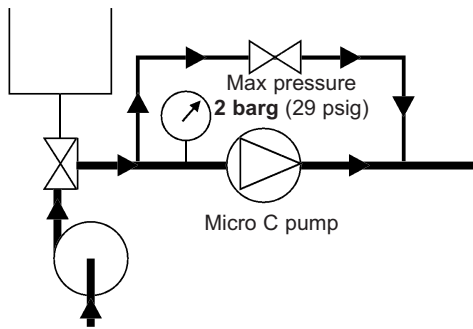


It is preferable not to run the Micro C pump during CIP although low speed (< 100 rpm) is acceptable by alternating start/stop operation.

- In certain cases, the flow of cleaning liquid required for the installation is higher than that recommended for cleaning the pump. In this case, a bypass must be used.

The bypass valve is adjusted to divide the flow between the circuit flowing through the Micro C pump and the bypass circuit.

4. CLEAN IN PLACE (CIP) & STERILISATION IN PLACE (SIP) (continued)

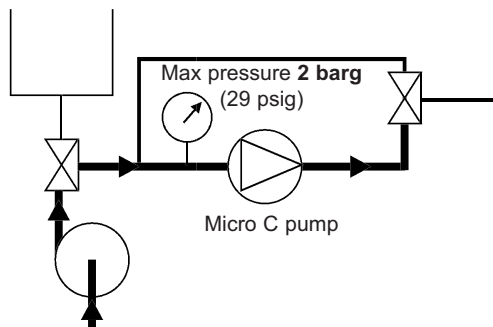


It is preferable not to run the Micro C pump during CIP although low speed (< 100 rpm) is acceptable by alternating start/stop operation.

- In certain cases, the cleaning pressure required for the installation is higher than 2 barg (29 psig). In this case, the use of a bypass is required and cleaning is done in 2 steps.

Cleaning the pump :

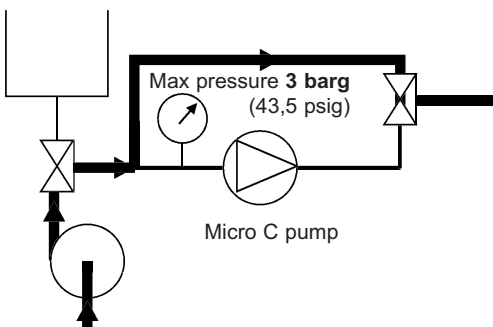
The cleaning flow should be limited during the cleaning of the C pump to ensure a maximum pressure of 2 barg (29 psig) at the C pump inlet.



It is preferable not to run the Micro C pump during CIP although low speed (< 100 rpm) is acceptable by alternating start/stop operation.

Cleaning the installation :

During this operation, the valve system used must ensure that no flow passes through the pump. This is in order to ensure that the Micro C does not run. Under these conditions, with the pump completely stopped, the pressure of the washing circuit can rise up to 3 barg (43,5 psig).

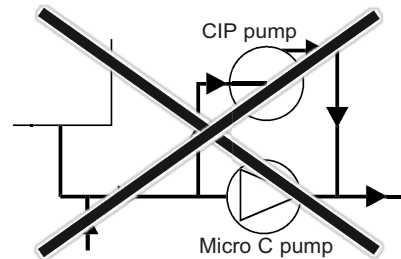


The pump must not run during this operation.

4.4 Pumps arranged in parallel

For applications where cleaning is easy and the differential pressure of the Micro C pump is lower than 2 bar (29 psi) during this operation, assembly in parallel is authorised. It should be noted that during cleaning, the Micro C pump will generally be acting on a product with few lubricating properties. This will contribute towards wear of the pump.

The CIP centrifuge pump must never be installed in parallel with a Micro C pump without taking special precautions.



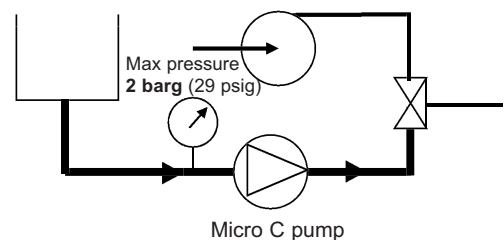
Indeed, in this case, the pressure at the inlet of the Micro C pump is lower than the pressure at the discharge and the piston remains forced against the cylinder. Therefore, the Micro C pump no longer provides a passage. Its efficient cleaning can no longer be ensured and the cylinder/piston pair will become prematurely worn.

Authorised assembly :

As mentioned previously for applications where cleaning is easy, assembly in parallel is authorised when the valves are installed so that the cleaning pressure of the circuit does not come into contact with the Micro C pump.

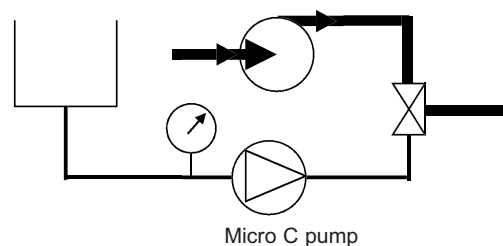
In this case, the Micro C pump cleans itself.

Cleaning the pump :



We recommend limiting the rotation speed of the Micro C pump.

Cleaning the installation :



The Micro C pump is stopped when cleaning the installation.

4. CLEAN IN PLACE (CIP) & STERILISATION IN PLACE (SIP) (continued)

4.5 Successive cycles

Generally, the most efficient CIPs comprise 5 stages :

1. Pre-washing with clean water

Water at room temperature. 10 to 15 minute cycle. This pre-wash enables evacuation of the remaining residues.

2. Washing with an alkaline detergent

Typically this is soda at 2.5% at a temperature of 80°C. 20 to 30 minute cycle. This wash particularly enables dissolving and evacuating grease and proteins.

3. Rinsing with clean water

Water at room temperature. 10 minute cycle. This rinse helps to avoid 2 cleaning solutions being mixed.

4. Washing with an acid solution

Typically this is 2,5% nitric acid at room temperature. 10 to 15 minute cycle. This wash helps to dissolve and evacuate proteins and inorganic salts in particular.

5. Rinsing with clean water



Water at room temperature. Several 1 to 2 minute cycles. These rinses enable all traces of acid solution to be evacuated.



During all these CIP stages, the average speed of the cleaning liquids in the pipes must be between 1,5 and 3 m/s (59 in/sec and 118 in/s).



4.6 Sterilisation In Place (SIP)



The Micro C pumps are perfectly adapted to all processes using SIP (Sterilisation In Place) : pump stopped / maximum 30 min per cycle / 1 or 2 cycles per day.



5. MAINTENANCE



 WARNING	
	
Any unforeseen start-up can cause serious injuries or important material damages.	<p>TAKE ALL NECESSARY MEASURES TO RENDER ANY START-UP, EVEN ACCIDENTAL, OF THE PUMP DURING THE WORK IMPOSSIBLE.</p>

 WARNING	
	
Hazardous pressure can cause personal injury or property damage.	<p>DISCONNECTING THE FLUID OR PRESSURE CONTAINMENT COMPONENTS DURING PUMP OPERATION CAN CAUSE SERIOUS PERSONAL INJURY, DEATH OR MAJOR PROPERTY DAMAGE.</p>

 WARNING	
	
Hazardous pressure can cause personal injury or property damage.	<p>FAILURE TO RELIEVE THE SYSTEM PRESSURE PRIOR TO PERFORMING ANY WORK ON THE PUMP OR THE INSTALLATION CAN CAUSE PERSONAL INJURY OR PROPERTY DAMAGE.</p>

 WARNING	
	
Hazardous or toxic fluids can cause serious injury.	<p>IF PUMPING HAZARDOUS OR TOXIC FLUIDS, THE SYSTEM MUST BE FLUSHED PRIOR TO PERFORMING ANY SERVICE OPERATION.</p>

 WARNING	
	
The weight of the parts can be dangerous and may provoke bodily injuries or material damages.	<p>BE CAREFUL WITH THE WEIGHT OF THE PARTS WHEN THEY ARE BEING REMOVED.</p>

 CAUTION	
	
Slippery lubricant. Spills should be cleaned up.	<p>THE PUMP LUBRICANT IS VERY SLIPPERY AND MAY CAUSE SERIOUS INJURY. ANY SPILLS MUST BE CLEANED UP.</p>

Pump greased for life with Food synthetic grease

5.1 Necessary tools

- 13 & 11 Open-end spanners
- 32 Open-end spanner or monkey spanner
- Wrench for 6 flats with 5" groove
- 2 screwdrivers

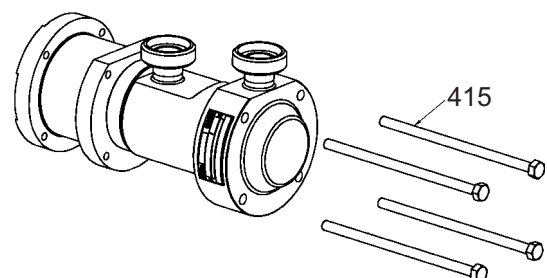
Makeup torques :

- M6 : 5 Nm
- M8 : 13 Nm
- M14 : 25 Nm

5.2 Disassembly

Before any dismantling, make sure that the pump has been drained and take the necessary measures to avoid starting-up. No start-up, even accidental, must be allowed.

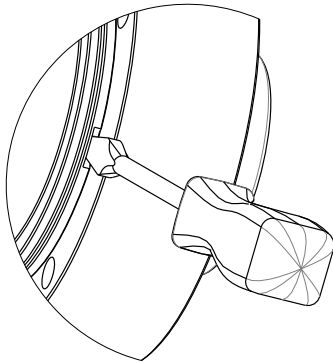
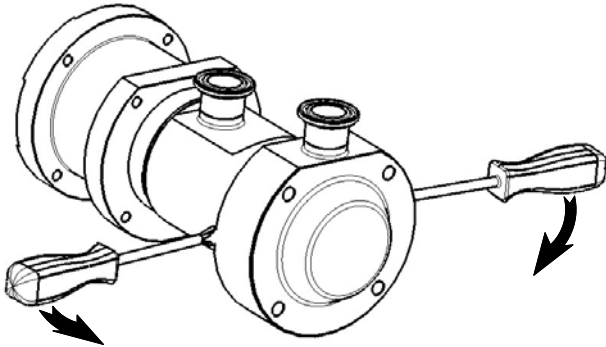
- Disconnect the pump from the discharge pipe.
- Unscrew the 4 screws 415.



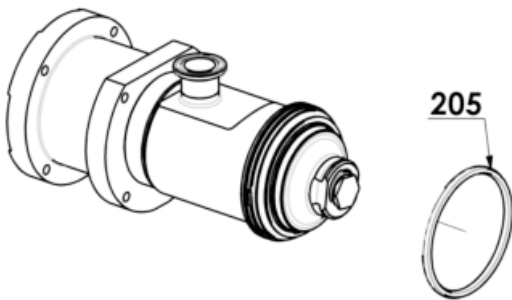
5. MAINTENANCE (continued)

- Lay down the front cover 400 with the 2 screwdrivers.

It is important to keep a good grip on the cylinder as you take the front cover off. Its rotation could lead to deterioration of the bellows.

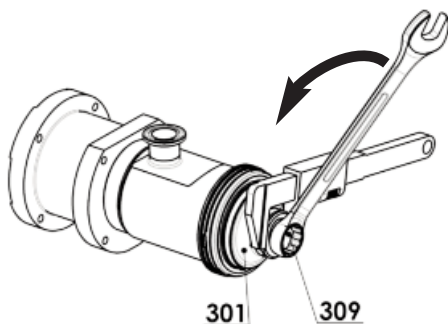


- Remove the seal 205.

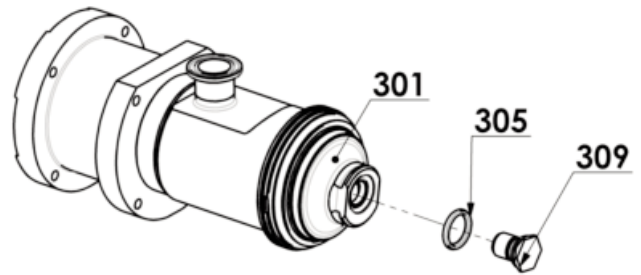


- Hold piston 301 in place with a 32 open-end spanner or monkey spanner and unscrew screw 309.

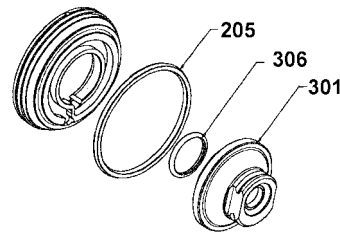
It is important to keep a good grip on the piston, its rotation could lead to deterioration of the bellows.



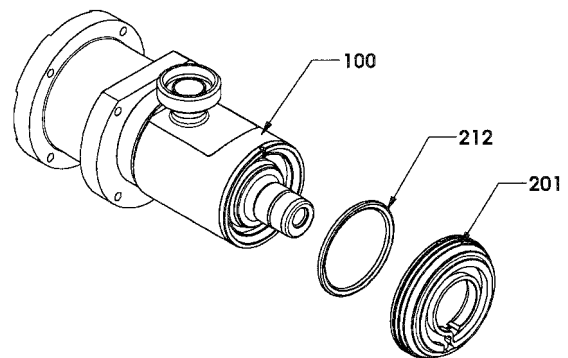
- Extract screw 305, seal 305 and the piston 301.



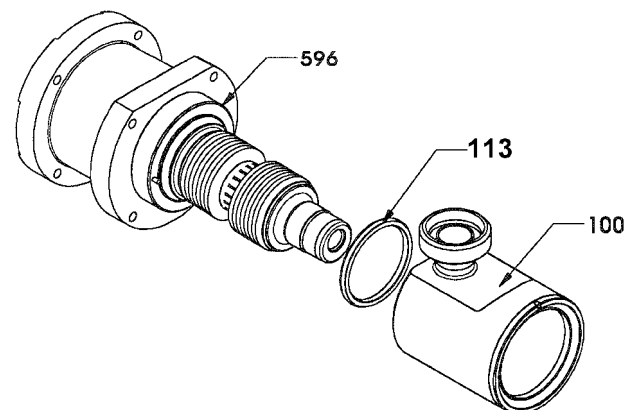
- Remove seal 306 from piston 301.



- Remove cylinder 201 and seal 212.

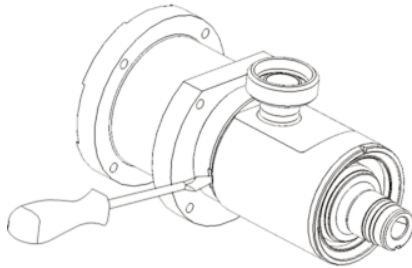


- Remove manifold 100 and seal 113.



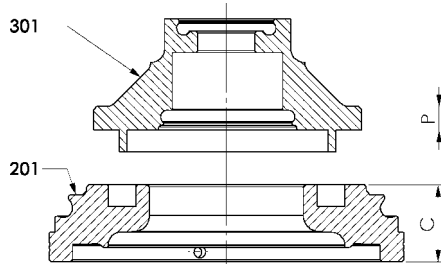
5. MAINTENANCE (continued)

Pumps manufactured after September 2014 : Two notches ease manifold removal with a screwdriver.



5.3 Checking the parts

Piston **301** and cylinder **201** are active parts (wearing parts). These parts must be replaced if the thickness measurements are lower than the following values.

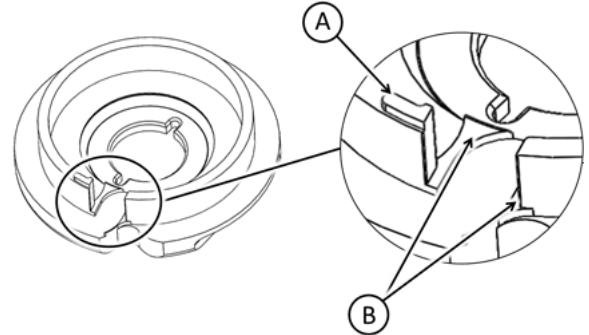


Minimum measurements (mm)						
		C125	C250	C500	C800	
Piston 301 (P)	New	6	6	6	4	
	Min.	4,5	4,5	4,5	3	
Cylinder 201 (C)	New	19,5	19,5	19,5	23,5	
	Mini	18	18	18	22	

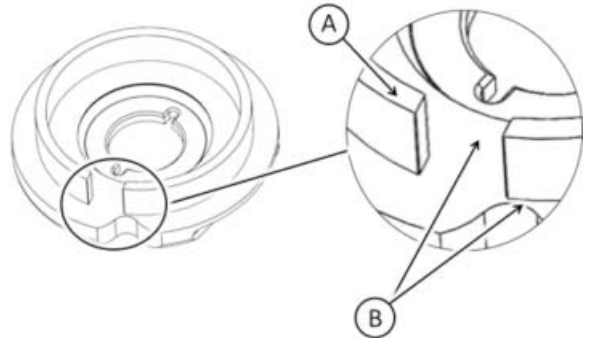
Minimum measurements (inches)						
		C125	C250	C500	C800	
Piston 301 (P)	New	0,236	0,236	0,236	0,157	
	Min.	0,177	0,177	0,177	0,118	
Cylinder 201 (C)	New	0,768	0,768	0,768	0,925	
	Mini	0,709	0,709	0,709	0,866	

When controlling the piston and even if it has not reached its minimum dimensions, it may show following aspects, especially on abrasive liquid pumping or low viscosity :

- Triangular shape on top of piston wall (A),
- Small steps at piston wall base (B).



Before putting back the piston on the pump, eliminate these asperities by filing and finishing with fine sandpaper (No 320 grain or equivalent), taking care of not scratching any other surface around. Piston must then look as follows :



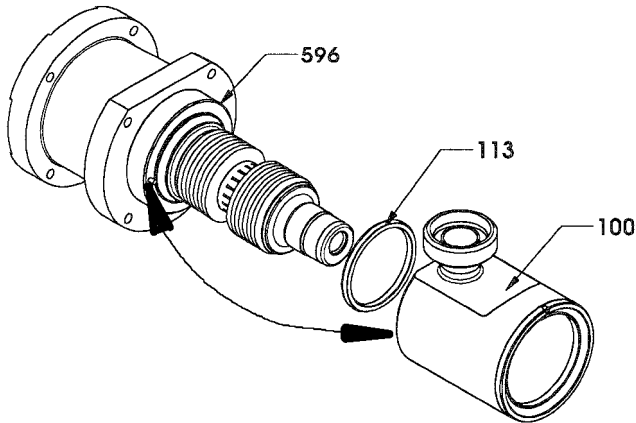
Do not retouch any other surface of the piston by any mean as it can degrade pump performance and reliability. In particular, do not round or attenuate disc wall edges.

Even if it shows wearing signs, do not retouch any surface of the cylinder by any mean as it can degrade pump performance and reliability.

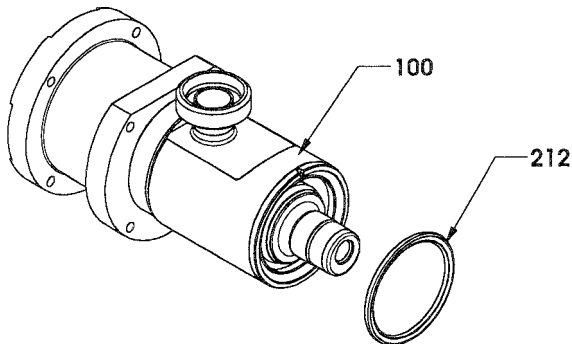
5. MAINTENANCE (continued)

5.4 Reassembly

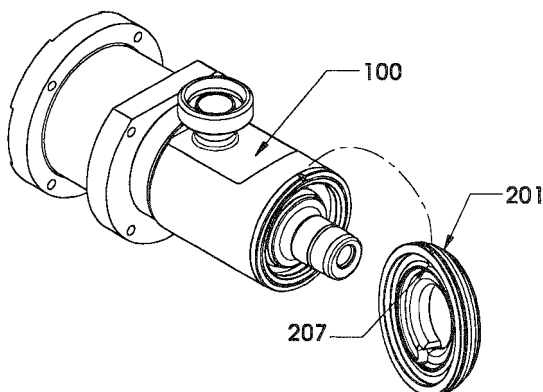
- Check the state of seals **113**, **212** and replace them if necessary.
- Position seal **113** on the large flange.
- Position manifold **100**, watching out for the indexing pin.



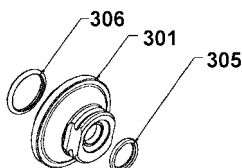
- Position seal **212** inside manifold **100**.



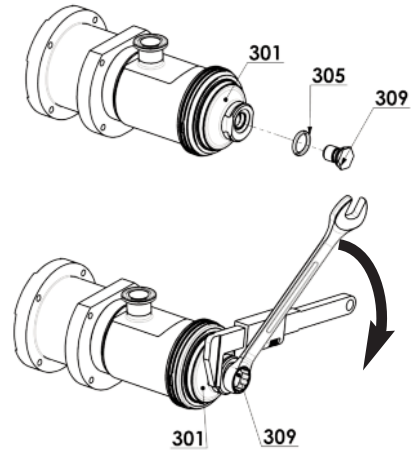
- Position cylinder **201** so that its pin **207** fits into the notch of manifold **100**.



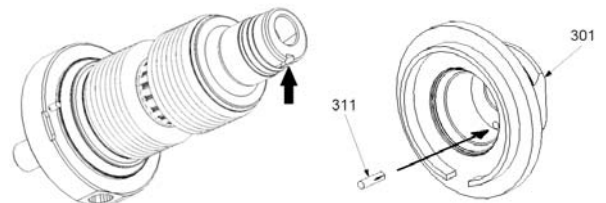
- Position seal **306** in piston **301** along with seal **305**.



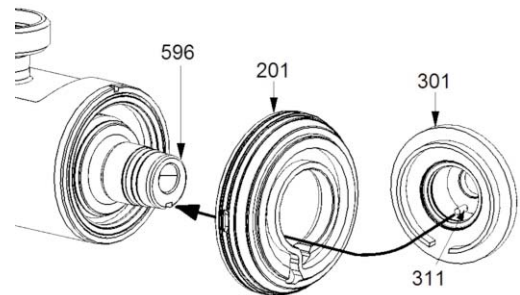
It is important to keep a good grip on the piston, its rotation could lead to deterioration of the bellows. When tightening screw **309**, comply with the assembly torque of 25 Nm.



Pumps manufactured after September 2014 : Groove under transmission hub.



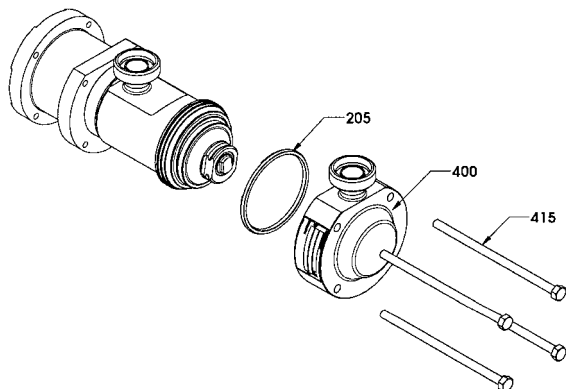
- Put pin **311** on piston **301**.
- Engage piston **301** on hub **596**, with the slot on piston **301** facing the partition on cylinder **201**.
- Also check that pin **311** on the piston faces groove on transmission hub **596**.



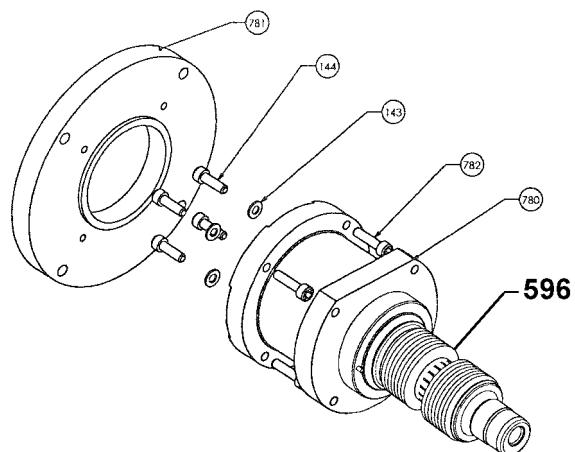
- Give a small sideways push to the piston in order to centre it and engage it in the cylinder, then push it tight to the end, making sure that the piston hole is engaged opposite the hole in transmission hub **596**.
- Also check that pin **311** on the piston faces groove on transmission hub **596**.
- Hold piston **301** in place with a 32 open-end spanner or a monkey spanner. Grease screw **309** and screw it with its seal **308**.

5. MAINTENANCE (continued)

- Position seal **205** on the cylinder.
- Re-mount front cover **401** while positioning the outlet port as desired.
- Position screws **415** and tighten them (4 x M8 assembly torque 13 Nm).



5.5 Trunk disassembly/reassembly



The trunk is dismantled by dismantling the front cover and manifold as explained in the DISASSEMBLY paragraph.

- Next, unscrew the 4 screws **144** and the 4 washers **143** and uncouple trunk **780** from the transmission **596**.

CAUTION :



BE CAREFUL NOT TO KNOCK OR SCRATCH THE BELLOWS.

- In the case of the NEMA flange **781**, unscrew the 4 screws **782**, uncouple the NEMA flange **78** from trunk **780**.
- Reassembly is done in the reverse order. The screws **144** or **782** must be fitted using a medium screw lock.

6. STORAGE

If necessary, refer to § MAINTENANCE for pump disassembly.

6.1 Short duration (≤ 1 month)

	WARNING	IF PUMPING HAZARDOUS OR TOXIC FLUIDS, THE SYSTEM MUST BE FLUSHED PRIOR TO PERFORMING ANY SERVICE OPERATION.
		
Toxic or hazardous fluids can cause serious injury.		

MOUVEX pumps and motor-driven pumps are well lubricated when delivered to protect the internal parts during brief storage in a building where :

- the temperature remains between 10°C and 50°C.
- the relative humidity does not exceed 60%.
- exposure to vibration is limited.
- pump is stored in an area sheltered from bad weather and sun.

6.2 Long duration (> 1 month)

The recommendations from the manufacturer should be followed if the pump is stored with its gear motor.

Pump ports should be filled with a non-corrosive liquid that it compatible with the pump components in order to prevent corrosion.

Unpainted external surfaces of the pump (e.g. shafts, couplings, etc.) should be covered in some form of anti-corrosion protection.

If pump storage lasted more than the life of the grease, the transmission should be replaced in time to prevent an excessive degradation of grease qualities.

The best storage conditions are inside a building that meets the conditions set out above.

If inside storage is not possible, the materials should be covered to prevent direct exposure to sun and bad weather. This protection should also prevent condensation.

The pump should be turned a few revolutions manually every two months.

6.3 Restarting

Follow the standard start-up procedure for the pump/motor-driven pump, as well as the instructions below.

Turn the pump by hand to make sure the parts move freely.

7. TROUBLESHOOTING

ZERO OR INSUFFICIENT FLOW		
1		PRELIMINARY CHECKS
	1-1	Make sure that the plastic plugs have been taken away from the ports of the pump and that the pump is running (defective drive, damaged motor, etc., faulty transmission : broken coupling, sliding belt, worn or poorly coupled clutch, etc.).
	1-2	Make sure that the pump rotates in the correct direction corresponding to the direction in which the liquid circulates in the installation (cf. the pump plate). If necessary, change the electric motor connections.
	1-3	Make sure that the pump rotation speed is sufficient. Determine this by checking the speed of the pump motor (see motor plate) and the speed reduction ratio (see reduction gearbox plate) or use a rev. counter.
		If these checks do not highlight the problem :
2		MEASURE THE DISCHARGE PRESSURE (as close to the outlet of the pump as possible, with a minimum distance of 5 pipe diameters).
	2-1	If the pressure is lower than the figures given for the material, or null, this could be due to :
	2-1-1	The pump is worn, this will also affect the suction capacity of the pump (cf 3-2-2 b).
3		MEASURING THE VACUUM PRESSURE (as close as possible to the pump inlet, inlet side).
	3-1	If the vacuum is high, e.g. higher than or equal to 6 to 7 metres WC (0.6 to 0.7 bara i.e. about 45 or 50 cm of mercury), this can result in pump noise. The cause could be :
	3-1-1	a. the suction lift is too high (reduce it by taking the pump down closer to the level of the liquid). b. the dynamic suction losses are too high : the inlet piping orifice is too close to the bottom of the tank.
	3-1-2	The inlet piping is completely blocked (valve, tap, filter, cloth, full seal forgotten, etc.)
	3-1-3	The liquid vapour pressure is too high (or has become too high following, for example, a change of temperature). Bring the pump closer to the level of the liquid, install the pump closer to the feed or cool the liquid to reduce the vapour pressure.
	3-2	If the vacuum is low, for example, less than 3 metres WC (i.e. about 20 cm of mercury), check for leaks on the inlet pipe, isolate the pump from the inlet piping (by closing the valve nearest the pump or by inserting a full flange seal) and measuring the vacuum once again.
	3-2-1	If the vacuum is high with the isolating valve closed on suction line, e.g. higher than or equal to 6 or 7 metres WC (i.e. about 45 to 50 cm of mercury), the pump is not the cause : a. there must be an air inlet upstream of the pump isolating valve. b. the liquid vapour pressure is or has become too elevated due to a change of temperature (cf 3-1-3).
	3-2-2	If the vacuum is low or non-existent, the reason could be : a. air is entering the pump (check the front cover seals, flanges, etc...) b. the pump is worn and the internal tightness is out of specification (the piston bushings are worn, worn piston and cylinder, broken piston wear compensation springs, worn partition, broken shaft).

7. TROUBLESHOOTING (continued)

ABNORMAL HEATING OF BEARINGS		
4		This heating can be caused by :
	4-1	- excessive tension in the transmission (belt or chain) on the pump shaft.
	4-2	- excessive pulling on the pump flanges by the piping (in this case, it must have been necessary to force the piping into position to connect it to the pump).
	4-3	- poor alignment of the pump - due for example to 4-2 (the pump is partially or totally uncoupled, the pump shaft and drive shaft are not aligned with each other).
	4-4	- inadequate anchoring of the pump unit leading to deformation of the chassis (make sure that the chassis is clear of the ground except for the 3 anchoring points).
ABNORMAL NOISES		
		These noises can be caused by hydraulic and mechanical sources. They can be distinguished by the fact that only the former disappear (or at least lessen) when air is allowed into the inlet pipe.
5		HYDRAULIC NOISES
		These noises can come from insufficient product being supplied to the pump, or :
	5-1	- the rotation speed is too high for the installation conditions (increase of viscosity due to a change of product or a reduction of temperature, etc.).
	5-2	- that the suction head is too high or has become too high due to excessive head losses following clogging of the piping or filter, a change of viscosity of the liquid, etc.,
	5-3	- an increase of the vapour pressure with a rise of temperature.
6		MECHANICAL NOISES
		These can stem from :
	6-1	- abnormal stress on the pump : the transmission is pulling on the shaft, pulling on the flanges by the piping.
	6-2	- a broken part or foreign body has entered the pump.
EXCESS POWER CONSUMPTION		
7		The most spectacular event occurs when the power to an electric motor is shut off.
	7-1	If this incident occurs when closing the discharge line, the cause may be the motor protection is adjusted too low or wrong circuit breaker have been fitted.
	7-2	If the incident occurs during operation, the cause could be : a. an inadequate motor (in this case, the discharge pressure complies with what was expected). b. head losses higher than expected - following higher viscosity or specific gravity than planned initially (in this case, the discharge pressure is higher than that planned. The pressure can be reduced by loosening the relief valve adjustment screw - the flow is decreased). c. excessive speed of rotation. d. a fault of the equipment (faulty alignment, deformation of the chassis, stress exerted by the piping on the flanges, seizing, etc.).
		Excessive consumption of electricity can also be due to a poor motor connection (e.g. a 3 phase motor operating on 2 phases).