



**INSTRUCTIONS 1011-P00 e**

|           |               |
|-----------|---------------|
| Section   | 1011          |
| Effective | December 2008 |
| Replaces  | June 2004     |

Translation of the  
original instructions

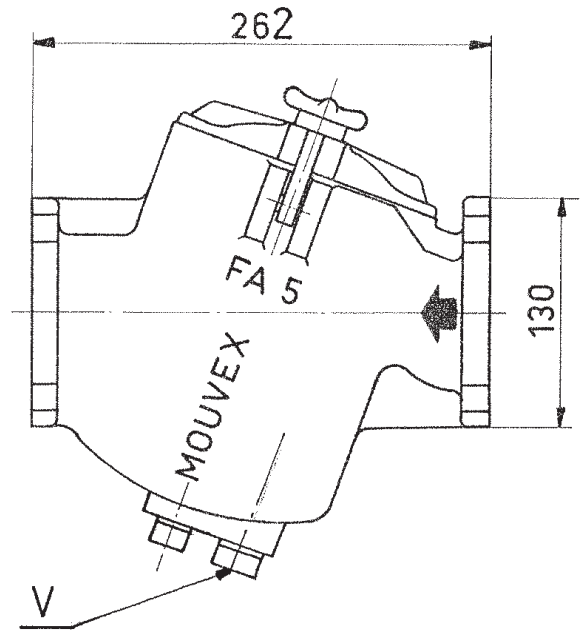
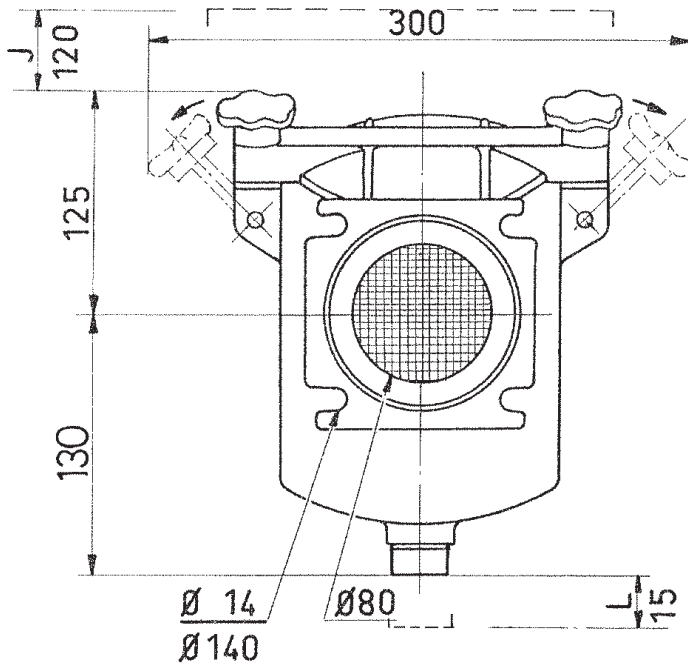
# *FA 5 filter*



Z.I. La Plaine des Isles - F 89000 AUXERRE - FRANCE  
Tel. : +33 (0)3.86.49.86.30 - Fax : +33 (0)3.86.49.87.17  
contact@mouvex.com - www.mouvex.com

Your distributor :

## OVERALL DIMENSIONS



J : Filter basket clearance

L : Drain plug clearance

V : Drain plug

### Presentation

The FA 5 filter is normally used in systems for delivering liquids through a meter, in order to protect the pump and the meter from foreign matter.

Fitted on the pump's feed line (imperatively horizontal pipe), these filter is specially designed to cause the minimum pressure drop.

FA 5A filter is equipped with two baskets, one with a mesh size of 0,4 mm, the other with a mesh size of 1,30 mm. However, for special operating conditions, such as pumping light fuel oil or home heating oil in very cold weather (risk of paraffining or increase in viscosity), it may be necessary to **temporarily** remove the small mesh upper basket.

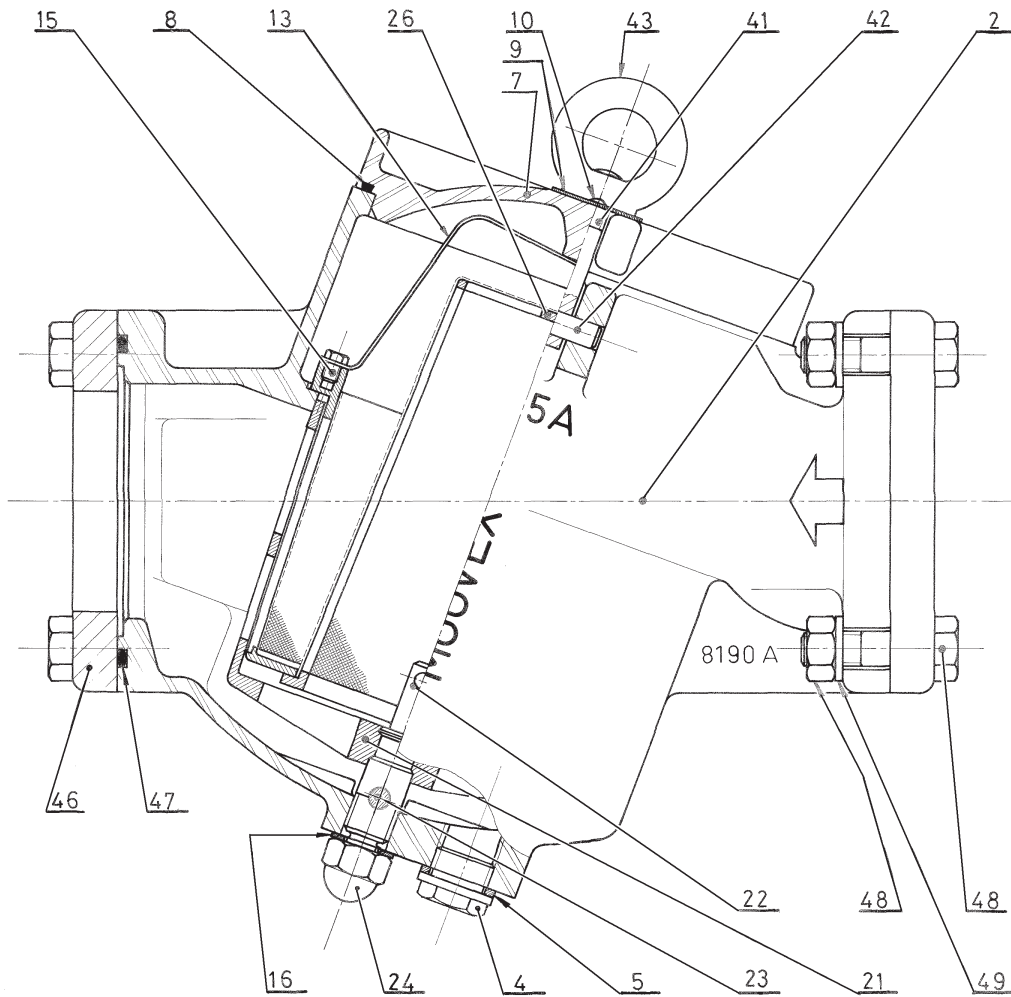
To clean a filter, it is necessary to dismount the basket and to drain the casing. Casing and basket must be carefully cleared of all foreign matter.

### Piping assembly

In order to achieve the best usage conditions, it is important to take the following recommendations into account when it comes to fitting pipes :

- The pipes are supported and aligned with the filter in such a way as to avoid putting stress on the filter flanges. Non-compliance with this instruction can lead to deformation of parts, even causing parts to break.
- The pipes should be designed to allow for thermal expansion/contraction (the use of flexible hoses or expansion loops is recommended).
- If the liquid may freeze or solidify, prepare for draining the piping by installing drain taps at the low points and air vents at the high points.

# PARTS LIST



| REP  | Designation                           |
|------|---------------------------------------|
| • 1  | BODY COMPLETE (2+41+42+43+4+5)        |
| • 40 | Set of swinging bolts (41 + 42 + 43)  |
| • 3  | Drain plug (4+5)                      |
| • 6  | Cover (7+9+10+8)                      |
| • 20 | Lower basket (21 + 22 + 23 + 16 + 24) |
| • 25 | Upper basket (26 + 13 + 15)           |
| • 50 | Set of seals (5 + 8 + 16)             |

When ordering replacement parts, mention :

- The REFERENCE and NAME of the part required.
- INSTRUCTIONS 1011-P00.

- Parts and assemblies available for purchase.