

mouvex

METERED RECEIVING OF HYDROCARBONS

CENTREX MULTI 60 CMB

INSTALLATION

Technical Instructions N° 827a II

***mouvex* 5, rue du Sahel - F 75012 PARIS**

STORAGE

The equipment awaiting installation must be stored in a dry sheltered place; with the counter protected (by its cover if it has one).

INSTALLATION

Installation shall conform to the standard diagram approved by the Instruments Department (DIRECTION REGIONALE DE L'INDUSTRIE ET DE LA RECHERCHE) and be carried out by an installer who has received the authorization of the DRIRE or its Technical Services department.

In all cases the user or installer must let our Technical Services department have a detailed and dimensioned drawing of the installation which, after being approved, will determine the conditions of our guarantee.

The unit does not undergo prior examination in the factory.

The primary inspection, which it is the installer's responsibility to request, will be carried out on site by the local DRIRE which will stamp the identification and stamping plate fixed to the unit both on this occasion and during its routine visits.

Fixing of the chassis

Make sure that the chassis is horizontal and is in no way distorted by the fixing.

Connection of the pipes

The assembly is supplied with counter-flanges.

See to it that the pipes do not exert any abnormal stress on the set (if necessary, there should be brackets to support the pipes and valves).

Motor

This must be effectively protected from overloads by means of a suitably set circuit-breaker. During start-up, make sure that the strips in the terminal box are in the correct position. Please refer to the motor connection instructions.

Set below ground

Clearance must be provided to permit dismantling (cf. overall layout plan). In all cases the sightglass must remain visible so that it is possible to check whether or not there is product in the tank.

It is strongly recommended that the set should be properly protected and essential that there should be rainwater drainage.

FEEDING

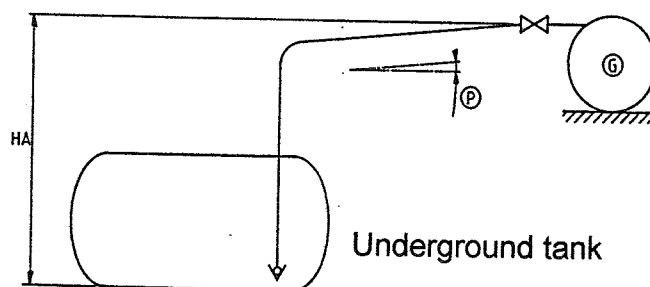
The total suction height, i.e. the total lift H (geometrical height H_A + losses of head) shall be as low as possible so as to prevent any risk of vaporisation of the product.

It is absolutely essential to comply with the following:

- $H_{\max.} = 4 \text{ m}$ for FOD/GO (which may mean having to locate the set underground in certain cases).

Over lengths of less than 50 m, pipes of 125 mm diam. should be used.
For greater lengths, please consult us.

The pipes will have a positive gradient (P) towards the pump (G) - $P_{\min.} = 0.5\%$.



A foot-valve will be fitted at the end of the feed pipe to prevent any drainage due to a possible leakage in these pipes.

Venting to atmosphere and the return of foam occur:

At the storage tank:

The installation embodies the priming pump, the installer shall fit a return pipe of 8 mm diam. between the delivery orifice of the priming pump and the storage tank and shall use the diaphragm.

At the CENTREX pump:

The installation comprises:

- the drain cock PU3 A2,
- the valve 1.5 b.

The installer shall fit a pipe of 8/10 diam. connecting the venting orifice of the drain cock PU3 A2 to a small container.

DELIVERY

The diameter, length and accessories (elbow, T-piece, valve...) of the delivery pipe shall conform to the specifications defined at the time of the order. Our guarantee depends on this conformity.

To prevent water hammer, the loading arm shall be equipped with a delayed-closure valve which is to be set according to the manufacturer's instructions.

The distance between the counter and the loading arm shall be such that the volume between these two elements is smaller than the minimum delivery.

APPLICATION

The CENTREX MULTI units are delivered ready-for-use.

Pumped products

There must be rigid conformity with the instructions defined in the equipment specification.

Apart from the general safety conditions which must be observed (earthing of the vehicle etc.), metered loading requires the following operations to be performed:

- Insert the docket in the counter and turn the crank or the actuation button.
- Open the storage valve.
- Start up the set.
- Open the valve of the loading arm and proceed to fill the compartment.
- Close the loading arm and turn the crank or the actuation button.
- Shut down the set.
- Close the storage valve.

NOTE:

The quantity of product received is obtained by subtraction of the two numbers printed on the docket.

MAINTENANCE

Periodic cleaning of the filter is all the maintenance needed.

For the sets intended for the metering of FOD and (or) GO, use the special winter filter for the situation where waxing occurs in cold weather.

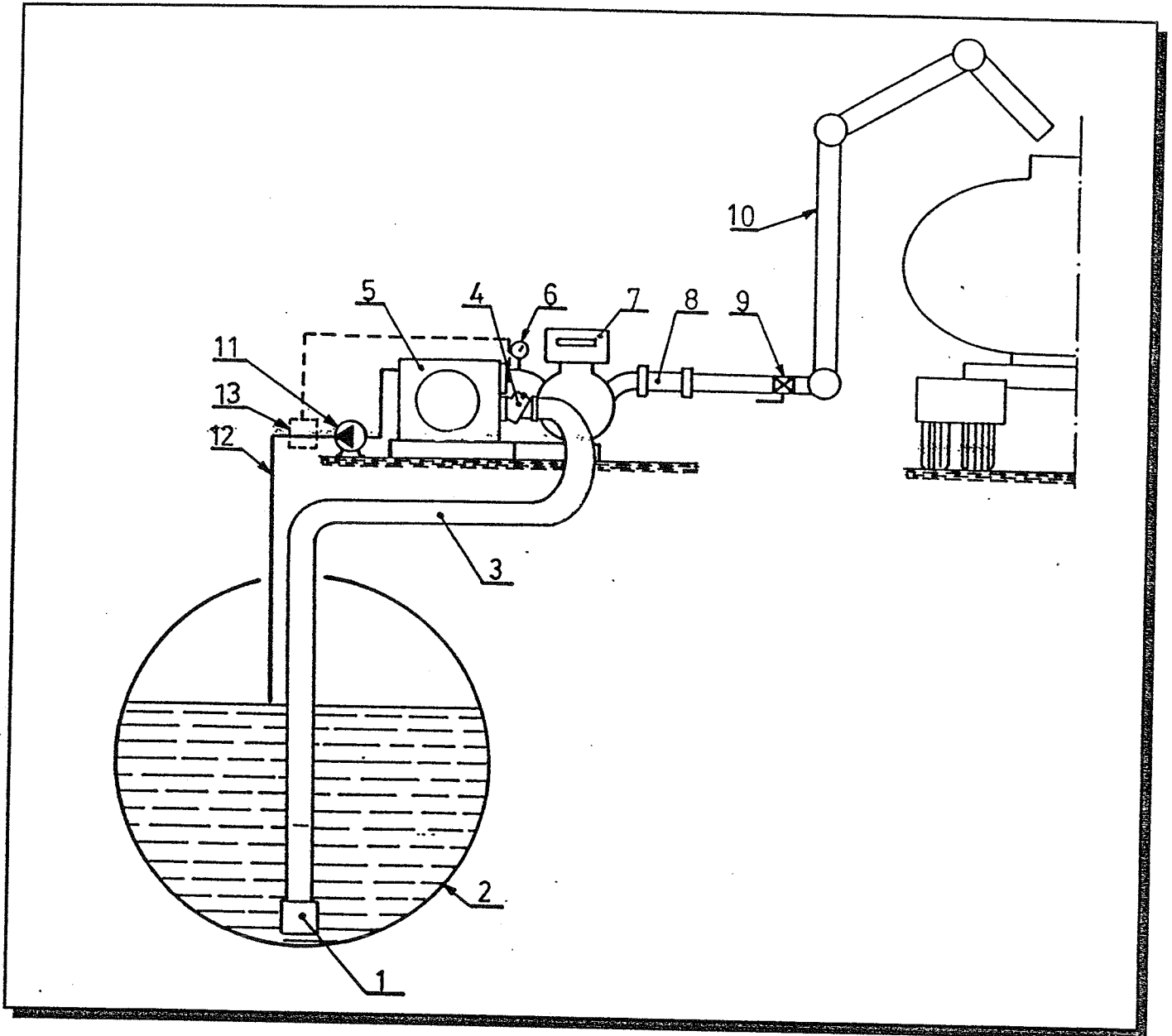
This filter can only be used for a short time.

It must be replaced by the fine filter as soon as the climatic conditions allow.

Inspection

The equipment is subject to periodic inspection by the DRIRE.

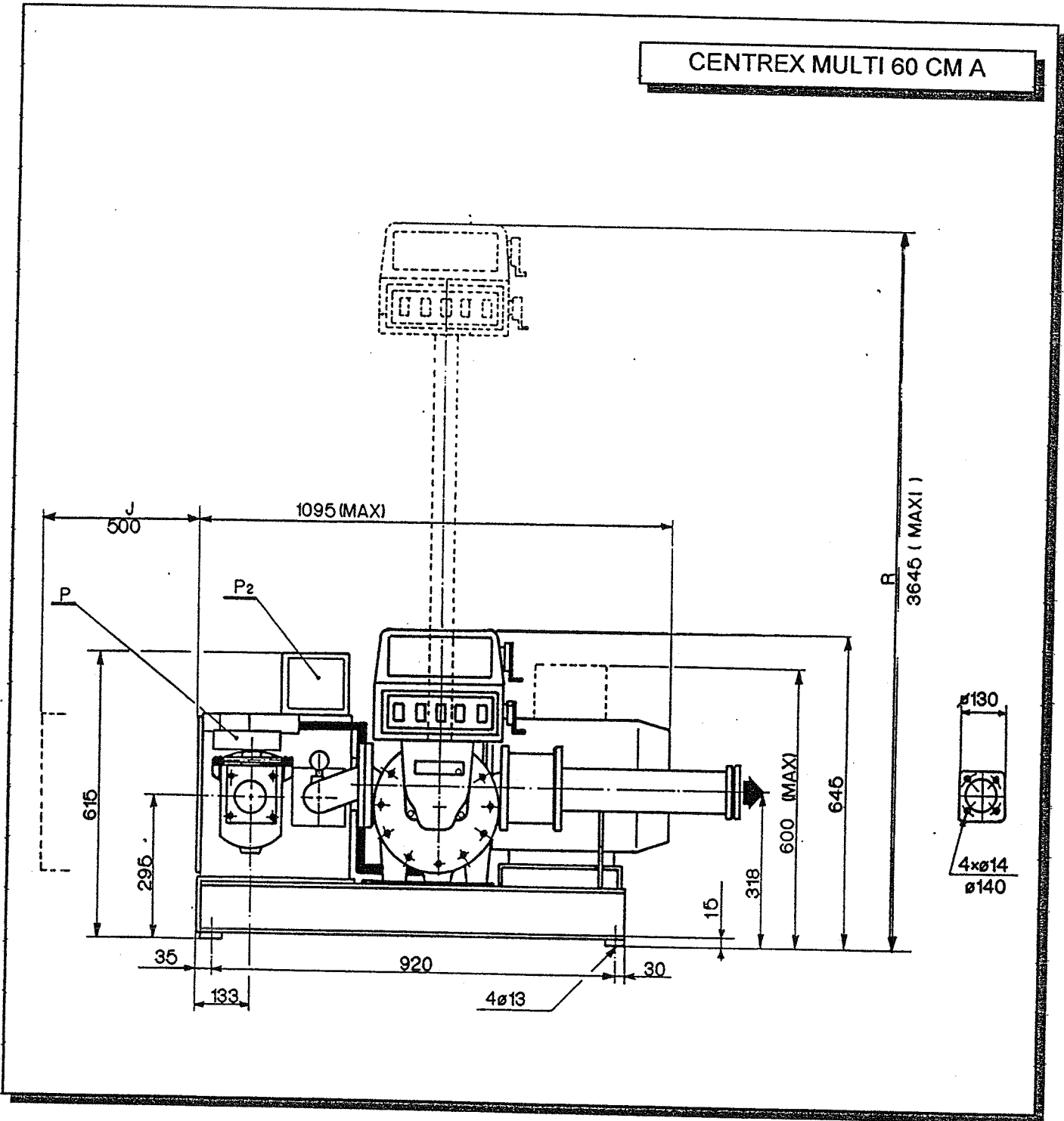
INSTALLATION



- | | | | |
|---|--------------------------|----|--|
| 1 | Foot-valve with strainer | 8 | Check valve |
| 2 | Underground tank | 9 | Pressure valve |
| 3 | Suction pipe | 10 | Approved loading arm for CM |
| 4 | Mouvex filter | 11 | Priming pump |
| 5 | Centrex pump | 12 | Priming pump delivery
(return version in storage tank) |
| 6 | Pressure gauge | 13 | Drain cock PU3 A2, valve (replaces
12 in return version of pump tank) |
| 7 | Approved counter | | |

OVERALL DIMENSIONS - mm

CENTREX MULTI 60 CM A

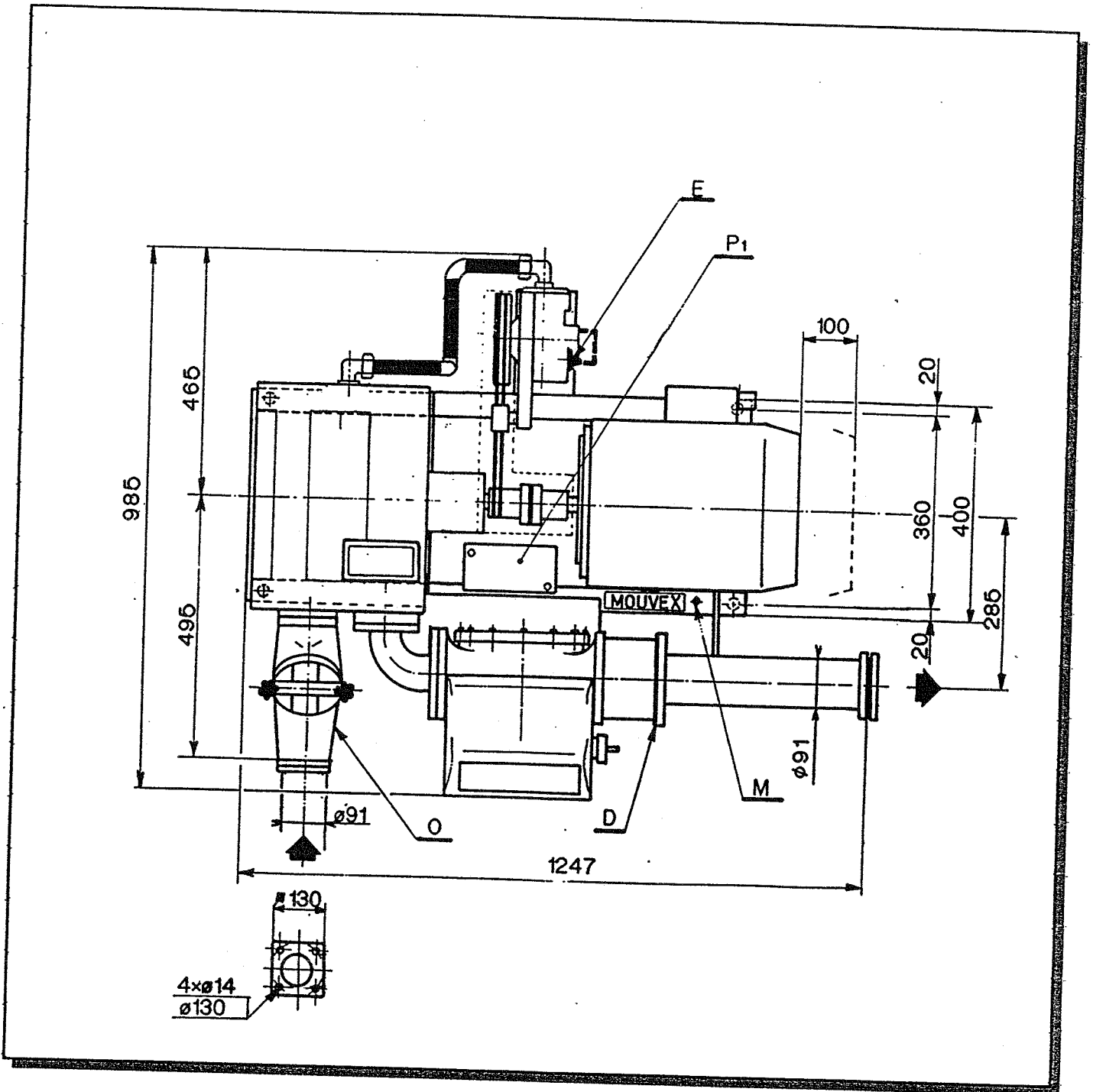


- J Release for dismantling
- P Pump rating plate
- R Clearance ledge 0.5 m to 3 m.

- P1 Identification and stamping plate
- P2 User's maintenance plate

OVERALL DIMENSIONS - mm

VENTING TO ATMOSPHERE AND
RETURN OF THE FOAM TO THE PUMP

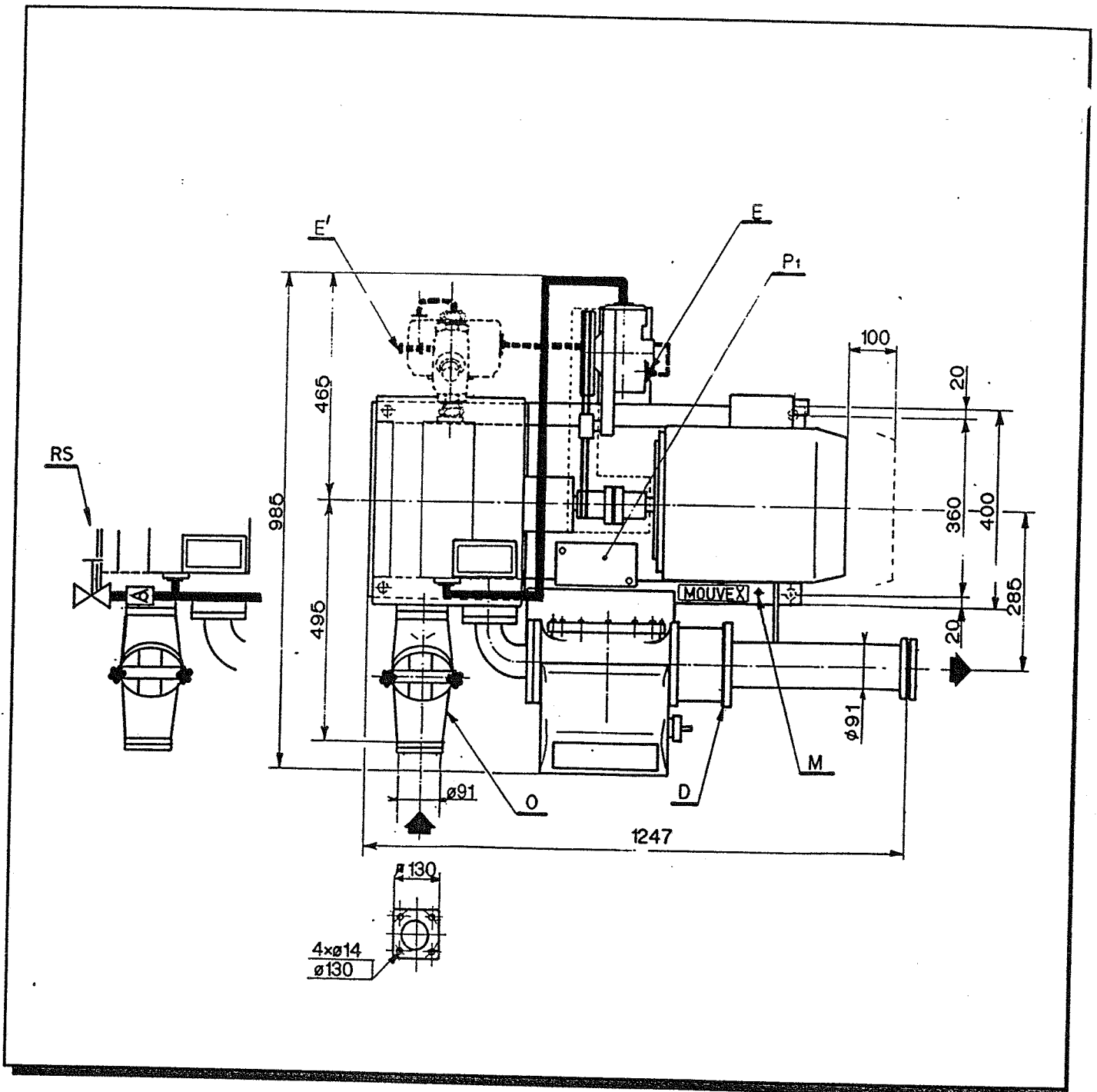


D Location of the diaphragm
E Cistern return without PU3 A
with 1" diam. diaphragm

O FA 5A filter
P1 Identification and stamping plate
M Earthing terminal

OVERALL DIMENSIONS - mm

VENTING TO ATMOSPHERE AND
RETURN OF THE FOAM TO THE STORAGE TANK



D Location of the diaphragm
E Cistern return without PU3 A
with 1" diam. diaphragm

O FA 5A filter
P1 Identification and stamping plate
M Earthing terminal