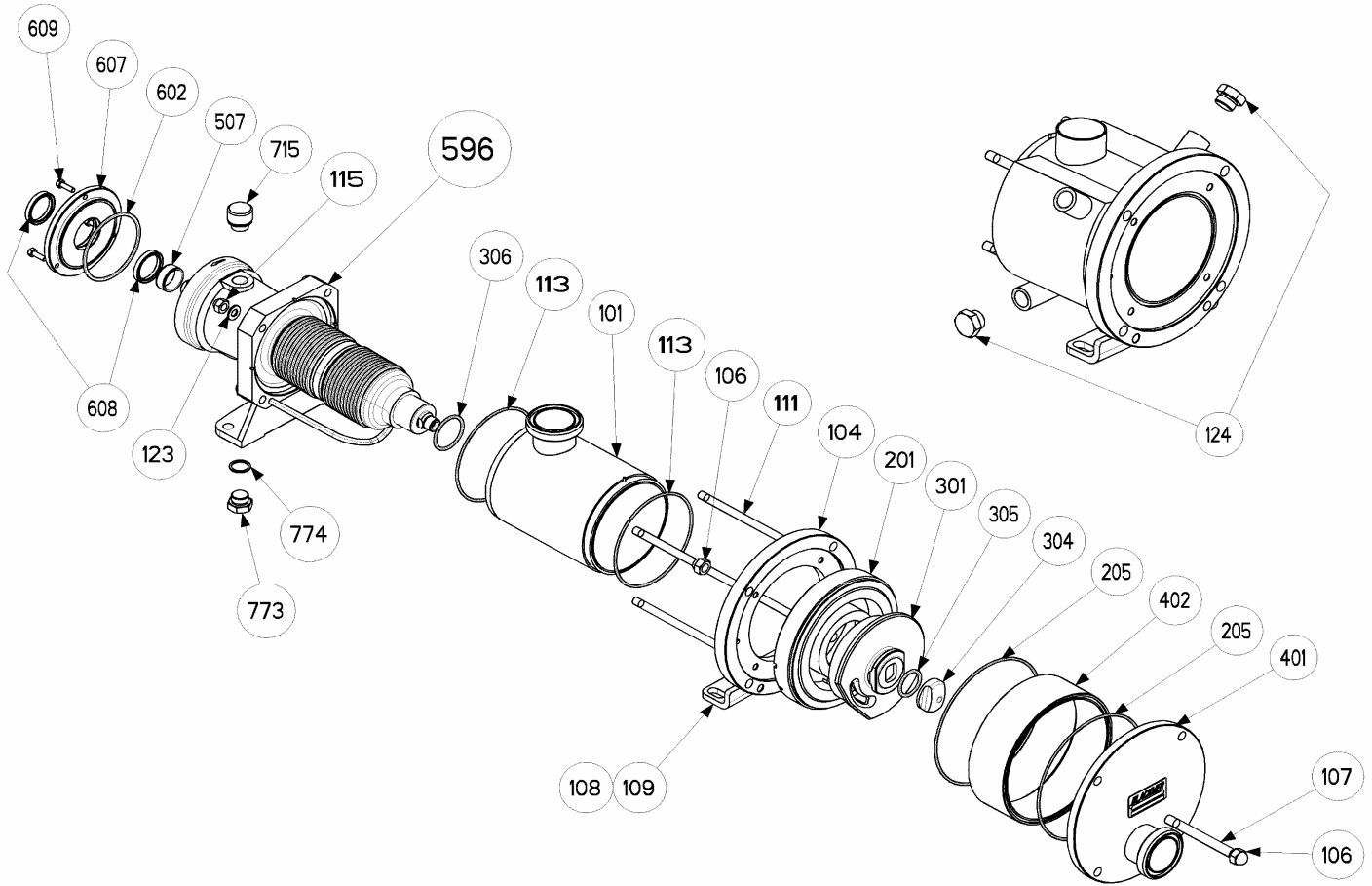


(See Instructions 1001-A00 for Installation, Operation and Maintenance)

Section	1001
Effective	October 2005
Replaces	July 2004



Reference			Description	Quantity		ARTICLE CODE		Wear parts
Ass.	Part	Available		Order	In Pump	C4 i	C8 i	
100		◆	Inlet Manifold PN16 DN50	1		311450.00		
100		◆	Inlet Manifold PN20 DN50	1		311725.00		
100		◆	Inlet Manifold SMS 51	1		311345.00		
100		◆	Inlet Manifold DIN 50	1		311645.00		
100		◆	Inlet Manifold CHERRY BURREL 51	1		311603.00		
100		◆	Inlet Manifold CLAMP ISO 51	1		311675.00		
100		◆	Inlet Manifold IDF 51	1		311647.00		
100		◆	Inlet Manifold Smooth Pipes	1		311649.00		
	101		Main body		(1)			
	104		Main body flange		(1)			
	108		Support foot		(1)			
	109		Screw		(2)			
	117		Pin		(2)			
	118		Pin		(1)			

(◆) Sets of parts or (▲) parts available to order

Reference			Description	Quantity		ARTICLE CODE		Wear parts
Ass.	Part	Available		Order	In Pump	C4 i	C8 i	
100		◆	Jacketed Inlet Manifold PN16 DN50	1		311846.00		
100		◆	Jacketed Inlet Manifold PN20 DN50	1		311852.00		
100		◆	Jacketed Inlet Manifold SMS 51	1		311845.00		
100		◆	Jacketed Inlet Manifold DIN 50	1		311850.00		
100		◆	Jacketed Inlet Manifold CHERRY BURREL 51	1		311847.00		
100		◆	Jacketed Inlet Manifold CLAMP ISO 51	1		311849.00		
100		◆	Jacketed Inlet Manifold IDF 51	1		311851.00		
100		◆	Jacketed Inlet Manifold Smooth Pipes	1		311848.00		
	101		Main body		(1)			
	104		Main body flange		(1)			
	108		Support foot		(1)			
	109		Screw		(2)			
	117		Pin		(2)			
	118		Pin		(1)			
	124		Plug		(2)			
119		◆	Set of studs and nuts	1		311443.00	311878.00	
	106		Blind nut		(8)			
	107		Stud		(4)			
	111		Stud		(4)			
	115		Blind nut		(4)			
	123		Washer		(4)			
200		◆	Set cylinder/Piston	1		311346.00	311877.00	•
	201		Cylinder		(1)			
	301		Piston		(1)			
	304	▲	Piston nut	1		216257	218572	
206		◆	Set of FKM 'O' ring seals	1		311347.00		•
206		◆	Set of CVT 'O' ring seals	1		311408.00		•
206		◆	Set of FKM lip seals ('L' rings) FDA	1		311737.00		•
206		◆	Set of L PTFE 'O' ring seals	1		311811.05		•
	113		Seal		(2)			
	205		Seal Ring		(2)			
	306		Seal		(1)			
	305		Seal		(1)			
400		◆	Front Cover Plate PN16 DN50	1		311448.00		
		◆	Front Cover Plate PN20 DN50	1		311727.00		
		◆	Front Cover Plate SMS 51	1		311344.00		
		◆	Front Cover Plate DIN 50	1		311638.00		
		◆	Front Cover Plate CHERRY BURREL 51	1		311605.00		
		◆	Front Cover Plate CLAMP ISO 51	1		311636.00		
		◆	Front Cover Plate IDF 51	1		311640.00		
		◆	Front Cover Plate Smooth pipes	1		311642.00		
	401		Front cover		(1)			
	402		Outlet tube		(1)			
596		◆	Complete transmission	1		311744.02		
596		◆	Complete transmission - Jacketed version	1		312306.02		
	009	◆	Bearing gaskets / screws	1		312356.02		
	507		Ring		(1)			
	602		Gasket		(1)			
	608		Lip seal		(2)			
	609		Bearing screws		(3)			
	008	◆	Plugs + gasket	1		311441.00		
	715		Breather		(1)			
	773		Drain plug		(1)			
	774		Copper-plated gasket		(1)			

CVT - FEP encapsulated FKM ; FDA : Food and Drug Administration

(◆) Sets of parts or (▲) parts available to order

Keep this parts lists with Installation, Operation and Maintenance Instructions

To order the required spare parts, indicate the appropriate CUM numbers



ZI la Plaine des Isles - 2 Rue des Caillottes 89000 AUXERRE - France 1809 Century Avenue, Grand Rapids, Michigan 49503-1530, U.S.A.

Tél. : +33 3.86.49.87.09 - Fax : +33 3.86.49.87.17

Telephone: (616) 241-1611 / Fax: (616) 241-3752

E-Mail : contact@blackmer.com / convex@blackmer.com Internet : www.blackmer.com / blackmer@blackmer.com / Internet : www.blackmer.com