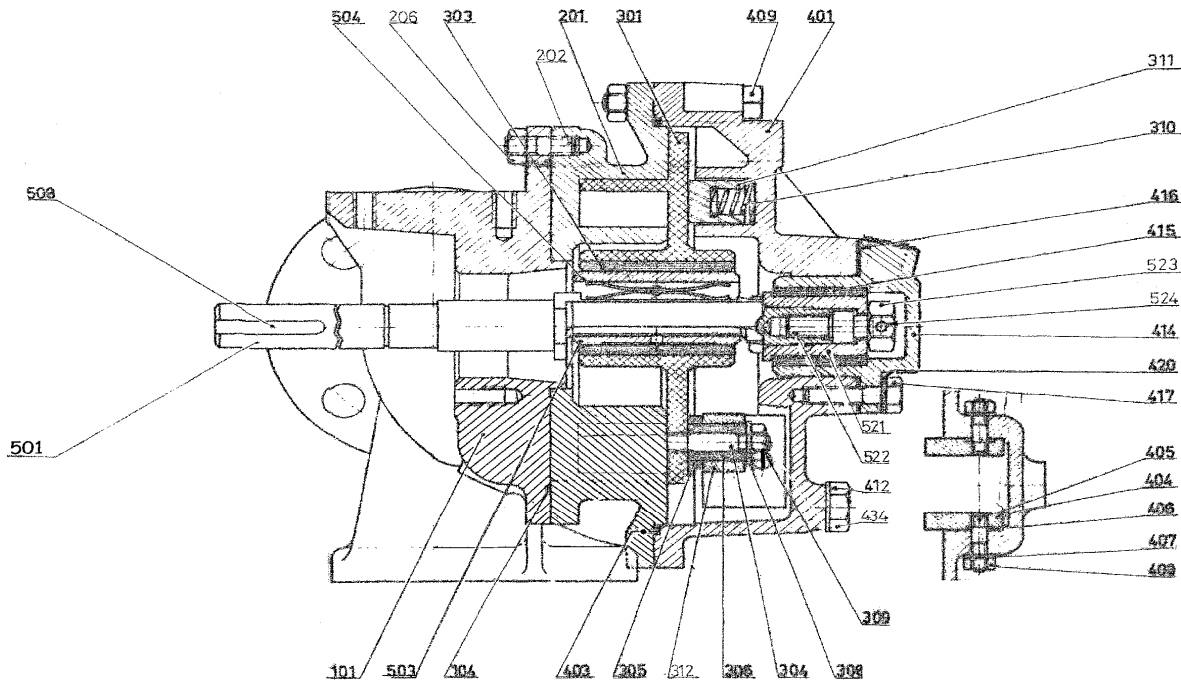


(See Instructions 1003-C00 for Installation, Operation and Maintenance)

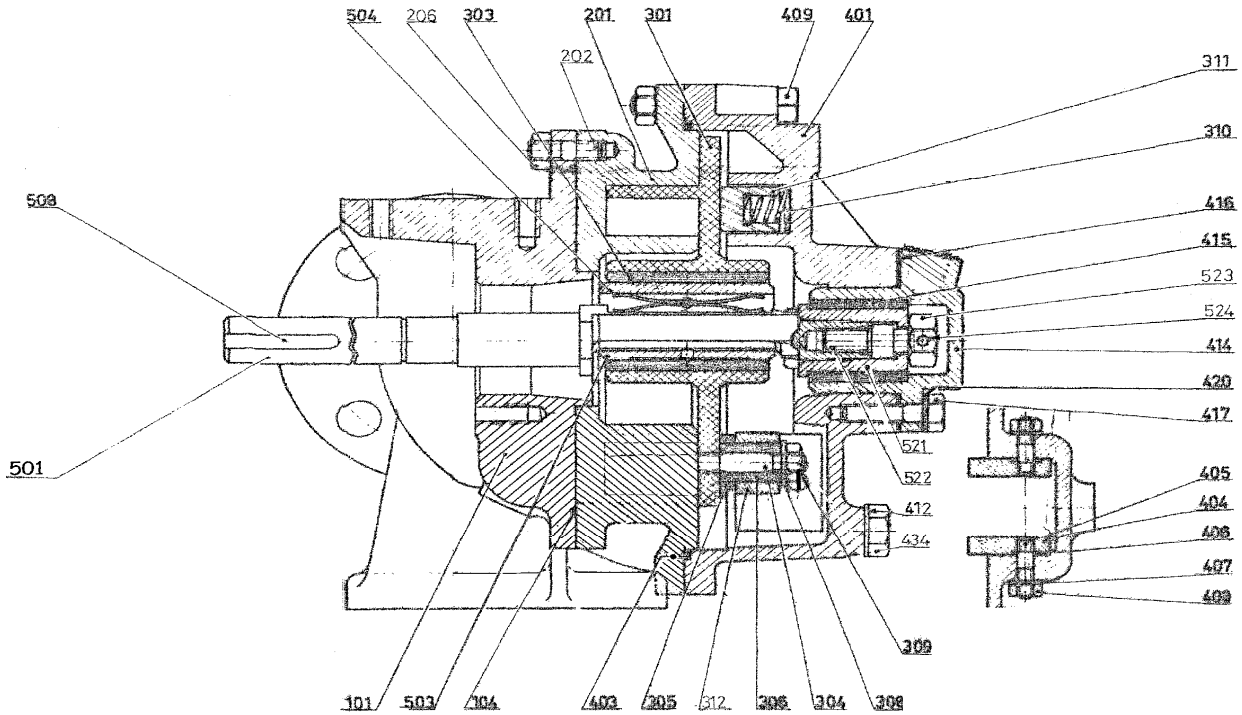
Section Effective	1003 June 2012
Replaces	November 2011



Reference			Description	Qty order / (in pump)	Article code		Kit/Part
Ass.	Part	Available			AF O	AF I	
98		◆	Full set of screws	1	300477.00		
	202		Stud	(8)			
	206		Nut	(8)			
	409		Screw	(6)			
	409a		Nut	(6)			
	417		Screw	(4)			
	420		Washer	(4)			
99		◆	Full set of seals - FKM	1	300488.00		
99		◆	Full set of seals - FKM (Heating jacket)	1	305184.00		
	104		Gasket	(1)			
	403	▲	Front cover seal	(1)			
	406		Seal	(2)			
	407A		Seal	(2)			
	416		Gasket	(1)			
	1002		Seal	(1)			
100		◆	Main body, complete	1	300445.00	300446.00	
	101		Main body	(1)			
	817	◆	Mounting kit	1	300447.00		
	813		Nut	(2)			
	814		Stud	(2)			
	815		Washer	(2)			
200		◆	Cylinder, complete	1	300448.01	300449.00	■ ●
	201		Cylinder	(1)			
	202		Stud	(8)			
	206		Nut	(8)			
300		◆	Complete piston - Bronze bushing	1	300451.00	300455.00	■ ●
300		◆	Complete piston - Carbon bushing	1	308079.00	307667.00	■ ●
300		◆	Complete piston (drilled) - Bronze bushing	1	310766.00	310770.00	■ ●
300		◆	Complete piston (drilled) - Carbon bushing	1	310767.00	310769.00	■ ●
	3010		Piston + Block pin	(1)			
	303	▲	Piston bushing (bronze)	1	201367		●
	303	▲	Piston bushing (carbon)	1	211653		●
	315		Screw (for drilled piston)	(1)			
	398	◆	Slide block, complete	1	300456.00	300457.01	
	304		Block pin	(1)			
	305		Abutment (construction O)	(1)			
	308		Washer	(1)			
	309		Nut	(1)			
	307	◆	Slide block + bushing	1	300459.00	300460.01	●
	306		Bushing	(1)			
	312		Slide block	(1)			
	313		Pin (construction I)	(1)			

■ Kit/Part for maintenance ● Wear parts

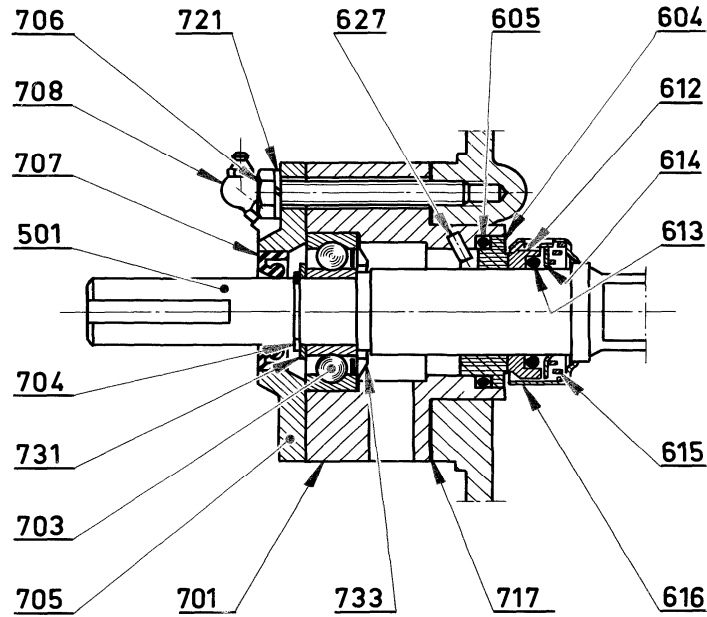
(◆) Sets of parts or (▲) parts available to order.



Reference			Description	Qty order / (in pump)	Article code		Kit/Part
Ass.	Part	Available			AF O	AF I	
399		◆	Guide block, complete	1	300462.00	300463.00	
	310		Spring	(3)			
	311		Piston rear spring seat	(3)			
400		◆	Complete front cover - FKM	1	300484.00	300485.00	
460		◆	Complete front cover with jacket	1	305181.00	305182.00	
	401		Front cover	(1)			
	461		Jacketed front cover	(1)			
	402	◆	Front bushing set - FKM	1	300486.00	300487.00	●
	402	◆	Front bushing set - FKM with jacket	1	300492.00	305183.00	●
	404		Guide	(2)			
	405		Stud	(2)			
	406		Seal	(2)			
	407		Washer	(2)			
	408		Nut	(2)			
	411	◆	Front cover drain plug + seal	1	300036.00	300037.00	
	412		Seal	(1)			
	434		Drain plug	(1)			
	403	▲	Front cover seal - FKM	1	200834		
413		◆	Front cover bearing complete - Bronze bushing	1	312633.00	312635.00	
413		◆	Front cover bearing complete - Carbon bushing	1	308080.00	308297.00	
	414		Front cover bearing	(1)			
	415	▲	Bearing bushing - Bronze	1	201388		●
	415	▲	Bearing bushing - Carbon	1	211654		●
	416		Gasket	(1)			
	417		Screw	(4)			
	420		Washer	(4)			
500		◆	Shaft Blocdir complete	1	300497.00	300498.00	
	501	▲	Shaft	1	219465	219466	
	503	▲	Piston bearing	1	203509	203510	●
	508	▲	Key	1	203854		
	504A	▲	Spring	1	201397		
	515	◆	Complete sleeve	1	300501.00	300502.00	●
	521		Sleeve	(1)			
	522		Screw	(1)			
	523		Nut	(1)			
	524		Pin	(1)			

■ Kit/Part for maintenance ● Wear parts

(◆) Sets of parts or (▲) parts available to order.



Reference			Description	Qty order / (in pump)	Article code		Kit/Part
Ass.	Part	Available			AF O	AF I	
600		◆	Mechanical seal - Bloccdir C/I VT	1	300373.00		●
600		◆	Mechanical seal - Bloccdir C/I CVT	1	307526.00		●
600		◆	Mechanical seal - Bloccdir HR VT	1	302946.00		●
600		◆	Mechanical seal - Bloccdir HR CVT	1	308198.00		●
	610		Stationary seal face complete - Bloccdir	(1)			
	604		Stationary seal face	(1)			
	605		Seal	(1)			
	697		Rotating part - Bloccdir	(1)			
	612		Seal housing	(1)			
	613		Seal	(1)			
	614		Spring guide	(1)			
	615		Spring	(1)			
	616		Cage	(1)			
	619		Seal mounting tool (for CVT)	(1)			
700		◆	Ball bearings complete	1	300503.00	300504.00	
	627	▲	Pin	1	200139		
	701		Bearing cage	(1)			
	703	▲	Ball bearing	1	212314		●
	705		Bearing cover	(1)			
	706		Screw	(4)			
	708		Grease nipple	(1)			
	721		Washer	(4)			
	797	◆	Ball bearing washers and gasket set	1	300505.00	300506.00	
	704		Ring	(1)			
	707		Lip seal	(1)			
	717		Cage seal	(1)			
	731		Washer	(2)			
	733		Protection circlip	(1)			

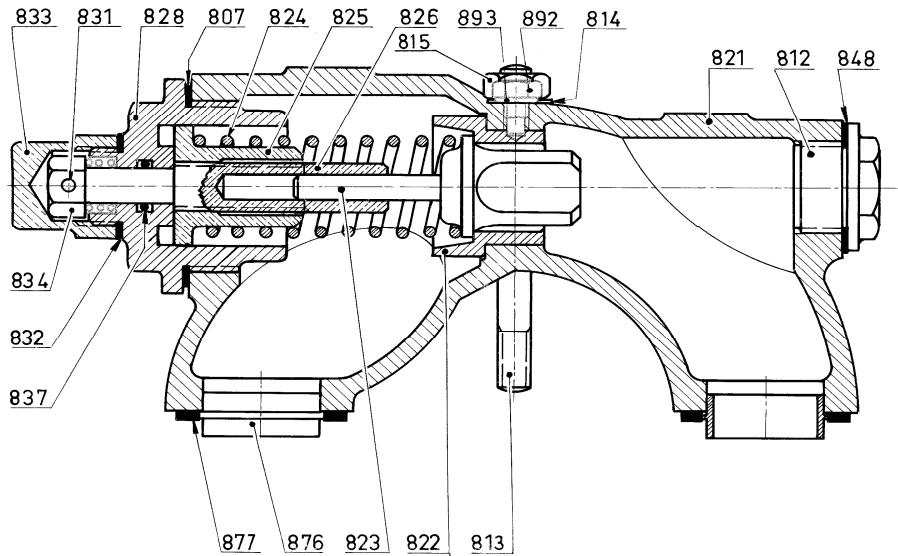
■ Kit/Part for maintenance ● Wear parts

CVT : FEP encapsulated FKM ; FDA : Food and Drug Administration (21 CFR 177 2600)

Mechanical seal :

C/I : Carbon/stainless - HR : Tungsten carbide/tungsten carbide

(◆) Sets of parts or (▲) parts available to order.



Reference			Description	Qty order / (in pump)	Article code		Kit/Part
Ass.	Part	Available			AF O	AF I	
820		◆	Bypass C/3 complete - FKM	1	302508.00	308581.00	
820		◆	Bypass C/4 complete - FKM	1	306232.00	308585.00	
	870	◆	Bypass body complete	1	300559.00	300560.00	
	812		Plug	(1)			
	821		Bypass body	(1)			
	848		Seal	(1)			
	871		Plug (construction I)	(2)			
	872		Seal (construction I)	(2)			
	824	▲	Spring n°3	1		201182	
	824	▲	Spring n°4	1		201183	
	868	◆	Seat (construction I)	1		300562.00	
	822		Seat	(1)			
	892		Screw	(1)			
	893		Seal	(1)			
	869	◆	Bypass cap and gasket	1		300541.00	
	832		Seal	(1)			
	833		Cap	(1)			
	878	◆	Centering set	1	300539.00	300540.00	
	876		Centering piece	(2)			
	877		Centering gasket	(2)			
	897	◆	Adjusting screw/valve set - FKM	1	302506.00	306997.00	●
	807		Seal	(1)			
	825		Spring guide	(1)			
	826		Adjusting screw	(1)			
	828		Nut	(1)			
	829		Spring	(1)			
	831		Pin	(1)			
	834		Adjustment nut	(1)			
	837		Seal	(1)			
	823	▲	Compensated valve	1		201447	
	899	◆	Bypass gasket set - FKM	1		303248.00	
	807		Seal	(1)			
	829		Spring	(1)			
	831		Pin	(1)			
	832		Seal	(1)			
	837		Seal	(1)			
	846		Seal	(1)			
	848		Seal	(1)			
	877		Centering gasket	(2)			

■ Kit/Part for maintenance ● Wear parts

(◆) Sets of parts or (▲) parts available to order.

Reference			Description	Qty order / (in pump)	Article code		Kit/Part
Ass.	Part	Available			AF O	AF I	
VARIATIONS							
			COMPLETE COMPENSATED DOUBLE BYPASS	The body is different to the standard compensated bypass. The other parts are the same but doubled			
820a		◆	Double bypass C/3 complete - FKM	1	306942.00	308597.00	
820a		◆	Double bypass C/4 complete - FKM	1	306945.00	306996.00	
	870a	◆	Double bypass body complete	1	300569.00	300570.00	
	821a		Double bypass body	(1)			
849		◆	Complete stirrup	1	301647.01		
	852		Stirrup	(1)			
	853		Stud or Screw	(2)			
	854		Plug	(2)			
	855		Seal	(2)			
To mount a bypass in place of a stirrup will require :							
	817	◆	Mounting kit	1	300447.00		
	813		Nut	(2)			
	814		Stud	(2)			
	815		Washer	(2)			

■ Kit/Part for maintenance ● Wear parts

(◆) Sets of parts or (▲) parts available to order.

Keep this parts lists with Installation, Operation and Maintenance Instructions.

CVT : FEP encapsulated FKM



Z.I. la Plaine des Isles - 2 rue des Caillottes F-89000 AUXERRE - FRANCE
 Tel : +33 (0)3 86 49 86 30 • Fax : +33 (0)3 86 49 87 17
 contact@mouvex.com • www.mouvex.com