

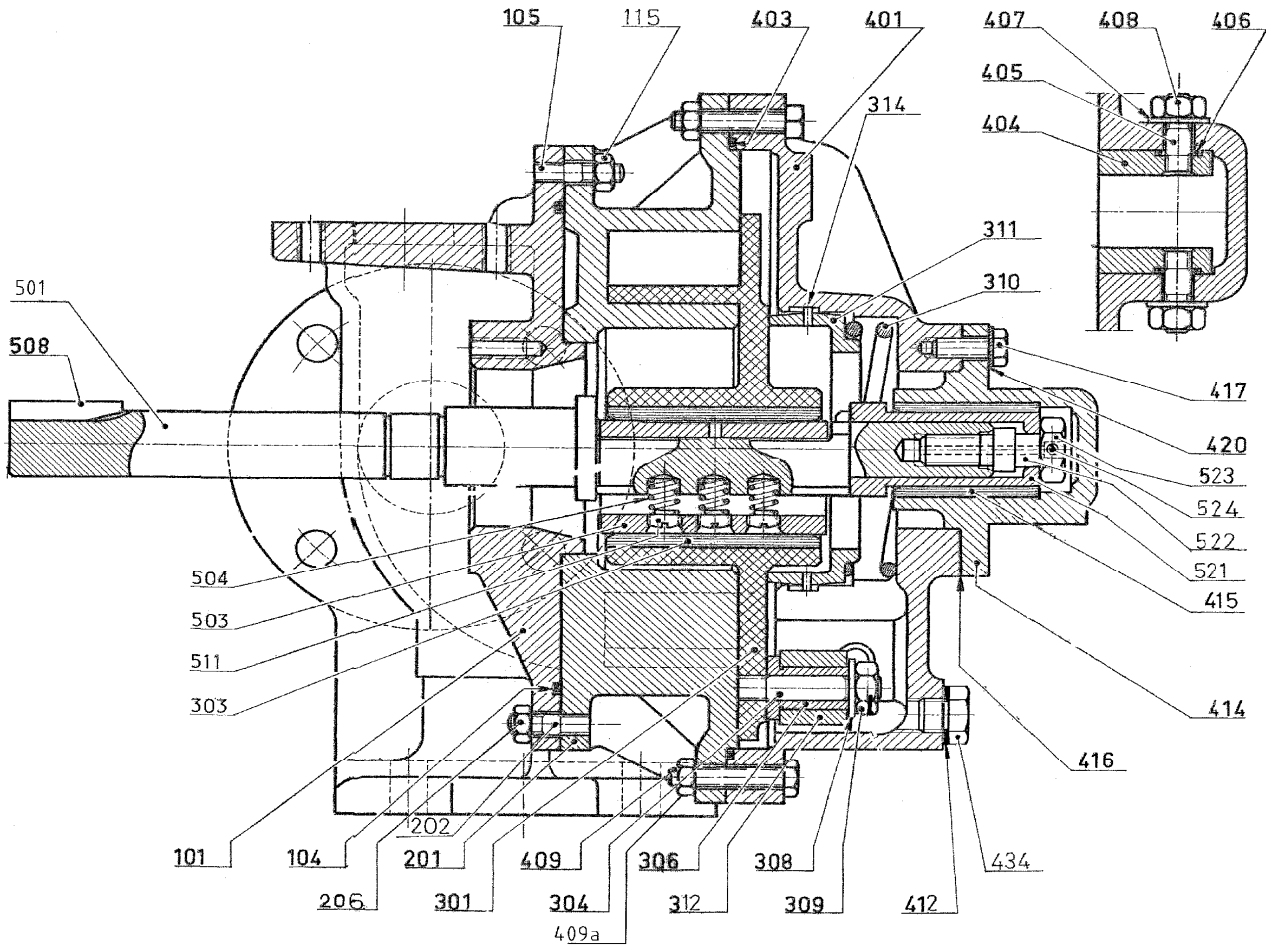
MOUVEX
MODEL :

PARTS LIST
AK O - AK I

P.L. : 1003-E01

(See Instructions 1003-E00 for Installation, Operation and Maintenance)

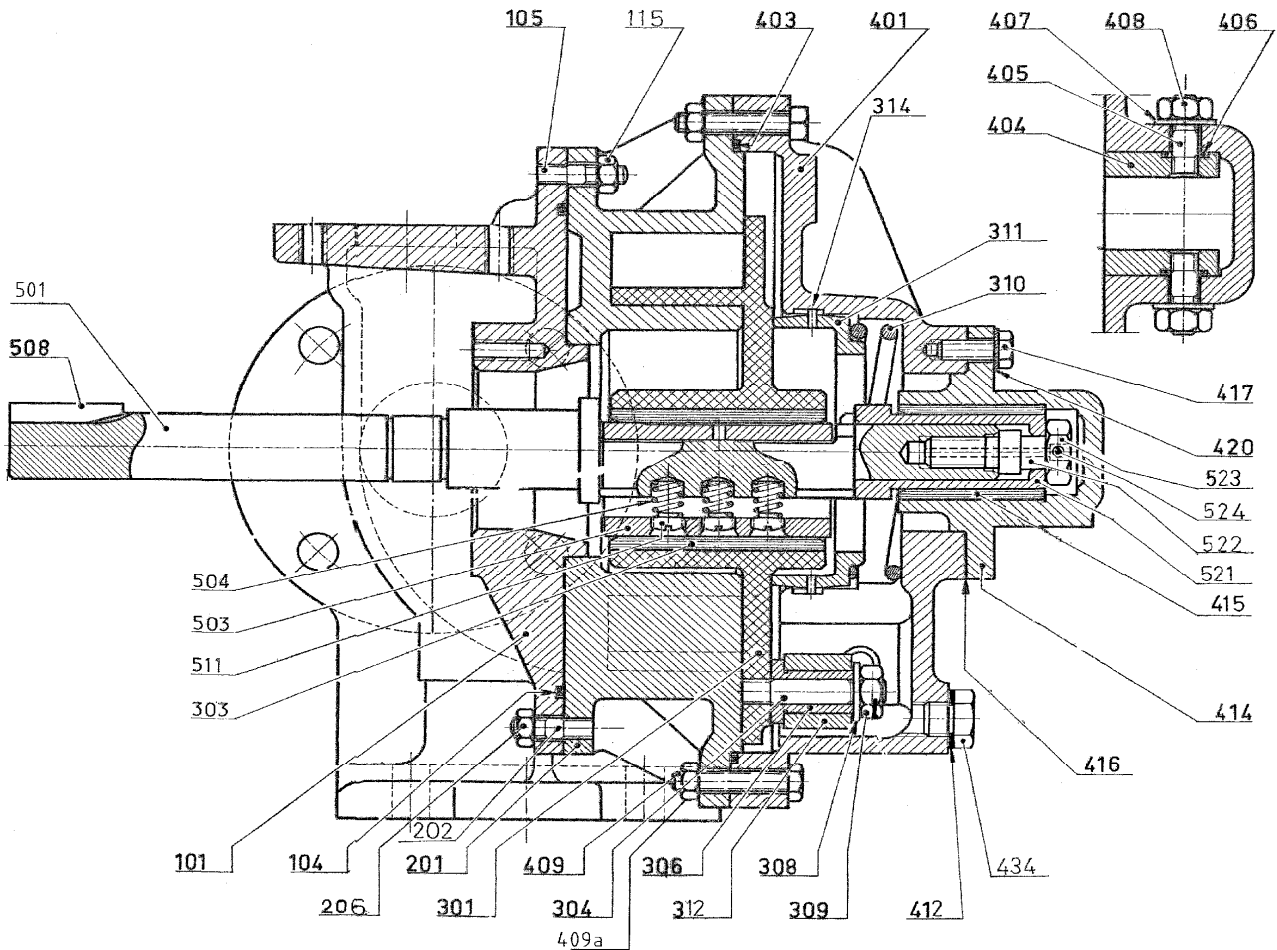
Section	1003
Effective	June 2012
Replaces	November 2011



Reference			Description	Qty order / (in pump)	Article code		Kit/Part
Ass.	Part	Available			AK O	AK I	
98		◆	Full set of screws	1	300007.00		
	105		Stud	(7)			
	115		Nut	(7)			
	202		Stud	(3)			
	206		Nut	(3)			
	409		Screw	(8)			
	409a		Nut	(8)			
	417		Screw	(4)			
	420		Washer	(4)			
99		◆	Full set of seals - FKM	1	300009.00		
99		◆	Full set of seals - FKM (Heating jacket)	1	304076.01		
	104		Gasket	(1)			
	403	▲	Front cover seal	1	200837		
	406		Seal	(2)			
	412		Seal	(1)			
	416		Gasket	(1)			

■ Kit/Part for maintenance • Wear parts

(◆) Sets of parts or (▲) parts available to order.



Reference			Description	Qty order / (in pump)	Article code		Kit/Part
Ass.	Part	Available			AK O	AK I	
100	101 105 115	◆	Main body, complete Main body Stud Nut	1 (1) (7) (7)	300000.00	300019.00	
200	201 202 206	◆	Cylinder, complete Cylinder Stud Nut	1 (1) (3) (3)	300001.01	300020.00	■ ●
300 300 300 300	3010 303 303 315	◆ ◆ ◆ ◆	Complete piston - Bronze bushing Complete piston - Carbon bushing Complete piston (drilled) - Bronze bushing Complete piston (drilled) - Carbon bushing	1 1 1 1	300002.00 307875.01 310773.01 310777.01	300029.00 308317.00 310774.00 310779.00	■ ● ■ ● ■ ● ■ ●
	3010 303 303 315	▲ ▲	Piston + Block pin Piston bushing (bronze) Piston bushing (carbon) Screw (for drilled piston)	(1) 1 1 (1)	219638 211655		● ●
	398 304 308 309 307 306 312 313	◆ ◆ ◆ ◆ ◆ ◆ ◆ ◆	Slide block, complete Block pin Washer Nut Slide block + bushing Bushing Slide block Pin (construction I)	1 (1) (1) (1) 1 (1) (1) (1)	300003.00 300122.00	300022.01 300123.01	● ●
399	310 311A 311B 314	◆	Guide block, complete Spring Piston rear spring seat Support for piston rear spring seat Insert for piston rear spring seat Pin	1 (1) (1) (1) (1) (2)	300004.00 -	300023.00 -	

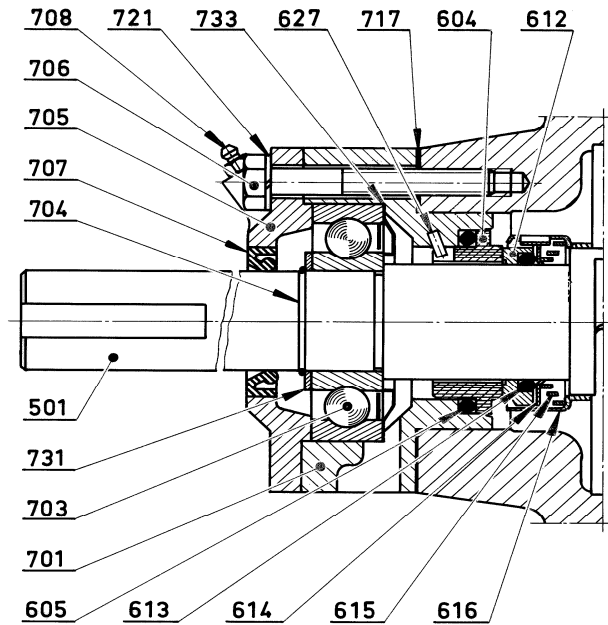
(◆) Sets of parts or (▲) parts available to order.

■ Kit/Part for maintenance ● Wear parts

Reference			Description	Qty order / (in pump)	Article code		Kit/Part
Ass.	Part	Available			AK O	AK I	
400		◆	Complete front cover - FKM	1	300136.00	300137.00	
460		◆	Complete front cover with jacket	1	304053.01	304054.00	
	401		Front cover	(1)			
	461		Jacketed front cover	(1)			
	462		Jacket drain plug	(2)			
	402	◆	Front bushing set - FKM	1	300010.00	300025.00	●
	402	◆	Front bushing set - Teflon encapsulated FKM	1	300016.04	304055.00	●
	404		Guide	(2)			
	405		Stud	(2)			
	406		Seal	(2)			
	407		Washer	(2)			
	408		Nut	(2)			
	411	◆	Front cover drain plug + seal	1	300036.00	300037.00	
	412		Seal	(1)			
	434		Drain plug	(1)			
	403	▲	Front cover seal - FKM	1	200837		
413		◆	Front cover bearing complete - Bronze bushing	1	300006.00	300032.00	
413		◆	Front cover bearing complete - Carbon bushing	1	308301.00	308300.00	
	414		Front cover bearing	(1)			
	415	▲	Bearing bushing - Bronze	1	201536		●
	415	▲	Bearing bushing - Carbon	1	211656		●
	416		Gasket	(1)			
	417		Screw	(4)			
	420		Washer	(4)			
500		◆	Shaft Blocdir complete	1	312272.01	312273.01	
	501	▲	Shaft	1	219467	219468	
	503	▲	Piston bearing	1	203567	203570	●
	508	▲	Key	1	203855		
	598	◆	Bearing spring complete	1	300144.00		
	504		Spring	(3)			
	511		Screw	(3)			
	515	◆	Complete sleeve	1	300145.00	300146.00	●
	521		Sleeve	(1)			
	522		Screw	(1)			
	523		Nut	(1)			
	524		Pin	(1)			

■ Kit/Part for maintenance ● Wear parts

(◆) Sets of parts or (▲) parts available to order.



Reference			Description	Qty order / (in pump)	Article code		Kit/Part
Ass.	Part	Available			AK O	AK I	
600		◆	Mechanical seal - Bloccdir C/I VT	1	300055.00		●
600		◆	Mechanical seal - Bloccdir C/I CVT	1	307539.01		●
600		◆	Mechanical seal - Bloccdir HR VT	1	304290.00		●
600		◆	Mechanical seal - Bloccdir HR CVT	1	308197.01		●
	610		Stationary seal face complete - Bloccdir	(1)			
	604		Stationary seal face	(1)			
	605		Seal	(1)			
	697		Rotating part - Bloccdir	(1)			
	612		Seal housing	(1)			
	613		Seal	(1)			
	614		Spring guide	(1)			
	615		Spring	(1)			
	616		Cage	(1)			
	619		Seal mounting tool (for CVT)	(1)			
700		◆	Ball bearings complete	1	300042.00	300048.00	
	627	▲	Pin	1	200139		
	701		Bearing cage	(1)			
	703	▲	Ball bearing	1	212312		●
	705		Bearing cover	(1)			
	706		Screw	(4)			
	708		Grease nipple	(1)			
	721		Washer	(4)			
	797	◆	Ball bearing washers and gasket set	1	300148.00	300149.00	
	704		Ring	(1)			
	707		Lip seal	(1)			
	717		Cage seal	(1)			
	731		Washer	(1)			
	733		Protection circlip	(1)			

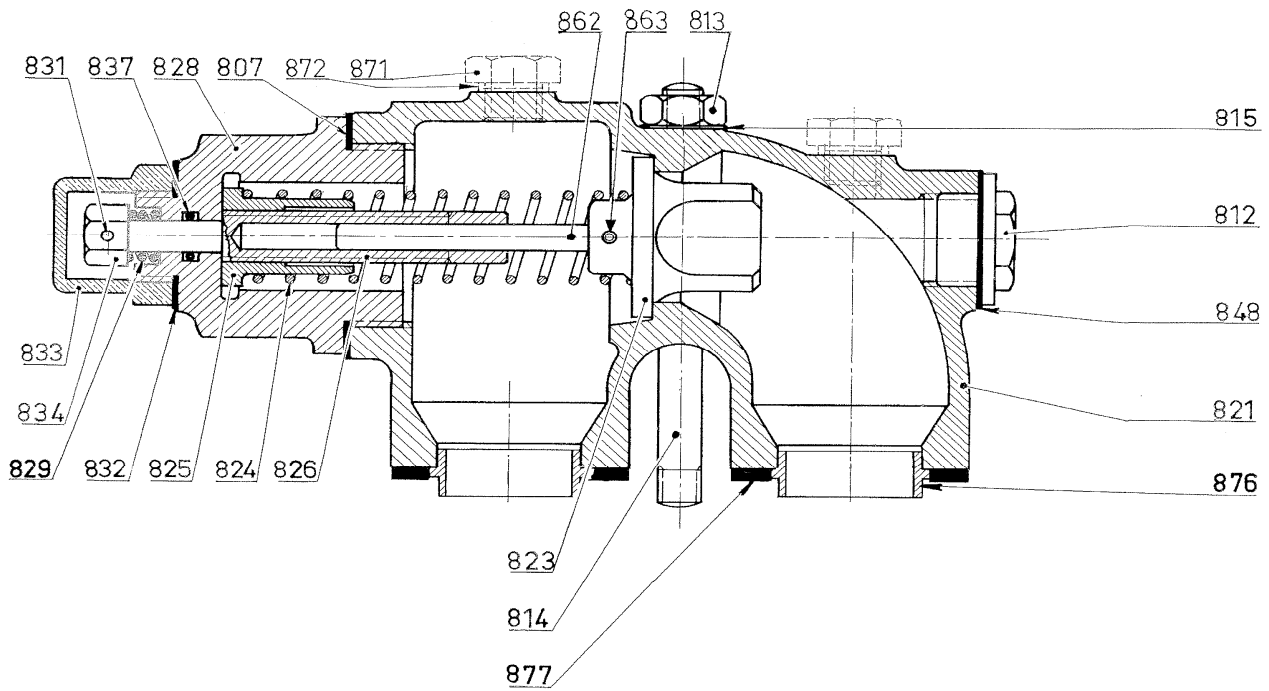
■ Kit/Part for maintenance ● Wear parts

CVT : FEP encapsulated FKM ; FDA : Food and Drug Administration (21 CFR 177 2600)

Mechanical seal :

C/I : Carbon/stainless - HR : Tungsten carbide/tungsten carbide

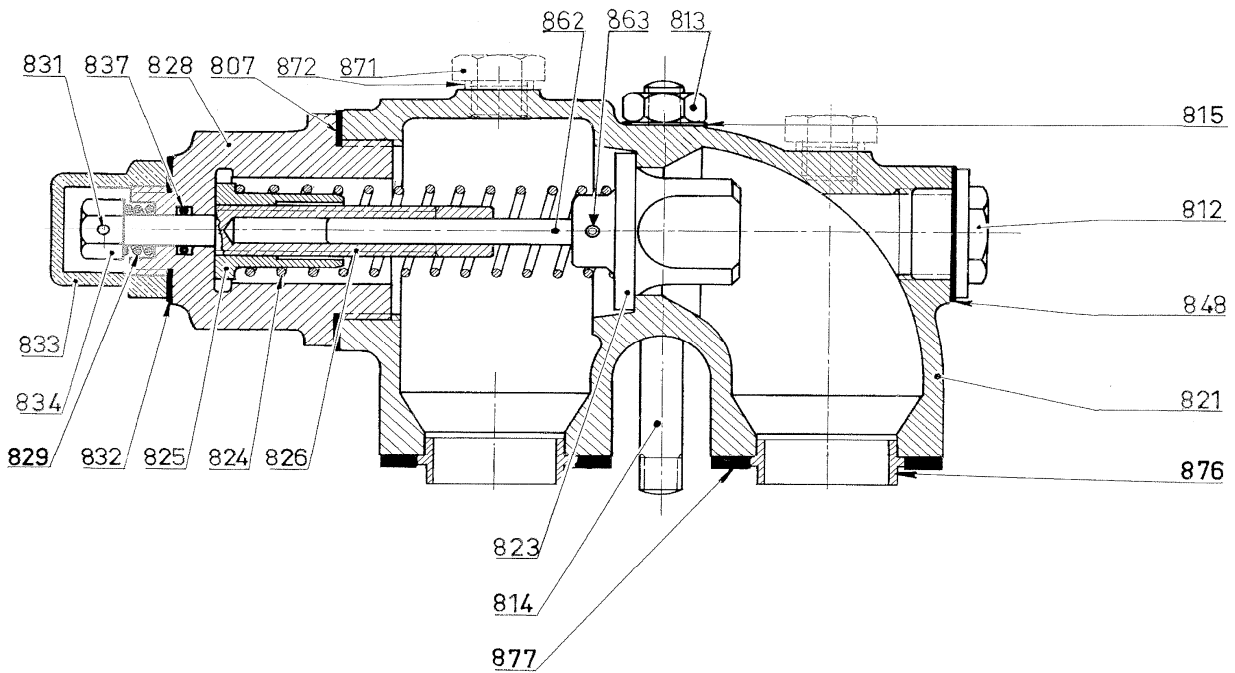
(◆) Sets of parts or (▲) parts available to order.



Reference			Description	Qty order / (in pump)	Article code		Kit/Part
Ass.	Part	Available			AK O	AK I	
820		◆	Bypass C/3 complete - FKM	1	306819.00	306856.00	
820		◆	Bypass C/5 complete - FKM	1	306825.00	-	
	870	◆	Bypass body complete	1	300180.00	301635.00	
	812		Plug	(1)			
	821		Bypass body	(1)			
	822		Seat (construction I)	(1)			
	848		Seal	(1)			
	871		Plug (constructios I)	(2)			
	872		Seal (construction I)	(2)			
	824	▲	Spring n°3	1		201190	
	869	◆	Bypass cap and gasket	1		300174.00	
	832		Seal	(1)			
	833		Cap	(1)			
	878	◆	Centering set	1		300173.00	
	876		Centering piece	(2)			
	877		Centering gasket	(2)			
	897	◆	Adjusting screw/valve set - FKM	1	306811.00	306842.00	●
	807		Seal	(1)			
	825		Spring guide	(1)			
	826		Adjusting screw	(1)			
	828		Nut	(1)			
	829		Spring	(1)			
	831		Pin	(1)			
	834		Adjustment nut	(1)			
	837		Seal	(1)			
	864	◆	Complete valve	1	300182.00	301636.00	
	864O		valve (823 + 862)	1			
	823		Compensated valve	(1)			
	862		Valve guide rod	(1)			
	863		Valve securing pin	(1)			
	899	◆	Bypass gasket set - FKM	1		301631.00	
	807		Seal	(1)			
	829		Spring	(1)			
	831		Pin	(1)			
	832		Seal	(1)			
	837		Seal	(2)			
	848		Seal	(1)			
	877		Centering gasket	(2)			

(◆) Sets of parts or (▲) parts available to order.

■ Kit/Part for maintenance ● Wear parts



Reference			Description	Qty order / (in pump)	Article code		Kit/Part
Ass.	Part	Available			AK O	AK I	
VARIATIONS							
			COMPLETE COMPENSATED DOUBLE BYPASS				
			The body is different to the standard compensated bypass. The other parts are the same but doubled				
820a		◆	Double bypass C/3 complete - FKM	1	306833.00	306870.00	
820a		◆	Double bypass C/3 complete - FKM	1	306839.00	-	
	870a	◆	Double bypass body complete	1	300183.00	302432.00	
	821a		Double bypass body	(1)			
849		◆	Complete stirrup	1	301633.01	301634.01	
	852		Stirrup	(1)			
	854		Plug	(2)			
	855		Seal	(2)			
To mount a bypass in place of a stirrup will require :							
	817	◆	Mounting kit	1	300121.00		
	813		Nut	(2)			
	814		Stud	(2)			
	815		Washer	(2)			

■ Kit/Part for maintenance ● Wear parts

(◆) Sets of parts or (▲) parts available to order.

Keep this parts lists with Installation, Operation and Maintenance Instructions.

CVT : FEP encapsulated FKM



Z.I. la Plaine des Isles - 2 rue des Caillottes F-89000 AUXERRE - FRANCE
 Tel : +33 (0)3 86 49 86 30 • Fax : +33 (0)3 86 49 87 17
 contact@mouvex.com • www.mouvex.com