

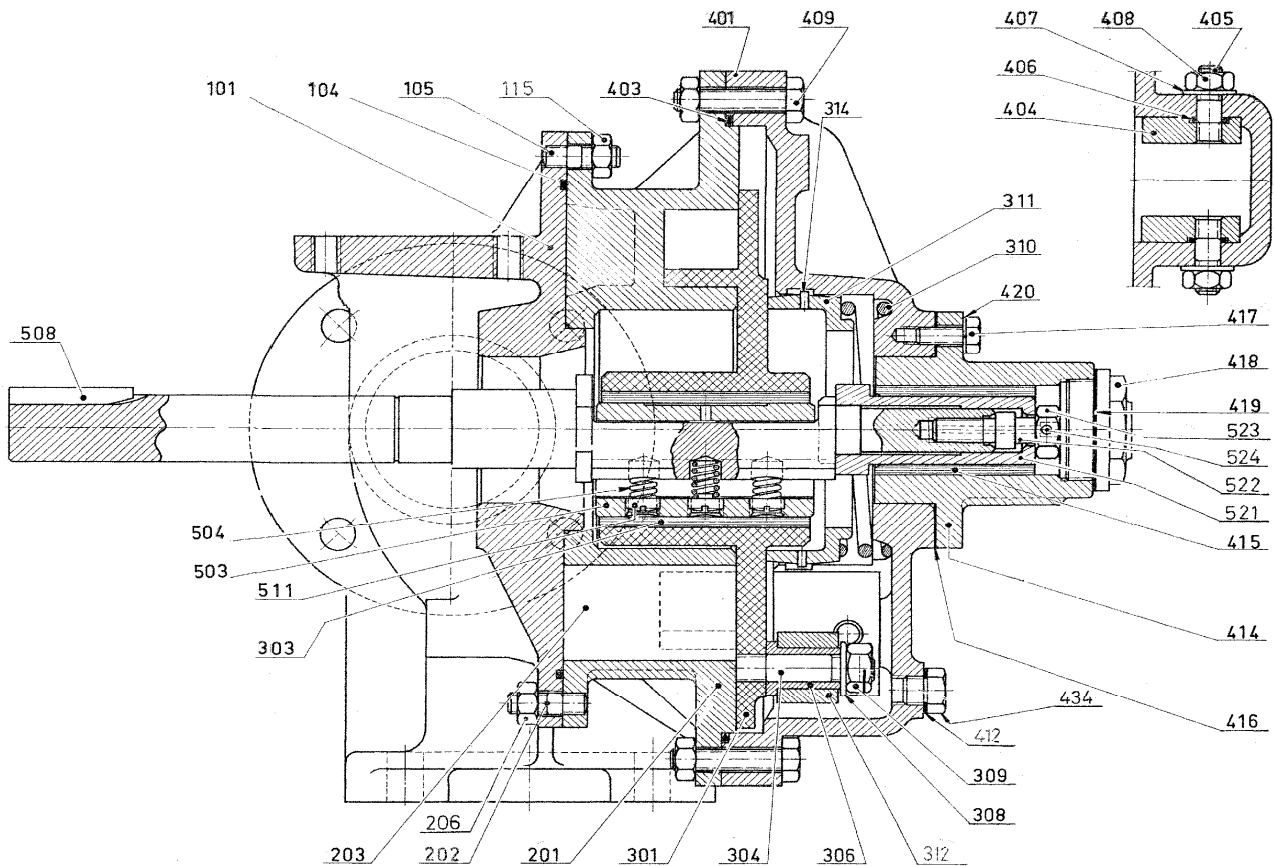
**MOUVEX**  
MODEL :

**PARTS LIST**  
**AL O HP**

P.L. : 1003-J01

(See Instructions **1003-J00** for Installation, Operation and Maintenance)

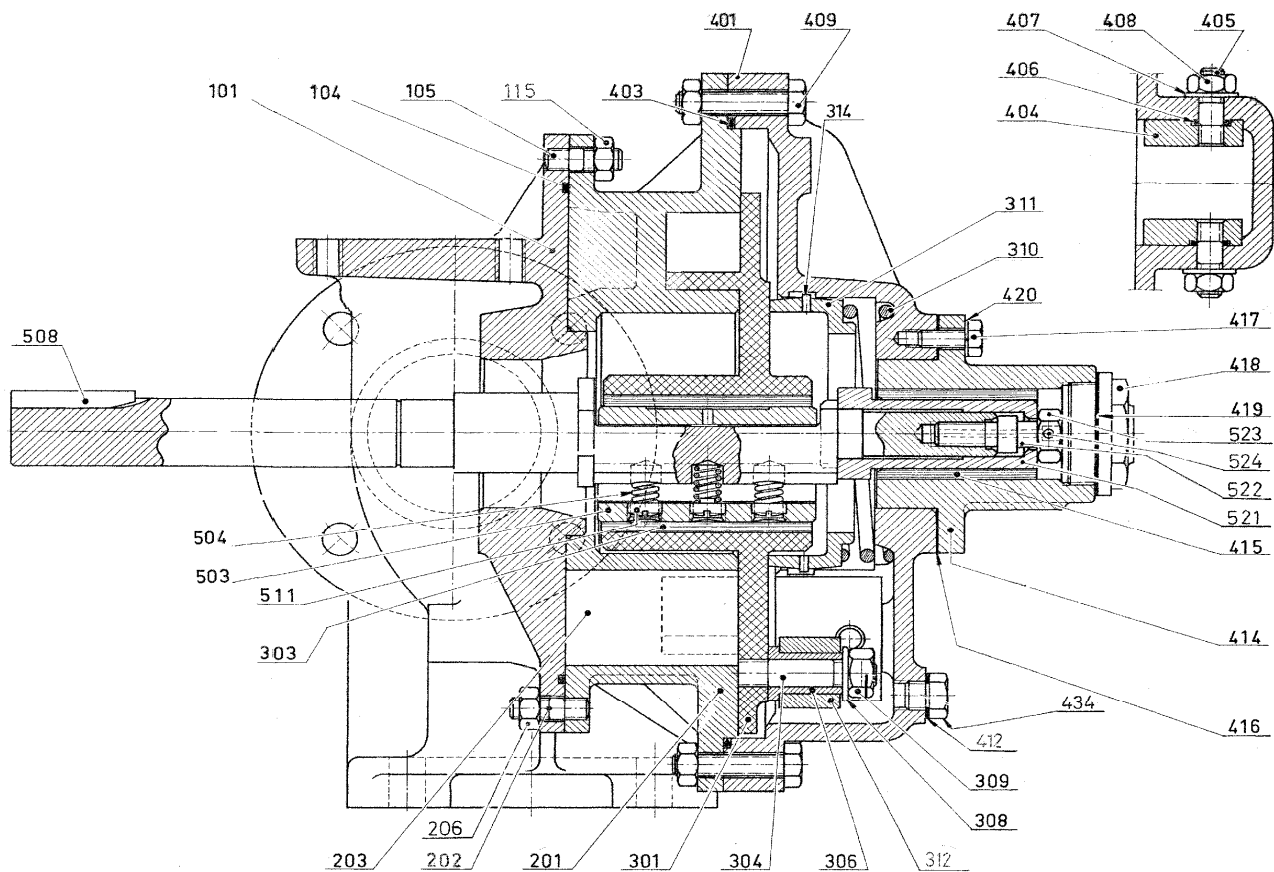
Section	1003
Effective	June 2012
Replaces	November 2011



Reference			Description	Qty order / (in pump)	Article code	
Ass.	Part	Available			AL O HP	Kit/Part
98		◆	<b>Full set of screws</b>	<b>1</b>	<b>300610.00</b>	
		105	Stud	(5)		
		115	Nut	(5)		
		202	Stud	(5)		
		206	Nut	(5)		
		409	Screw	(16)		
		409a	Nut	(16)		
		417	Screw	(4)		
	420	Washer	(4)			
99		◆	<b>Full set of seals - FKM</b>	<b>1</b>	<b>300601.00</b>	■
99		◆	<b>Full set of seals - FKM (Heating jacket)</b>	<b>1</b>	<b>304057.00</b>	■
	104		Gasket	(1)	200840	
	403	▲	Front cover seal	1		
	406		Seal	(2)		
	416		Gasket	(1)		
	419		Seal	(1)		
	1002		Seal	(1)		

■ Kit/Part for maintenance • Wear parts

(◆) Sets of parts or (▲) parts available to order.



Reference			Description	Qty order / (in pump)	Article code		
Ass.	Part	Available			AL O HP	Kit/Part	
100	101	◆	<b>Main body, complete</b> Main body	1 (1)	300591.00		
	105		Stud	(5)			
	115		Nut	(5)			
	817	◆	<b>Mounting kit</b>	1			300693.00
	813		Nut	(2)			
	814		Stud	(2)			
	815		Washer	(2)			
200	201	◆	<b>Cylinder, complete</b> Cylinder	1 (1)	301747.00	■ ●	
	202		Stud	(5)			
	203		Bulkhead	(1)			
	206		Nut	(5)			
300		◆	<b>Complete piston - Bronze bushing</b>	1	301748.00	■ ●	
300		◆	<b>Complete piston - Carbon bushing</b>	1	309176.00	■ ●	
300		◆	<b>Complete piston (drilled) - Bronze bushing</b>	1	311182.00	■ ●	
300		◆	<b>Complete piston (drilled) - Carbon bushing</b>	1	311191.00	■ ●	
	3010		Piston + Block pin	(1)			
	303	▲	Piston bushing (bronze)	1	203595	■ ●	
	303	▲	Piston bushing (carbon)	1	211657	■ ●	
	315		Screw (for drilled piston)	(1)			
	398	◆	<b>Slide block, complete</b>	1	300594.00		
	304		Block pin	(1)			
	308		Washer	(1)			
	309		Nut	(1)			
	307	◆	<b>Slide block + bushing</b>	1	300694.00	●	
	306		Bushing	(1)			
	312		Slide block	(1)			
399	310	◆	<b>Guide block, complete</b> Spring	1 (1)	300595.00		
	311		Piston rear spring seat	(1)			
	314		Pin	(2)			

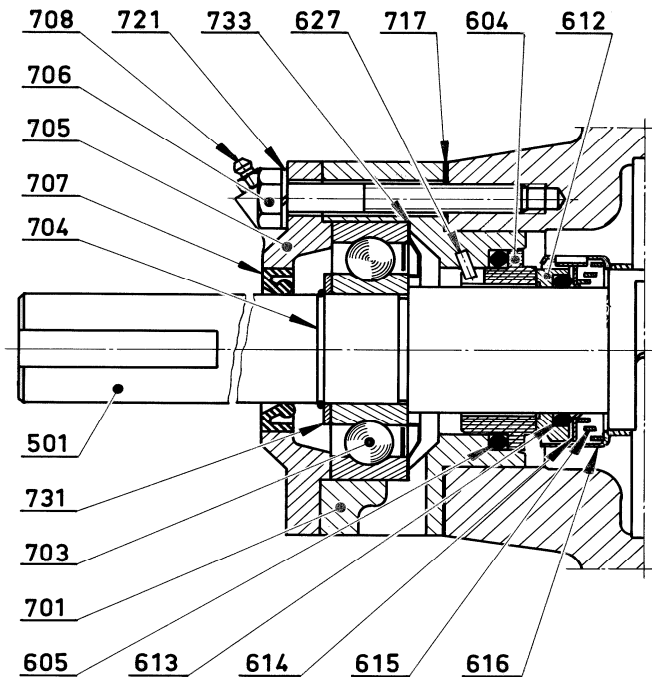
■ Kit/Part for maintenance ● Wear parts

(◆) Sets of parts or (▲) parts available to order.

Reference			Description	Qty order / (in pump)	Article code	Kit/Part
Ass.	Part	Available			AL O HP	
400		◆	<b>Complete front cover - FKM</b>	1	301751.00	
460		◆	<b>Complete front cover with jacket</b>	1	311407.01	
	401		Front cover	(1)		
	461		Jacketed front cover	(1)		
	462		Jacket drain plug	(2)		
	402	◆	Front bushing set - FKM	1	300603.00	●
	402	◆	Front bushing set - Teflon encapsulated FKM	1	300608.04	●
	404		Guide	(2)		
	405		Stud	(2)		
	406		Seal	(2)		
	407		Washer	(2)		
	408		Nut	(2)		
	411	◆	Front cover drain plug + seal	1	300036.00	
	412		Seal	(1)		
	434		Drain plug	(1)		
	403	▲	Front cover seal - FKM	1	200840	
413		◆	<b>Front cover bearing complete - Bronze bushing</b>	1	300597.00	
413		◆	<b>Front cover bearing complete - Carbon bushing</b>	1	307654.00	
	414		Front cover bearing	(1)		
	415	▲	Bearing bushing - Bronze	1	201615	■ ●
	415	▲	Bearing bushing - Carbon	1	211658	■ ●
	416		Gasket	(1)		
	417		Screw	(4)		
	418		Plug	(1)		
	419		Seal	(1)		
	420		Washer	(4)		
500		◆	<b>Shaft Blocdir complete</b>	1	312274.00	
	501	▲	Shaft	1	219469	
	503	▲	Piston bearing	1	203600	●
	508	▲	Key	1	211035	
	598	◆	Bearing spring complete	1	300598.00	
	504		Spring	(3)		
	511		Screw	(3)		
	515	◆	Complete sleeve	1	300716.00	●
	521		Sleeve	(1)		
	522		Screw	(1)		
	523		Nut	(1)		
	524		Pin	(1)		

■ Kit/Part for maintenance ● Wear parts

(◆) Sets of parts or (▲) parts available to order.



Reference			Description	Qty order / (in pump)	Article code	Kit/Part
Ass.	Part	Available			AL O HP	
600		◆	Mechanical seal - Bloccdir C/I VT	1	300639.00	■ ●
600		◆	Mechanical seal - Bloccdir C/I CVT	1	307549.00	■ ●
600		◆	Mechanical seal - Bloccdir HR VT	1	303333.00	■ ●
600		◆	Mechanical seal - Bloccdir HR CVT	1	307550.00	■ ●
	610		Stationary seal face complete - Bloccdir	(1)		
	604		Stationary seal face	(1)		
	605		Seal	(1)		
	697		Rotating part - Bloccdir	(1)		
	612		Seal housing	(1)		
	613		Seal	(1)		
	614		Spring guide	(1)		
	615		Spring	(1)		
	616		Cage	(1)		
	619		Seal mounting tool (for CVT)	(1)		
700		◆	Ball bearings complete	1	300631.00	
	627	▲	Pin	1	200139	
	701		Bearing cage	(1)		
	703	▲	Ball bearing	1	200555	●
	705		Bearing cover	(1)		
	706		Screw	(4)		
	708		Grease nipple	(1)		
	721		Washer	(4)		
	797	◆	Ball bearing washers and gasket set	1	300719.00	
	704		Ring	(1)		
	707		Lip seal	(1)		
	717		Cage seal	(1)		
	731		Washer	(1)		
	733		Protection circlip	(1)		

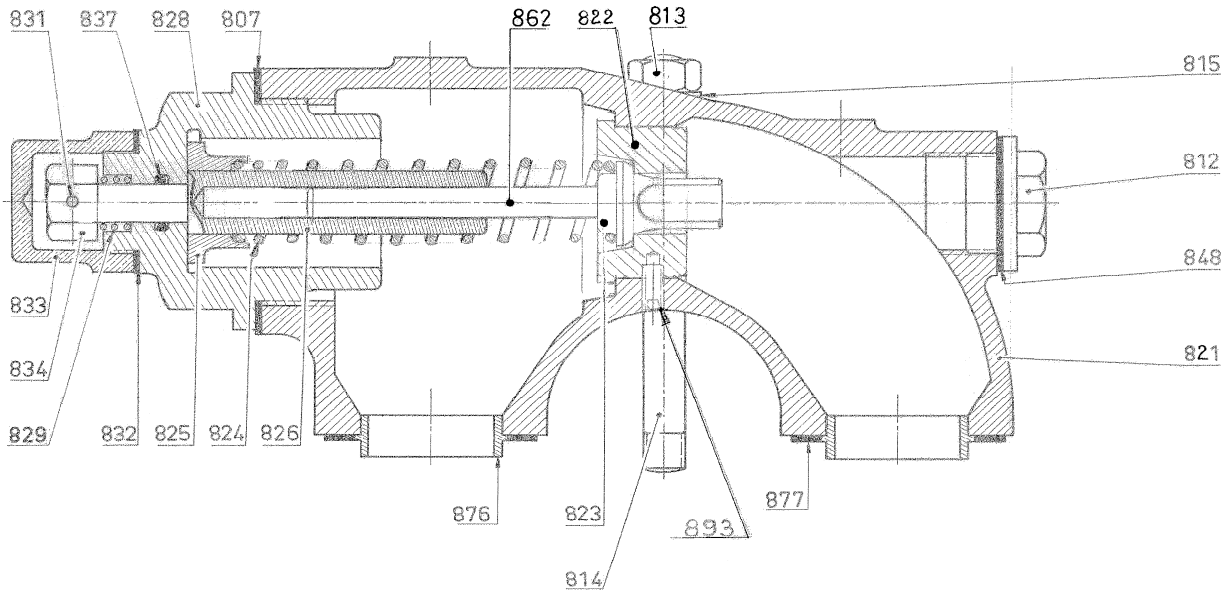
■ Kit/Part for maintenance ● Wear parts

CVT : FEP encapsulated FKM ; FDA : Food and Drug Administration (21 CFR 177 2600)

**Mechanical seal :**

C/I : Carbon/stainless - HR : Tungsten carbide/tungsten carbide

(◆) Sets of parts or (▲) parts available to order.



Reference			Description	Qty order / (in pump)	Article code	Kit/Part
Ass.	Part	Available			AL O HP	
820		◆	<b>Bypass C/2 complete - FKM</b>	1	306248.00	
820		◆	<b>Bypass C/3 complete - FKM</b>	1	306253.00	
	870	◆	Bypass body complete	1	301759.00	
	812		Plug	(1)		
	821		Bypass body	(1)		
	848		Seal	(1)		
	824	▲	Spring n°2	1	201189	
	824	▲	Spring n°3	1	201190	
	868	◆	Seat complete (construction I)	1	301760.00	
	822		Seat	(1)		
	892		Screw	(1)		
	869	◆	Bypass cap and gasket	1	300740.00	
	832		Seal	(1)		
	833		Cap	(1)		
	878	◆	Centering set	1	300739.00	
	876		Centering piece	(2)		
	877		Centering gasket	(2)		
	897	◆	Adjusting screw/valve set - FKM	1	306246.00	●
	807		Seal	(1)		
	825		Spring guide	(1)		
	826		Adjusting screw	(1)		
	828		Nut	(1)		
	829		Spring	(1)		
	831		Pin	(1)		
	834		Adjustment nut	(1)		
	837		Seal	(1)		
	864	▲	Valve	1	225721	
	899	◆	Bypass gasket set - FKM	1	300664.00	■
	807		Seal	(1)		
	829		Spring	(1)		
	831		Pin	(1)		
	832		Seal	(1)		
	837		Seal	(1)		
	846		Seal	(1)		
	848		Seal	(1)		
	877		Centering gasket	(2)		

■ Kit/Part for maintenance ● Wear parts

(◆) Sets of parts or (▲) parts available to order.

Reference			Description	Qty order / (in pump)	Article code	Kit/Part
Ass.	Part	Available			AL O HP	
<b>VARIATIONS</b>						
<b>COMPLETE COMPENSATED DOUBLE BYPASS</b>						
The body is different to the standard compensated bypass. The other parts are the same but doubled						
<b>820a</b>		◆	<b>Double bypass C/2 complete - FKM</b>	<b>1</b>	<b>306250.00</b>	
<b>820a</b>		◆	<b>Double bypass C/3 complete - FKM</b>	<b>1</b>	<b>306256.00</b>	
	870a	◆	Double bypass body complete	1	301763.00	
	821a		Double bypass body	(1)		
<b>849</b>		◆	<b>Complete stirrup</b>	<b>1</b>	<b>301649.01</b>	
	852		Stirrup	(1)		
	853		Stud	(2)		
	854		Plug	(2)		
	855		Seal	(2)		
To mount a bypass in place of a stirrup will require :						
	817	◆	Mounting kit	1	300693.00	
	813		Nut	(2)		
	814		Stud	(2)		
	815		Washer	(2)		

■ Kit/Part for maintenance • Wear parts

(◆) Sets of parts or (▲) parts available to order.

Keep this parts lists with Installation, Operation and Maintenance Instructions.

CVT : FEP encapsulated FKM



Z.I. la Plaine des Isles - 2 rue des Caillottes F-89000 AUXERRE - FRANCE  
 Tel : +33 (0)3 86 49 86 30 • Fax : +33 (0)3 86 49 87 17  
 contact@mouvex.com • www.mouvex.com