

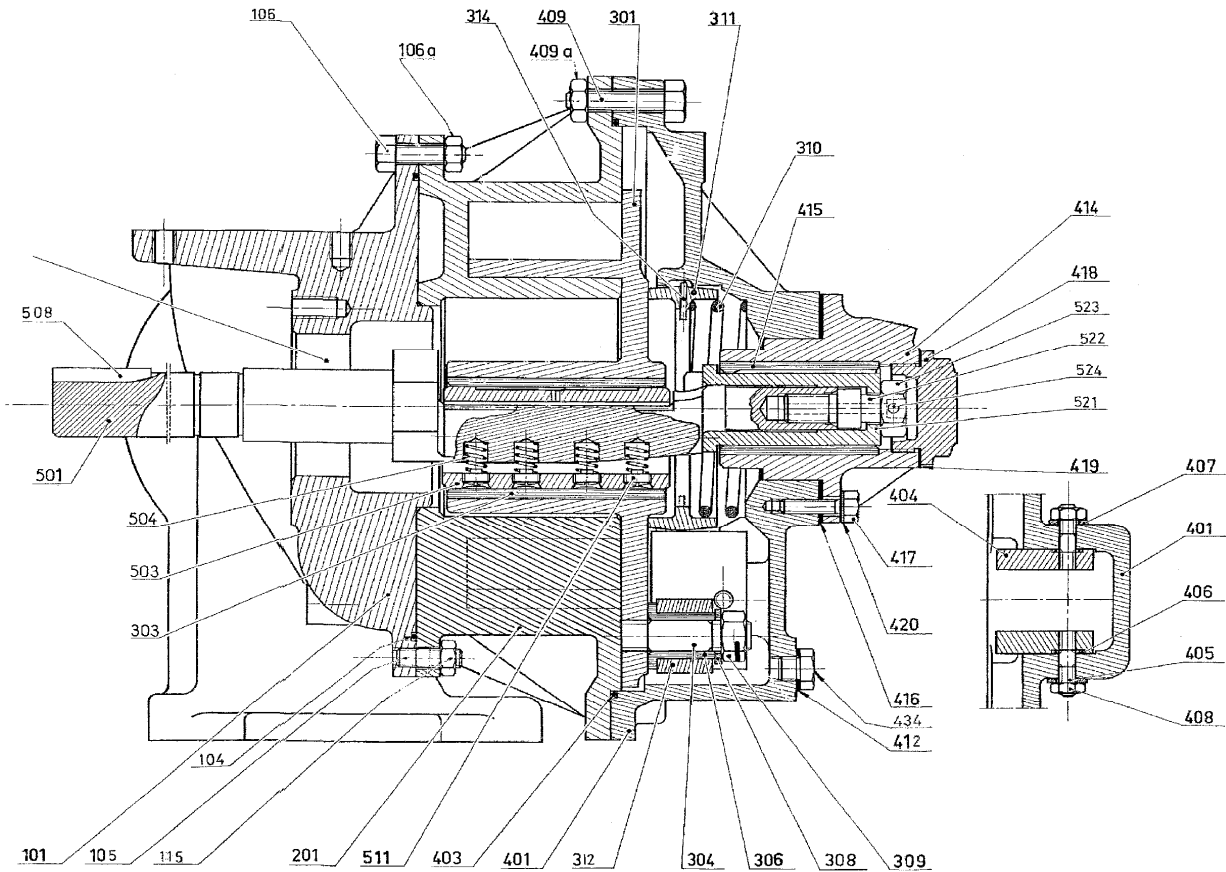
MOUVEX
MODEL :

PARTS LIST
AM O

P.L. : 1003-K01

(See Instructions 1003-K00 for Installation, Operation and Maintenance)

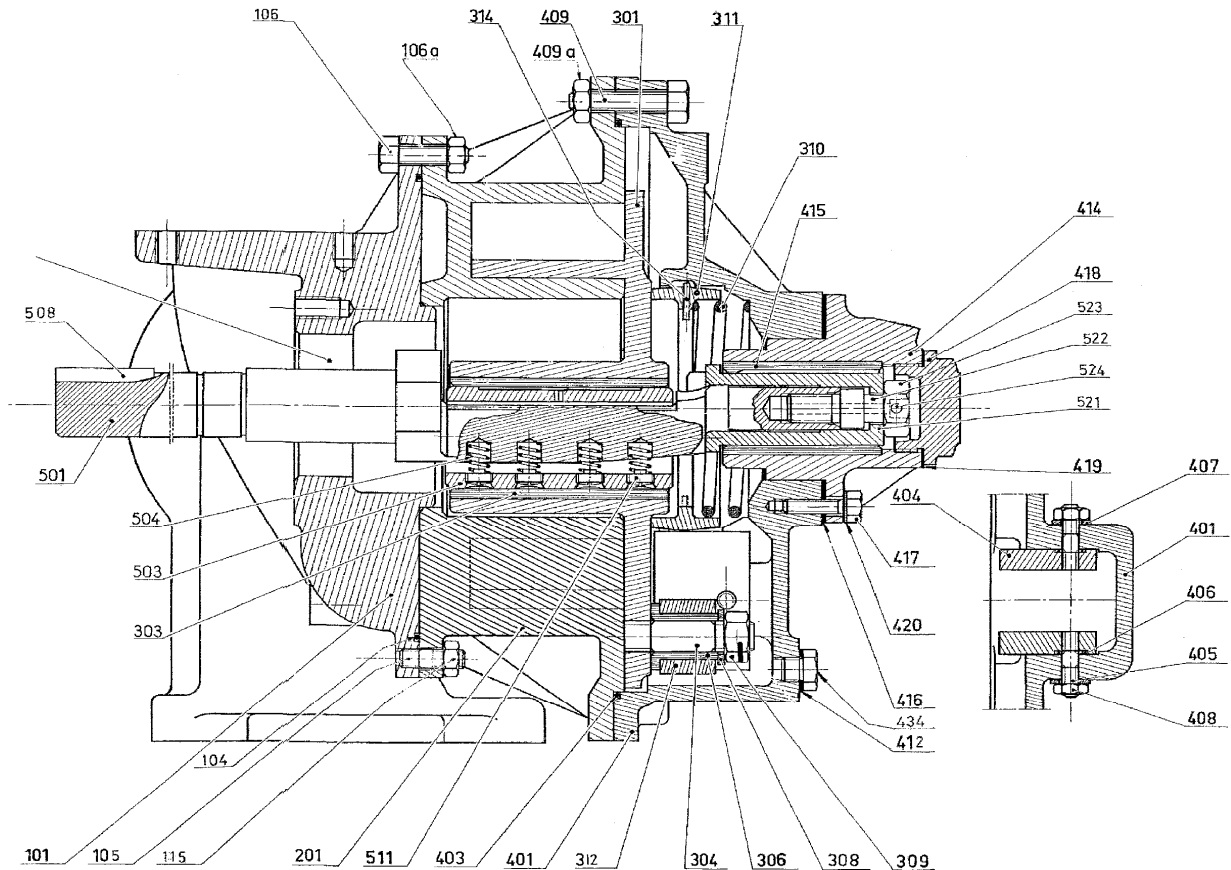
Section	1003
Effective	June 2012
Replaces	November 2011



Reference			Description	Qty order / (in pump)	Article code	
Ass.	Part	Available			AM O	Kit/Part
98		◆	Full set of screws	1	300776.00	
	105		Stud	(4)		
	106		Screw	(6)		
	106a		Nut	(6)		
	115		Nut	(4)		
	409		Screw	(12)		
	409a		Nut	(12)		
	417		Screw	(6)		
	420		Washer	(6)		
99		◆	Full set of seals - FKM	1	300779.00	■
99		◆	Full set of seals - FKM (Heating jacket)	1	305179.00	■
	104		Gasket	(1)		
	403	▲	Front cover seal	1	200842	
	406		Seal	(2)		
	416		Gasket	(1)		
	419		Seal	(1)		
	1002		Seal	(1)		

(◆) Sets of parts or (▲) parts available to order.

■ Kit/Part for maintenance ● Wear parts



Reference			Description	Qty order / (in pump)	Article code	
Ass.	Part	Available			AM O	Kit/Part
100	101	◆	Main body, complete	1	300768.00	
	105		Main body	(1)		
	106		Stud	(4)		
	106a		Screw	(6)		
	106a		Nut	(6)		
	115		Nut	(4)		
200	201	◆	Cylinder, complete	1	300769.01	■ •
	201		Cylinder	(1)		
300		◆	Complete piston - Bronze bushing	1	300770.00	■ •
300		◆	Complete piston - Carbonbushing	1	307369.00	■ •
300		◆	Complete piston (drilled) - Bronze bushing	1	310790.00	■ •
300		◆	Complete piston (drilled) - Carbon bushing	1	310789.00	■ •
	3010		Piston + Block pin	(1)		
	303	▲	Piston bushing (bronze)	1	203631	■ •
	303	▲	Piston bushing (carbon)	1	211350	■ •
	315		Screw (for drilled piston)	(1)		
	398	◆	Slide block, complete	1	300771.00	
	304		Block pin	(1)		
	308		Washer	(1)		
	309		Nut	(1)		
	307	◆	Slide block + bushing	1	300879.00	•
	306		Bushing	(1)		
	312		Slide block	(1)		
399		◆	Guide block, complete	1	300772.00	
	310		Spring	(1)		
	311		Piston rear spring seat	(1)		
	314		Pin	(2)		

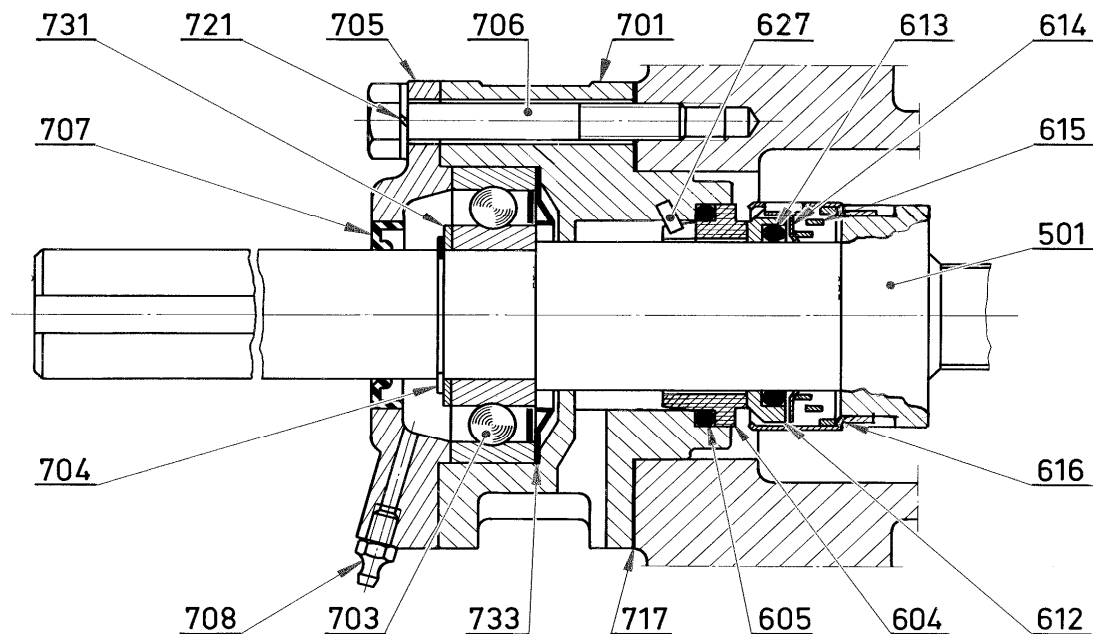
(◆) Sets of parts or (▲) parts available to order.

■ Kit/Part for maintenance • Wear parts

Reference			Description	Qty order / (in pump)	Article code	Kit/Part
Ass.	Part	Available			AM O	
400		◆	Complete front cover - FKM	1	300893.00	
460		◆	Complete front cover with jacket	1	304664.00	
	401		Front cover	(1)		
	461		Jacketed front cover	(1)		
	462		Jacket drain plug	(2)		
	402	◆	Front bushing set - FKM	1	300780.00	•
	402	◆	Front bushing set - PTFE encapsulated FKM	1	300785.04	•
	404		Guide	(2)		
	405		Stud	(2)		
	406		Seal	(2)		
	407		Washer	(2)		
	408		Nut	(2)		
	411	◆	Front cover drain plug + seal	1	300897.00	
	412		Seal	(1)		
	434		Drain plug	(1)		
	403	▲	Front cover seal - FKM	1	200842	
413		◆	Front cover bearing complete - Bronze bushing	1	300774.00	
413		◆	Front cover bearing complete - Carbon bushing	1	307370.00	
	414		Front cover bearing	(1)		
	415	▲	Bearing bushing - Bronze	1	201710	•
	415	▲	Bearing bushing - Carbon	1	211349	•
	416		Gasket	(1)		
	417		Screw	(6)		
	418		Plug	(1)		
	419		Seal	(1)		
	420		Washer	(6)		
500		◆	Shaft Blocdir complete	1	312276.00	
	501	▲	Shaft	1	219471	
	503	▲	Piston bearing	1	203636	•
	508	▲	Key	1	203857	
	598	◆	Bearing spring complete	1	300775.00	
	504		Spring	(4)		
	511		Screw	(4)		
	515	◆	Complete sleeve	1	300902.00	•
	521		Sleeve	(1)		
	522		Screw	(1)		
	523		Nut	(1)		
	524		Pin	(1)		

■ Kit/Part for maintenance • Wear parts

(◆) Sets of parts or (▲) parts available to order.



Reference			Description	Qty order / (in pump)	Article code	
Ass.	Part	Available			AM O	Kit/Part
600		◆	Mechanical seal - Blocdir C/I VT	1	300822.00	●
600		◆	Mechanical seal - Blocdir C/I CVT	1	307554.00	●
600		◆	Mechanical seal - Blocdir HR VT	1	303705.00	●
600		◆	Mechanical seal - Blocdir HR CVT	1	308266.00	●
	610		Stationary seal face complete - Blocdir	(1)		
	604		Stationary seal face	(1)		
	605		Seal	(1)		
	697		Rotating part - Blocdir	(1)		
	612		Seal housing	(1)		
	613		Seal	(1)		
	614		Spring guide	(1)		
	615		Spring	(1)		
	616		Cage	(1)		
	619		Seal mounting tool (for CVT)	(1)		
700		◆	Ball bearings complete	1	300810.00	
	627	▲	Pin	1	200143	
	701		Bearing cage	(1)		
	703	▲	Ball bearing	1	200557	●
	705		Bearing cover	(1)		
	706		Screw	(6)		
	708		Grease nipple	(1)		
	721		Washer	(6)		
	797	◆	Ball bearing washers and gasket set	1	300905.00	
	704		Ring	(1)		
	707		Lip seal	(1)		
	717		Cage seal	(1)		
	731		Washer	(1)		
	733		Protection circlip	(1)		

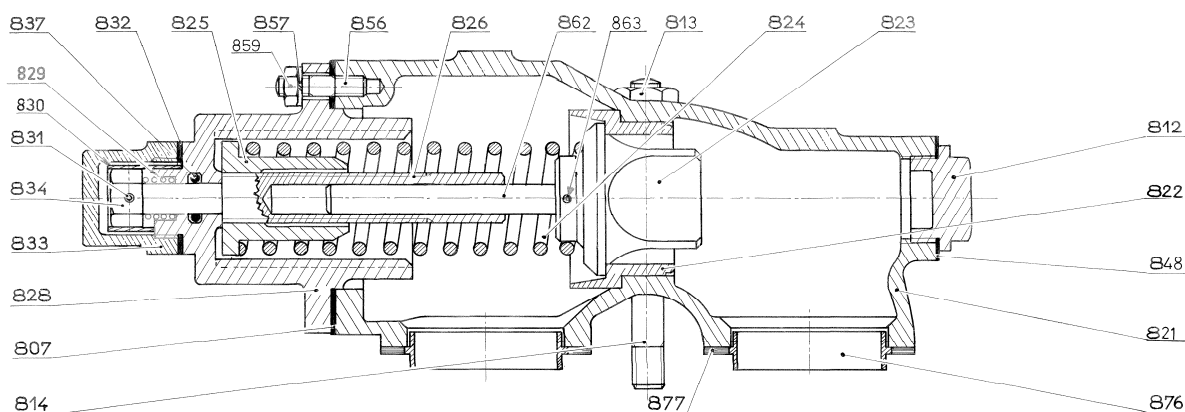
■ Kit/Part for maintenance ● Wear parts

CVT : FEP encapsulated FKM ; FDA : Food and Drug Administration (21 CFR 177 2600)

Mechanical seal :

C/I : Carbon/stainless - HR : Tungsten carbide/tungsten carbide

(◆) Sets of parts or (▲) parts available to order.



Reference			Description	Qty order / (in pump)	Article code	
Ass.	Part	Available			AM O	Kit/Part
820		◆	Bypass C/3 complete - FKM	1	306598.00	
820		◆	Bypass C/4 complete - FKM	1	306601.00	
	870	◆	Bypass body complete	1	300934.00	
	812		Plug	(1)		
	821		Bypass body	(1)		
	822		Seat	(1)		
	848		Seal	(1)		
	856		Stud	(6)		
	857		Washer	(6)		
	859		Nut	(6)		
	824	▲	Spring n°3	1	201201	
	824	▲	Spring n°4	1	201202	
	869	◆	Bypass cap and gasket	1	300740.00	
	832		Seal	(1)		
	833		Cap	(1)		
	878	◆	Centering set	1	300929.00	
	876		Centering piece	(2)		
	877		Centering gasket	(2)		
	897	◆	Adjusting screw/valve set - FKM	1	306590.00	●
	807		Seal	(1)		
	825		Spring guide	(1)		
	826		Adjusting screw	(1)		
	828		Nut	(1)		
	829		Spring	(1)		
	830		Stopper	(1)		
	831		Pin	(1)		
	834		Adjustment nut	(1)		
	837		Seal	(1)		
	864	◆	Complete valve	1	300938.00	
	864O		valve (823 + 862)	(1)		
	823		Compensated valve	(1)		
	862		Valve guide rod	(1)		
	863		Valve securing pin	(1)		
	899	◆	Bypass gasket set - FKM	1	300850.00	
	807		Seal	(1)		
	829		Spring	(1)		
	831		Pin	(1)		
	832		Seal	(1)		
	837		Seal	(1)		
	846		Seal	(1)		
	848		Seal	(1)		
	877		Centering gasket	(2)		

■ Kit/Part for maintenance ● Wear parts

(◆) Sets of parts or (▲) parts available to order.

Reference			Description	Qty order / (in pump)	Article code	Kit/Part
Ass.	Part	Available			AM O	
VARIATIONS						
			COMPLETE COMPENSATED DOUBLE BYPASS			
			The body is different to the standard compensated bypass. The other parts are the same but doubled			
820a		◆	Double bypass C/3 complete - FKM	1	306609.00	
820a		◆	Double bypass C/4 complete - FKM	1	306612.00	
	870a	◆	Double bypass body complete	1	300941.00	
	821a		Double bypass body	(1)		
849		◆	Complete stirrup	1	301651.01	
	852		Stirrup	(1)		
	853		Stud or Screw	(1)		
	854		Plug	(2)		
	877a		Centering gasket	(2)		
To mount a bypass in place of a stirrup will require :						
	817	◆	Mounting kit	1	300693.00	
	813		Nut	(2)		
	814		Stud	(2)		
	815		Washer	(2)		

■ Kit/Part for maintenance • Wear parts

(◆) Sets of parts or (▲) parts available to order.

Keep this parts lists with Installation, Operation and Maintenance Instructions.

CVT : FEP encapsulated FKM



Z.I. la Plaine des Isles - 2 rue des Caillottes F-89000 AUXERRE - France
 Tel : +33 (0)3 86 49 86 30 • Fax : +33 (0)3 86 49 87 17
 contact@mouvex.com • www.mouvex.com