

PARTS LIST
PUMP
AR O

Keep this parts lists with Installation, Operation and Maintenance Instructions.

To order the required spare parts, indicate the desired Reference(s).

- ◆ Sets of parts or parts available to order.

Mechanical seal :

CI : Carbon/Stainless steel

HR : Tungsten carbide/Tungsten carbide

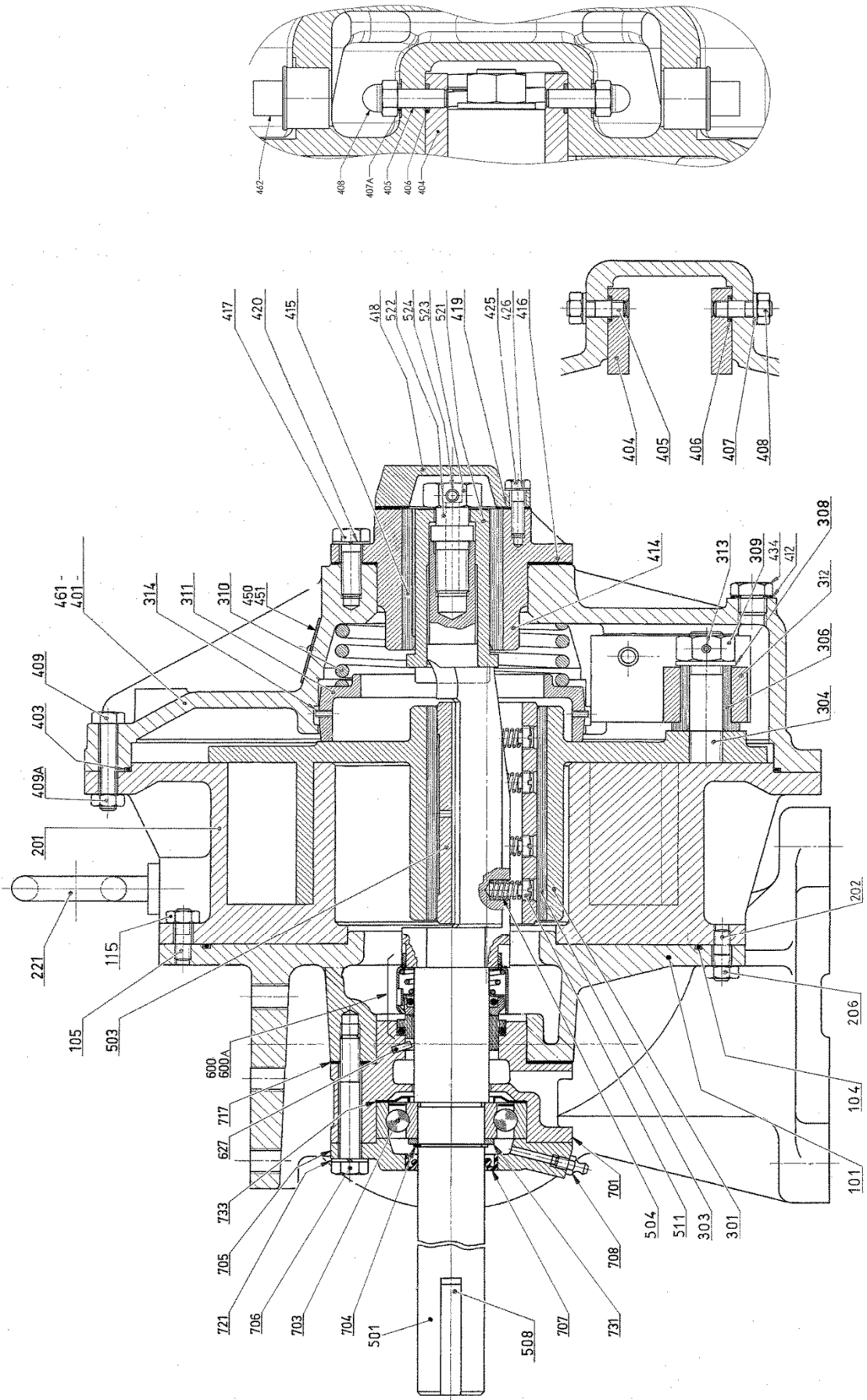
CVT : FEP encapsulated FKM

Z.I. la Plaine des Isles - 2 rue des Caillottes F-89000 AUXERRE - France

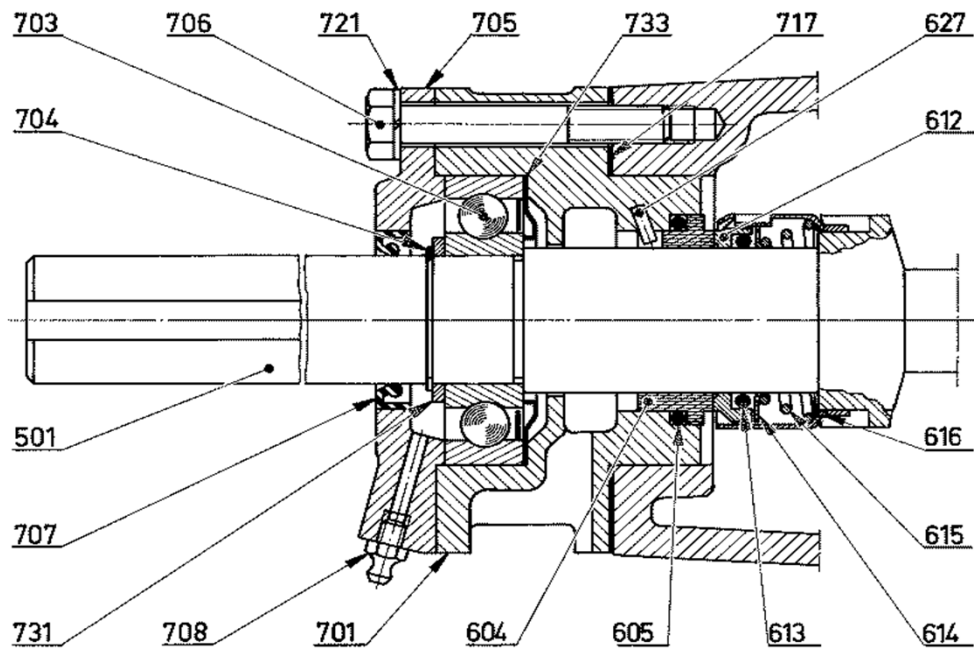
Tel : +33 (0)3 86 49 86 30 • Fax : +33 (0)3 86 49 87 17

contact@mouvex.com • www.mouvex.com

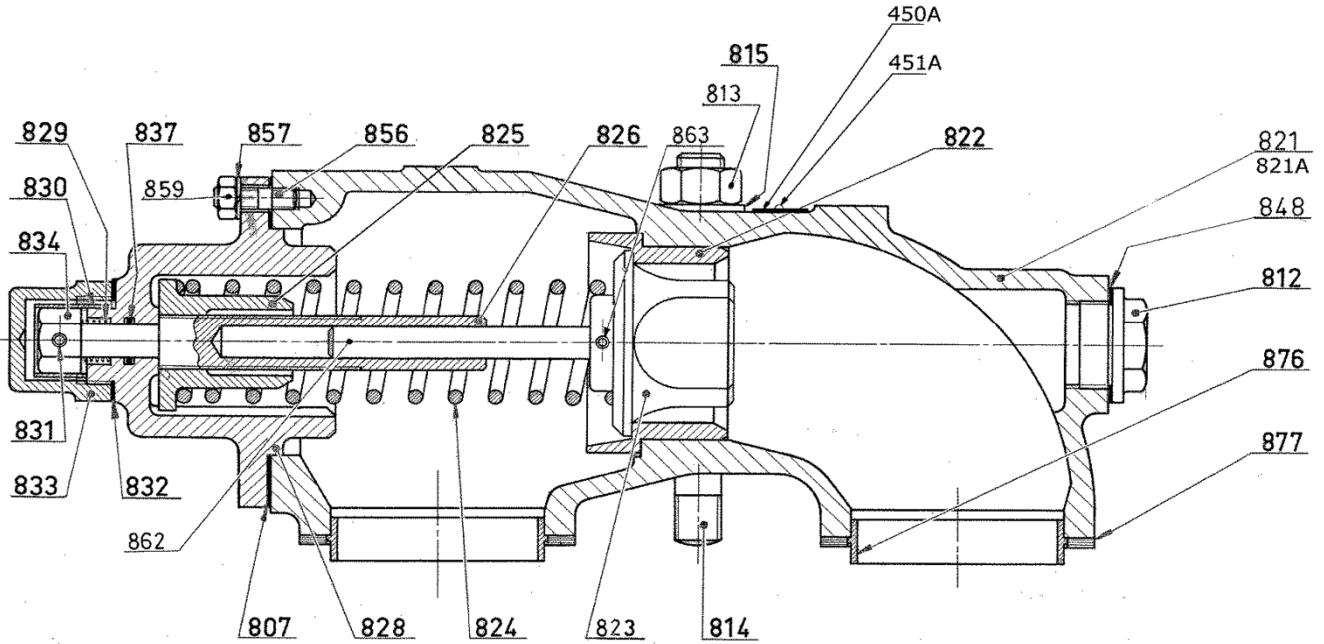
AR O



Mechanical seal



Bypass



AR O

* 1, 2, 4... : Quantity in equipment - (1), (2), (4)... : Quantity in kit

Item	Available	Description	Qty*	Ref.	Maintenance kit	Wear part
98	◆	FULL SET OF SCREWS	1	300960.00		
105		STUD	(10)			
115		NUT	(10)			
202		STUD	(2)			
206		NUT	(2)			
409		SCREW	(15)			
409A		NUT	(15)			
417		SCREW	(6)			
420		WASHER	(6)			
425		SCREW	(5)			
426		WASHER	(5)			
99	◆	SET OF SEALS - JACKETED PUMP	1	305180.00	■	
99	◆	SET OF PUMP SEALS	1	300962.00	■	
104		O-RING	(1)			
403	◆	O-RING	1	200843		
406		SEAL	(4)			
416		SEAL	(1)			
419		SEAL	(1)			
1002		SEAL	(1)			
100	◆	MAIN BODY, COMPLETE	1	300952.00		
101		MAIN BODY	(1)			
105		STUD	(10)			
115		NUT	(10)			
817	◆	SET OF BYPASS FIXING STUDS	1	301048.00		
813		NUT	(2)			
814		STUD	(2)			
815		WASHER	(2)			
200	◆	CYLINDER, COMPLETE	1	300953.01	■	●
201		CYLINDER	(1)			
202		STUD	(2)			
206		NUT	(2)			
221		LIFTING EYE BOLTS	(1)			
300	◆	COMPLETE PISTON - BRONZE BUSHING	1	300954.00	■	●
300	◆	COMPLETE PISTON - CARBON BUSHING	1	307725.00	■	●
3010		PISTON + BLOCK PIN	(1)			
303	◆	PISTON BUSHING (CARBON)	1	211659	■	●
303	◆	PISTON BUSHING (BRONZE)	1	203664	■	●
3980	◆	SLIDE BLOCK, COMPLETE	1	305230.00		
307	◆	SLIDE BLOCK + PIN + BUSHING	1	301049.00		
306		BUSHING	(1)			
312		SLIDE BLOCK	(1)			
313		PIN	(1)			
308		WASHER	(1)			
309		NUT	(1)			
300	◆	COMPLETE PISTON (DRILLED) - CARBON BUSHING	1	310798.00	■	●
300	◆	COMPLETE PISTON (DRILLED) - BRONZE BUSHING	1	310794.00	■	●
3010		PISTON + BLOCK PIN	(1)			
303	◆	PISTON BUSHING (CARBON)	1	211659	■	●
303	◆	PISTON BUSHING (BRONZE)	1	203664	■	●
315		SCREW	(1)			
3980	◆	SLIDE BLOCK, COMPLETE	1	305230.00		
307	◆	SLIDE BLOCK + PIN + BUSHING	1	301049.00		
306		BUSHING	(1)			
312		SLIDE BLOCK	(1)			
313		PIN	(1)			
308		WASHER	(1)			
309		NUT	(1)			

AR O

* 1, 2, 4... : Quantity in equipment - (1), (2), (4)... : Quantity in kit

Item	Available	Description	Qty*	Ref.	Maintenance kit	Wear part
399	◆	GUIDE BLOCK, COMPLETE	1	300956.00		
310		SPRING	(1)			
311		BACK PISTON SUPPORT	(1)			●
314		PIN	(2)			
400	◆	COMPLETE FRONT COVER	1	301681.00		
401		FRONT COVER	(1)			
402	◆	FRONT BUSHING SET	1	300963.00		
404		GUIDE	(2)			●
405		STUD	(4)			
406		SEAL	(4)			
407		WASHER	(4)			
408		NUT	(4)			
411	◆	FRONT COVER DRAIN PLUG + SEAL	1	300897.00		
412		SEAL	(1)			
434		PLUG	(1)			
403	◆	O-RING	1	200843		
413	◆	FRONT COVER BEARING COMPLETE - CARBON BUSHING	1	308308.00		
413	◆	FRONT COVER BEARING COMPLETE - BRONZE BUSHING	1	300958.00		
414		FRONT COVER BEARING	(1)			
415	◆	BEARING BUSHING - CARBON	1	211660	■	●
415	◆	BEARING BUSHING - BRONZE	1	201801	■	●
416		SEAL	(1)			
417		SCREW	(6)			
418		PLUG	(1)			
419		SEAL	(1)			
420		WASHER	(6)			
425		SCREW	(5)			
426		WASHER	(5)			
460	◆	COMPLETE FRONT COVER WITH JACKET	1	304667.00		
402	◆	FRONT BUSHING SET - WITH JACKET	1	304672.00		
404		GUIDE	(2)			●
405		STUD	(4)			
406		SEAL	(4)			
407A		SEAL	(4)			
408		BLIND NUT	(4)			
411	◆	FRONT COVER DRAIN PLUG + SEAL	1	300897.00		
412		SEAL	(1)			
434		PLUG	(1)			
461		COMPLETE FRONT COVER WITH JACKET	(1)			
462		PLUG	(2)			
500	◆	SHAFT BLOCDIR COMPLETE	1	312278.00	■	
501	◆	SHAFT	1	219473		
503	◆	PISTON BEARING	1	203669		●
508	◆	KEY	1	203859		
515	◆	COMPLETE SLEEVE	1	301064.00		●
521		SLEEVE	(1)			
522		SCREW	(1)			
523		NUT	(1)			
524		PIN	(1)			
598	◆	BEARING SPRING COMPLETE	1	300959.00		
504		SPRING	(4)			
511		SCREW	(4)			

AR O

* 1, 2, 4... : Quantity in equipment - (1), (2), (4)... : Quantity in kit

Item	Available	Description	Qty*	Ref.	Maintenance kit	Wear part
600	◆	MECHANICAL SEAL - BLOCDIR C I CVT	1	307562.00	■	
600	◆	MECHANICAL SEAL - BLOCDIR C I VT	1	300999.00	■	
600	◆	MECHANICAL SEAL - BLOCDIR HR CVT	1	307567.00	■	
600	◆	MECHANICAL SEAL - BLOCDIR HR VT	1	303706.00	■	
610		STATIONARY SEAL FACE COMPLETE	(1)			
604		STATIONARY SEAL FACE	(1)			
605		SEAL	(1)			
619		BUSHING FOR CVT MECHANICAL SEAL	(1)			
697		ROTATING PART	(1)			●
612		SEAL HOUSING	(1)			●
613		SEAL	(1)			
614		SPRING GUIDE	(1)			
615		SPRING	(1)			
616		CAGE	(1)			
700	◆	BALL BEARINGS COMPLETE	1	300987.00		
627	◆	PIN	1	200144		
701		BEARING CAGE	(1)			
703	◆	BALL BEARING	1	200559		●
705		BEARING COVER	(1)			
706		SCREW	(6)			
708		GREASE NIPPLE	(1)			
721		WASHER	(6)			
797	◆	BALL BEARING WASHERS AND GASKET SET	1	301067.00		
704		RING	(1)			
707		LIP SEAL	(1)			
717		SEAL	(1)			
731		WASHER	(1)			
733		METALLIC SEAL	(1)			

AR O

* 1, 2, 4... : Quantity in equipment - (1), (2), (4)... : Quantity in kit

Item	Available	Description	Qty*	Ref.	Maintenance kit	Wear part
820	◆	BYPASS C 3 COMPLETE	1	306472.00		
820	◆	BYPASS C 4 COMPLETE	1	306475.00		
824	◆	SPRING N°3	1	201208		
824	◆	SPRING N°4	1	201205		
869	◆	BYPASS CAP AND GASKET	1	300740.00		
832		SEAL	(1)			
833		BYPASS CAP	(1)			
870	◆	BYPASS BODY COMPLETE	1	301092.00		
812		PLUG	(1)			
821		BYPASS BODY	(1)			
822		VALVE SEAT	(1)			
848		SEAL	(1)			
856		STUD	(6)			
857		WASHER	(6)			
859		NUT	(6)			
878	◆	CENTERING SET	1	301087.00		
876		CENTERING PIECE	(2)			
877		CENTERING GASKET	(2)			
897	◆	ADJUSTING SCREW_ VALVE SET	1	306488.00		
807		SEAL	(1)			
825		SPRING GUIDE	(1)			
826		ADJUSTING SCREW	(1)			
828		NUT	(1)			
829		SPRING	(1)			
830		STOPPER	(1)			
831		PIN	(1)			
834		NUT	(1)			
837		O-RING	(1)			
864	◆	COMPLETE VALVE	1	301097.00		
823		COMPENSATED VALVE	(1)			
862		VALVE STEM	(1)			
863		PIN	(1)			
899	◆	SET OF BYPASS SEALS	1	301024.00	■	
807		SEAL	(1)			
829		SPRING	(1)			
831		PIN	(1)			
832		SEAL	(1)			
837		O-RING	(1)			
846		O-RING	(1)			
848		SEAL	(1)			
877		CENTERING GASKET	(2)			

AR O

* 1, 2, 4... : Quantity in equipment - (1), (2), (4)... : Quantity in kit

Item	Available	Description	Qty*	Ref.	Maintenance kit	Wear part
820A	◆	DOUBLE BYPASS C_3 COMPLETE	1	306483.00		
820A	◆	DOUBLE BYPASS C_4 COMPLETE	1	306486.00		
824	◆	SPRING N°3	2	201208		
824	◆	SPRING N°4	2	201205		
869	◆	BYPASS CAP AND GASKET	2	300740.00		
832		SEAL	(1)			
833		BYPASS CAP	(1)			
870A	◆	DOUBLE BYPASS BODY COMPLETE	1	301099.00		
812		PLUG	(2)			
821A		DOUBLE BYPASS BODY	(1)			
822		VALVE SEAT	(2)			
848		SEAL	(2)			
856		STUD	(12)			
857		WASHER	(12)			
859		NUT	(12)			
878	◆	CENTERING SET	1	301087.00		
876		CENTERING PIECE	(2)			
877		CENTERING GASKET	(2)			
897	◆	ADJUSTING SCREW_ VALVE SET	2	306488.00		
807		SEAL	(1)			
825		SPRING GUIDE	(1)			
826		ADJUSTING SCREW	(1)			
828		NUT	(1)			
829		SPRING	(1)			
830		STOPPER	(1)			
831		PIN	(1)			
834		NUT	(1)			
837		O-RING	(1)			
864	◆	COMPLETE VALVE	1	301097.00		
823		COMPENSATED VALVE	(1)			
862		VALVE STEM	(1)			
863		PIN	(1)			
899	◆	SET OF BYPASS SEALS	2	301024.00	■	
807		SEAL	(1)			
829		SPRING	(1)			
831		PIN	(1)			
832		SEAL	(1)			
837		O-RING	(1)			
846		O-RING	(1)			
848		SEAL	(1)			
877		CENTERING GASKET	(2)			
849	◆	COMPLETE STIRRUP	1	301653.01		
852		STIRRUP	(1)			
853		STUD	(1)			
854		PLUG	(2)			
855		CENTERING GASKET	(2)			
888		NUT	(1)			
899	◆	CENTERING GASKET (FOR STIRRUP)	2	201866	■	