

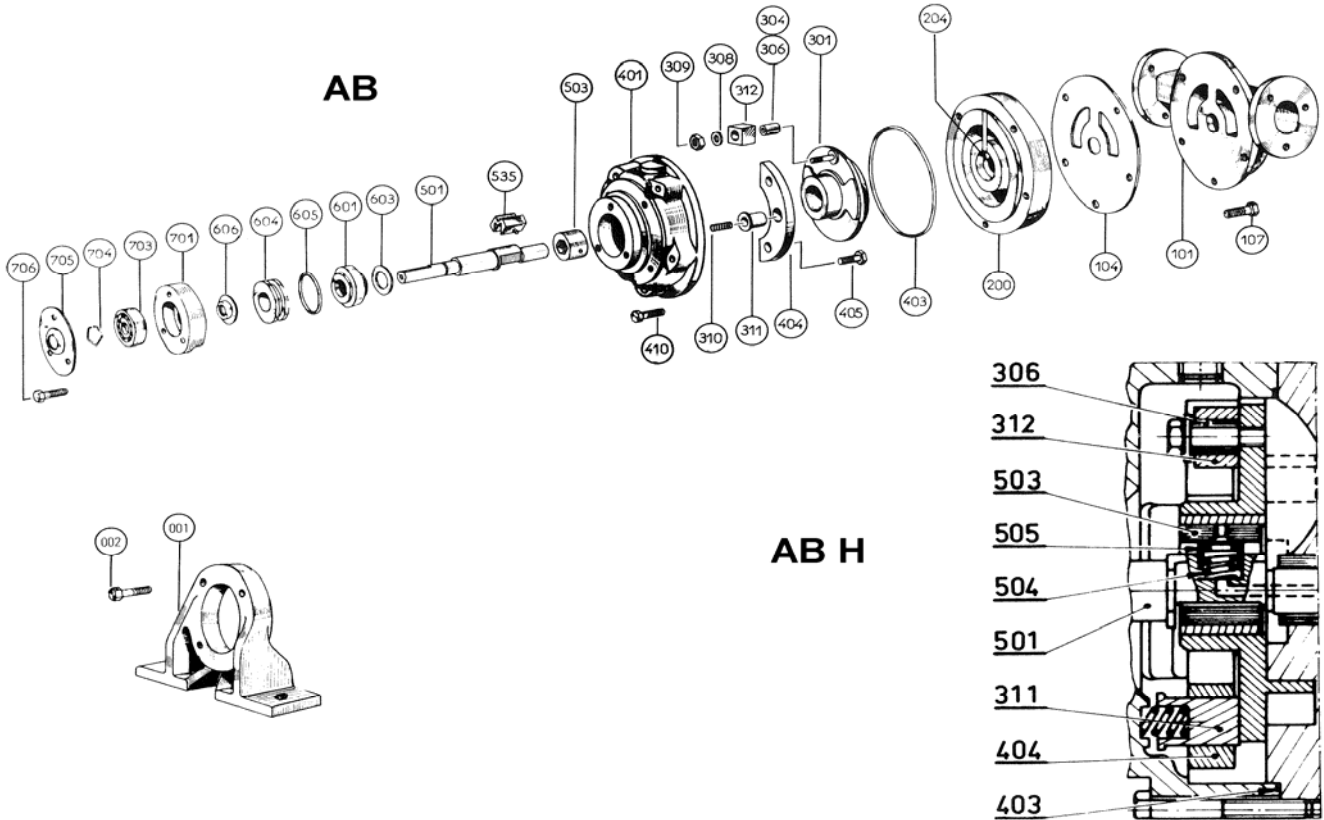
**BLACKMER**  
MODEL :

**PARTS LIST**  
**POMPES AB - AB H**

P.L. : **1005-A01**

(See Instructions **1005-A00** for Installation, Operation and Maintenance)

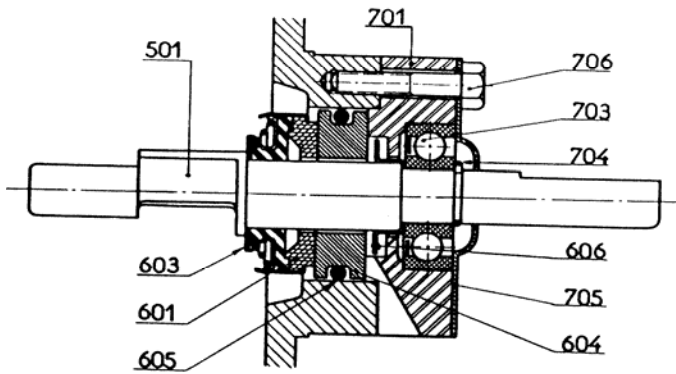
Section	1005
Effective	October 2005
Replaces	July 2004



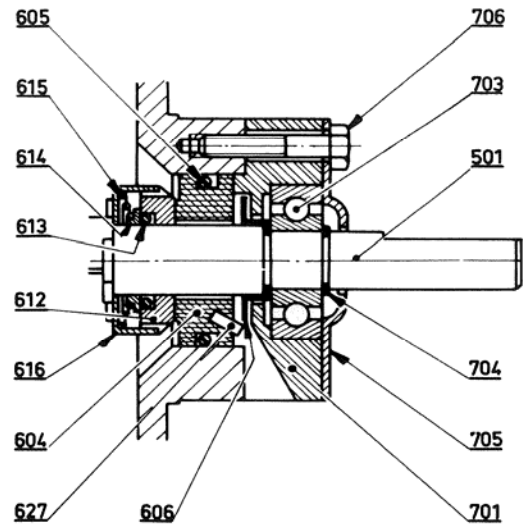
Reference			Description	Quantity		ARTICLE CODE		Wear parts
Ass.	Part	Available		Order	In Pump	AB	AB H	
98		◆	<b>Full set of screws</b>	1		301278.00		
	107		Screw		(5)			
	410		Screw		(5)			
	706		Screw		(3)			
99		◆	<b>Full set of seals NITRILE</b>	1		301279.00		
99		◆	<b>Full set of seals FKM</b>	1			301280.00	
	104		Gasket		(1)			
	403		Seal		(1)			
101		◆	<b>Main body</b>	1		203453		
200		◆	<b>Cylinder, complete</b>	1		301265.00		•
	201		Cylinder		(1)			
	203		Bulkhead		(1)			
	204		Nut		(1)			
300		◆	<b>Complete piston</b>	1		303003.00   303004.00		•
	301		Piston		(1)			
	398	◆	<b>Slide block, complete</b>	1		301266.00   301267.00		•
	304		Block pin		(1)			
	306		Bushing		(1)			
	308		Washer		(1)			
	309		Nut		(1)			
	312		Slide block		(1)			

<b>400</b>		◆	<b>Complete front cover NITRILE</b>	1		<b>301268.00</b>		
<b>400</b>		◆	<b>Complete front cover FKM</b>	1			<b>301269.00</b>	
	401		Front cover		(1)			
	412		Seal		(1)			
	434		Drain plug		(1)			
	402	◆	Front bushing set and spring guide	1		301270.00	301271.00	•
	310		Spring		(2)			
	311		Piston rear - support		(2)			
	404		Guide (AB H : quantity 1)		(2)			
	405		Screw		(4)			
<b>403</b>		▲	<b>Front cover seal NITRILE</b>	1		200824		
<b>403</b>		▲	<b>Front cover seal FKM</b>	1			200828	
<b>500</b>		◆	<b>Shaft complete</b>	1		<b>301272.00</b>	<b>312266.02</b>	
	501		Shaft		(1)			
	503		Piston bearing		(1)			
	535		Stirrup (only available in construction AB)		(1)			
	598	◆	Bearing spring (only available in construction AB H)	1			300238.00	
	504		Spring		(1)			
	505		Bushing		(1)			

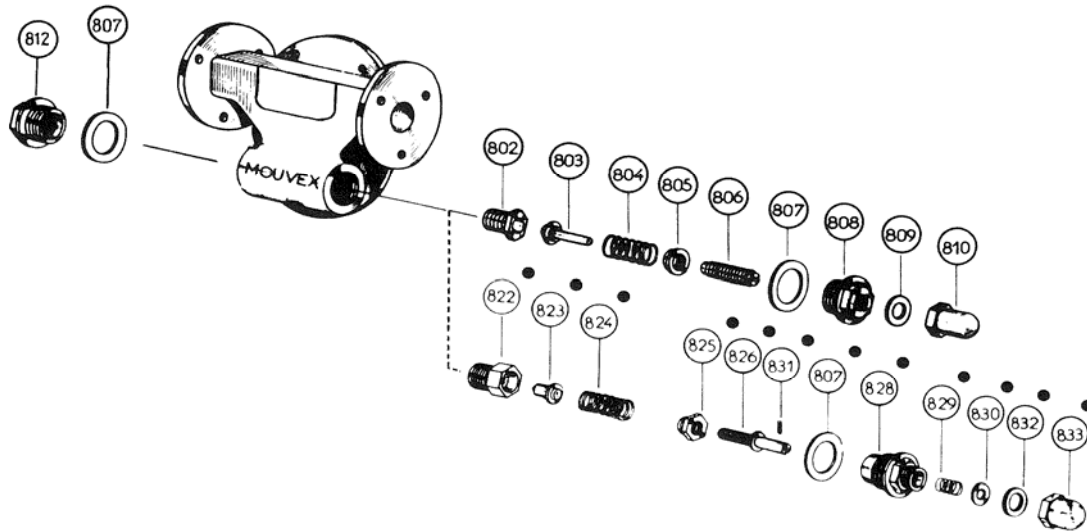
**MONOSIR AB**



**MONODIR AB H**



Reference			Description	Quantity		ARTICLE CODE		Wear parts
Ass.	Part	Available		Order	In Pump	AB	AB H	
600		◆	<b>Mechanical seal Monosir</b>	1		301275.00		•
	601		Cyclam		(1)			
	603		Washer		(1)			
	604		Stationary seal face		(1)			
	605		Seal		(1)			
	606		Washer		(1)			
600		◆	<b>Mechanical seal Monodir LR/VT</b>	1			301276.00	•
	604		Stationary seal face		(1)			
	605		Seal		(1)			
	606		Washer		(1)			
	612		Seal housing		(1)			
	613		Seal		(1)			
	614		Spring guide		(1)			
	615		Spring		(1)			
	616		Driver		(1)			
	627		Pin		(1)			
699		◆	<b>Full set of mounting screws NITRILE</b>	1		301281.00		
699		◆	<b>Full set of mounting screws FKM</b>	1			301282.00	
	605		Seal		(1)			
	613		Gasket (only available in construction AB H)		(1)			
	704		Ring		(1)			
700		◆	<b>Ball bearings</b>	1		301277.00		
	701		Bearing cage		(1)			
	703	▲	Ball bearing	1		200545		•
	704		Ring		(1)			
	705		Bearing cover		(1)			



Reference			Description	Quantity		ARTICLE CODE		Wear parts
Ass.	Part	Available		Order	In Pump	AB	AB H	
800		◆	Bypass complete	1		300278.00		
	804	▲	Spring	1		201171		
	810	▲	Bypass cap	1		203388		
	812	▲	Plug	1		204129		
	897	◆	Set valve seat	1		300279.00		•
	802		Valve seat		(1)			
	803		Valve		(1)			
	805		Spring guide		(1)			
	898	◆	Set adjusting screw	1		300280.00		
	806		Adjusting screw		(1)			
	808		Adjusting screw housing		(1)			
	899	◆	Bypass gasket set	1		300281.00		
	807		Seal		(1)			
	809		Seal		(1)			
	848		Seal		(1)			

◆ Sets of parts or (▲) parts available to order

Keep this parts lists with Installation, Operation and Maintenance Instructions  
To order the required spare parts, indicate the appropriate CUM numbers



ZI la Plaine des Isles - 2 Rue des Caillottes 89000 AUXERRE - FRANCE  
Tél. : +33 3.86.49.86.40 or +33 3 86.49.87.09 - Fax : +33 3.86.49.87.17  
E-Mail : [contact@blackmer-mouvex.com](mailto:contact@blackmer-mouvex.com) Internet : [www.blackmer.com](http://www.blackmer.com)