

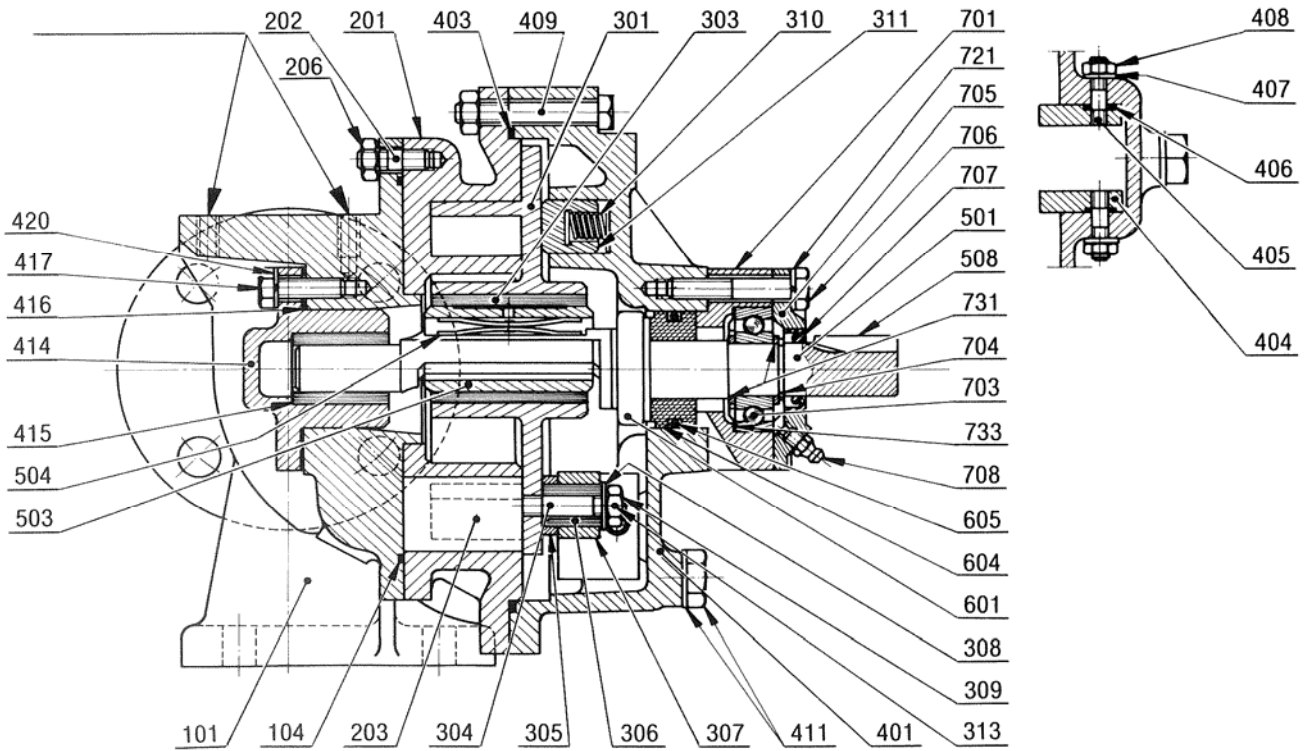
BLACKMER
MODEL :

PARTS LIST
POMPES AF TM - AF TM H

P.L. : 1005-C01

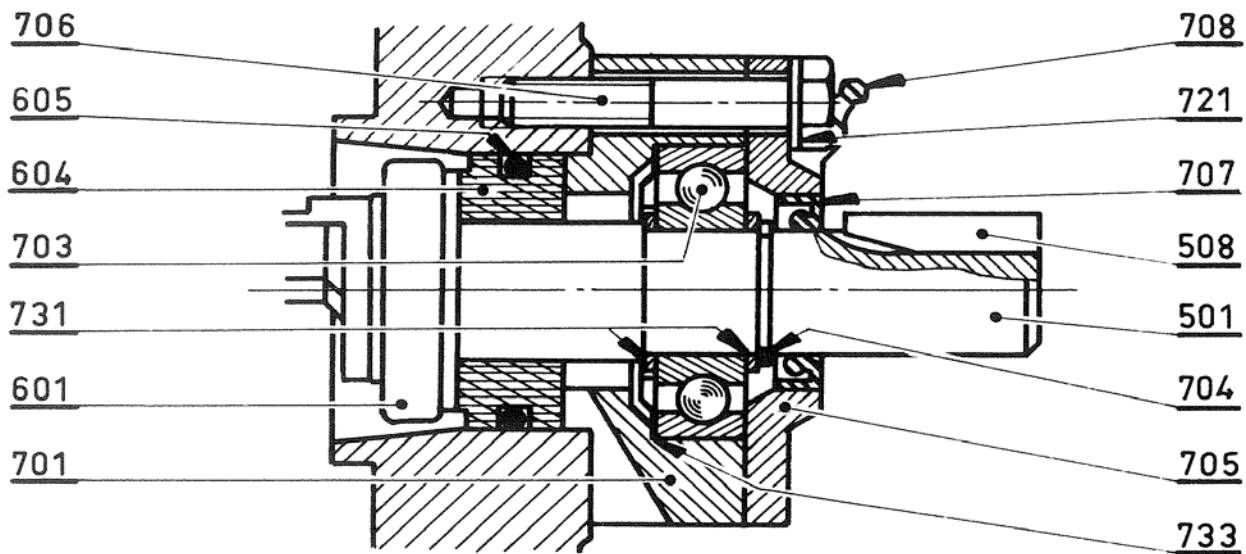
See Instructions **1005-C00** for Installation, Operation and Maintenance)

Section	1005
Effective	October 2005
Replaces	July 2004

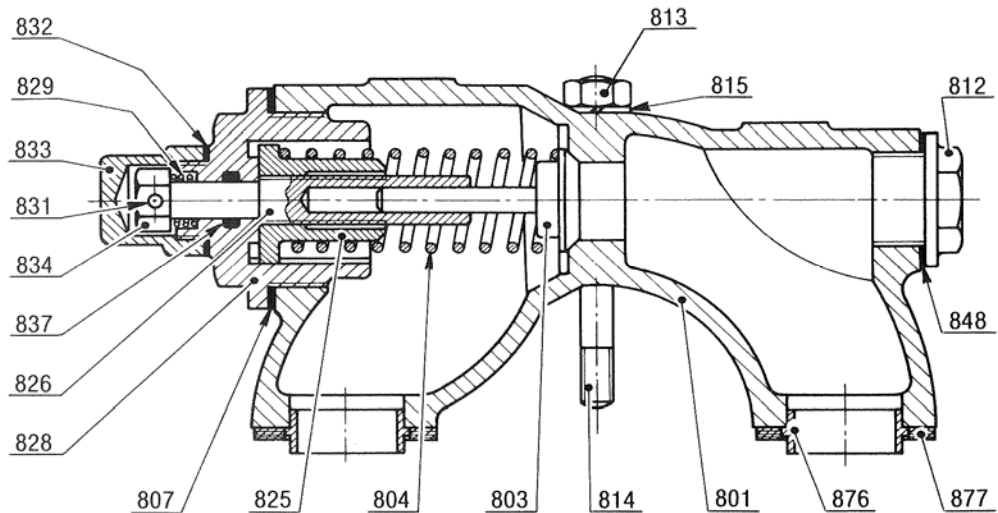


Reference			Description	Quantity		ARTICLE CODE		Wear parts
Ass.	Part	Available		Order	In Pump	AF TM	AF TM H	
98		◆	Full set of screws	1		301332.00		
	202		Stud		(8)			
	206		Nut		(8)			
	409		Screw		(6)			
	409a		Nut		(6)			
	417		Screw		(4)			
	420		Nut		(4)			
	706		Screw		(4)			
	721		Washer		(4)			
99		◆	Full set of seals	1		301333.00	301339.00	
	104		Gasket		(1)			
	403		Seal		(1)			
	406		Seal		(2)			
	416		Gasket		(1)			
100		◆	Main body, complete	1		300445.00		
	101		Main body		(1)			
	817	◆	Mounting kit	1		300447.00		
	813		Nut		(2)			
	814		Stud		(2)			
	815		Washer		(2)			
200		◆	Cylinder, complete	1		300448.00		●
	201		Cylinder		(1)			
	202		Stud		(8)			
	203	▲	Bulkhead	1		201360		
	206		Nut		(8)			

300		◆	Complete piston	1		301328.00	301337.00	•
	301		Piston		(1)			
	303	▲	Bushing	1		201366		
	398	◆	Slide block, complete	1		301659.00	300456.00	•
	304		Block pin		(1)			
	305		Abutment		(1)			
	308		Washer		(1)			
	309		Nut		(1)			
	307	◆	Slide block + pin + bushing	1		301329.00	300459.00	
	306		Bushing		(1)			
	312		Slide block		(1)			
	313		Pin		(1)			
399		◆	Guide block, complete	1		301330.00	300462.00	
	310		Spring		(3)			
	311		Piston rear - support		(3)			
400		◆	Complete front cover	1		300465.00	300484.00	
	401		Front cover		(1)			
	411	◆	Drain plug	1		300127.00	300036.00	
	412		Washer		(1)			
	434		Drain plug		(1)			
	402	◆	Front bushing set	1		300467.00	300486.00	•
	404		Guide		(2)			
	405		Stud		(2)			
	406		Seal		(2)			
	407		Washer		(2)			
	408		Nut		(2)			
403		▲	Front cover seal	1		200859	200834	
500		◆	Shaft complete	1		301331.00	301338.00	
	501		Shaft		(1)			
	503	▲	Piston bearing	1		203509		•
	504	▲	Spring	1		201397		
	508	▲	Key	1		204523		



Reference			Description	Quantity		ARTICLE CODE		Wear parts
Ass.	Part	Available		Order	In Pump	AF TM	AF TM H	
600		◆	Mechanical seal Monosir	1		301334.00		•
	601		Cyclam		(1)			
	604		Stationary seal face		(1)			
	605		Seal		(1)			
	614		Spring guide		(1)			
600		◆	Mechanical seal Blocdir LR/VT	1			300387.00	•
	610	◆	Stationary seal face Complete	1			301306.00	
	604		Stationary seal face		(1)			
	605		Seal		(1)			
	697	◆	Rotating part Blocdir	1			300375.00	
	612		Seal housing		(1)			
	613		Seal		(1)			
	614		Spring guide		(1)			
	615		Spring		(1)			
	616		Cage		(1)			
	699	◆	Full set of mounting screws NITRILE	1		304327.00		
	699	◆	Full set of mounting screws FKM	1			300513.00	
	605		Seal		(1)			
	613		Seal		(1)			
	733		Circlip		(1)			
	704		Ring		(1)			
700		◆	Ball bearings	1		301335.00	300514.00	
	627		Pin (only available in construction AF TM H)		(1)			
	701		Bearing cage		(1)			
	703	▲	Ball bearing	1		212314		•
	705		Bearing cover		(1)			
	706		Screw		(4)			
	708		Grease nipple		(1)			
	721		Washer		(4)			
	797	◆	Ball bearing washers and gasket set	1		301336.00	300505.00	
	704		Ring		(1)			
	707		Seal		(1)			
	717		Seal (only available in construction AF TM H)		(1)			
	731		Washer		(2)			
	733		Circlip		(1)			



Reference			Description	Quantity		ARTICLE CODE		Wear parts
Ass.	Part	Available		Order	In Pump	AF TM	AF TM H	
800		◆	Bypass complete	1		300571.00	302507.00	
	804	▲	Spring	1		201179		
	860	◆	Body equipped	1		300535.00		
	801		Body		(1)			
	812		Plug		(1)			
	848		Seal		(1)			
	869	◆	Cap	1		300541.00		
	832		Seal		(1)			
	833		Cap		(1)			
	878	◆	Centering set	1		300539.00		
	876		Centering piece		(2)			
	877		Gasket		(2)			
	898	◆	Set adjusting screw	1		300543.00	306922.00	
	803		Valve + stem		(1)			
	807		Seal		(1)			
	825		Spring guide		(1)			
	826		Adjusting screw		(1)			
	828		Nut		(1)			
	829		Spring		(1)			
	831		Pin		(1)			
	834		Adjustment nut		(1)			
	837		Seal		(1)			
	899	◆	Bypass gasket set	1		300548.00	303248.00	
	807		Seal		(1)			
	829		Spring		(1)			
	831		Pin		(1)			
	832		Seal		(1)			
	837		Seal		(1)			
	846		Seal		(1)			
	848		Seal		(1)			
	877		Centering gasket		(2)			
	893		Seal (only available in construction AF TM)		(1)			

◆ Sets of parts or (▲) parts available to order

Keep this parts lists with Installation, Operation and Maintenance Instructions

To order the required spare parts, indicate the appropriate CUM numbers



ZI la Plaine des Isles - 2 Rue des Caillottes 89000 AUXERRE - FRANCE
 Tél. : +33 3.86.49.86.40 or +33 3 86.49.87.09 - Fax : +33 3.86.49.87.17
 E-Mail : contact@blackmer-mouvex.com Internet : www.blackmer.com